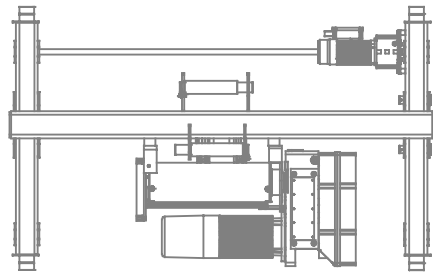


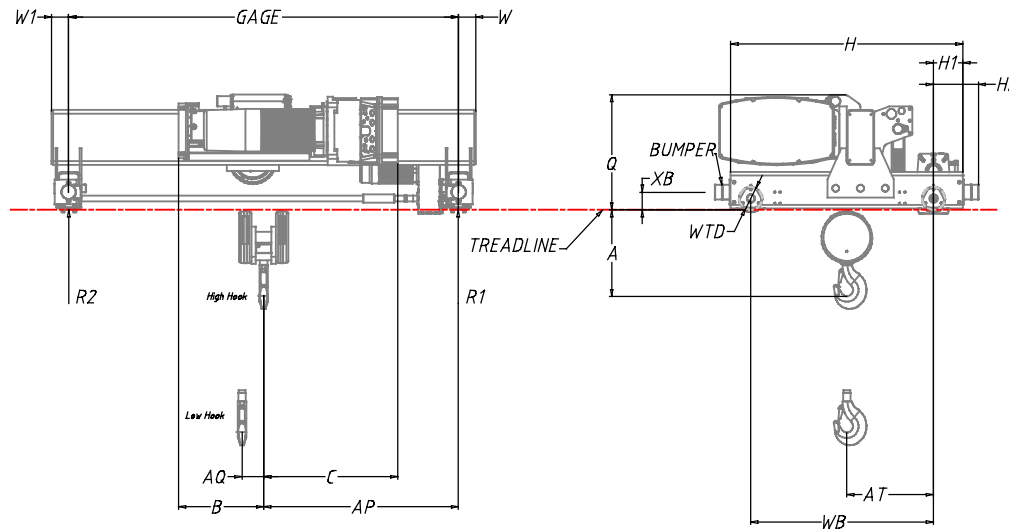
# Yale YK Wire Rope Hoist

Top-Running Hoist and Trolley



CATALOG DRAWING - NOT TO SCALE. MAY NOT ACCURATELY REFLECT THE ACTUAL PRODUCT CONFIGURATION

Accurate CAD models of the configured product are available in both 2D and 3D versions.



## DIMENSIONAL DATA

A	19.49 INCH	AP	35.124 INCH
B	32.97 INCH	AQ	7.76 INCH
C	26.61 INCH	AT	15.77 INCH
H	50 INCH	W	3.66 INCH
H1	6.3 INCH	W1	3.66 INCH
HE	9.69 INCH	WB	39.37 INCH
Q	24.79 INCH	WTD	4.92 INCH
Gage	78 INCH	XB	3.82 INCH

This document was generated by COMPASS®  
by Columbus McKinnon Corporation  
Getzville, New York USA

This drawing is intended for preliminary reference use only and depicts general clearance dimensions based on standard product configuration. If your application includes specific critical dimensional constraints it is recommended that an Approval Drawing be requested at time of order.

Customer Name: QUOTATIONS CUSTOMER  
Quote Number: 8BLHF, Line: 1  
Revision Number: 1  
Quote Date: 3/27/2020

## TECHNICAL DATA

Hoist Platform	GN Wire Rope Hoist
Hoist Model Number	YKC-T09-033S420-2-78
Rated Lift Capacity	9 U.S. tons
Maximum Lift Distance	33 ft (10.1 m)
Maximum Lifting Speed	20 ft/min (6.1 m/min)
Reeving Style	4-Part Single-Reeved
Hoist Control Type	Two-Speed
Hoist Suspension Type	Top Running Low Profile
Bridge Rail Size Min. (lb/yd)	25#
Bridge Rail Size Max.	40#
Trolley Traverse Speed (60Hz)	80 ft/min (24.38 m/min)
Trolley Control Type	Two-Speed
Trolley Bumpers	Included
Hoist Duty Classification	HMI Class H4
Operating Voltage	460V / 3ph / 60Hz
Control Voltage	120 VAC
Trolley Motor HP	0.9
Trolley Motor Qty	1
Base Weight of Hoist (lbs)	1779.5453

