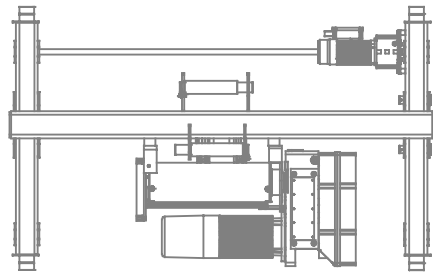


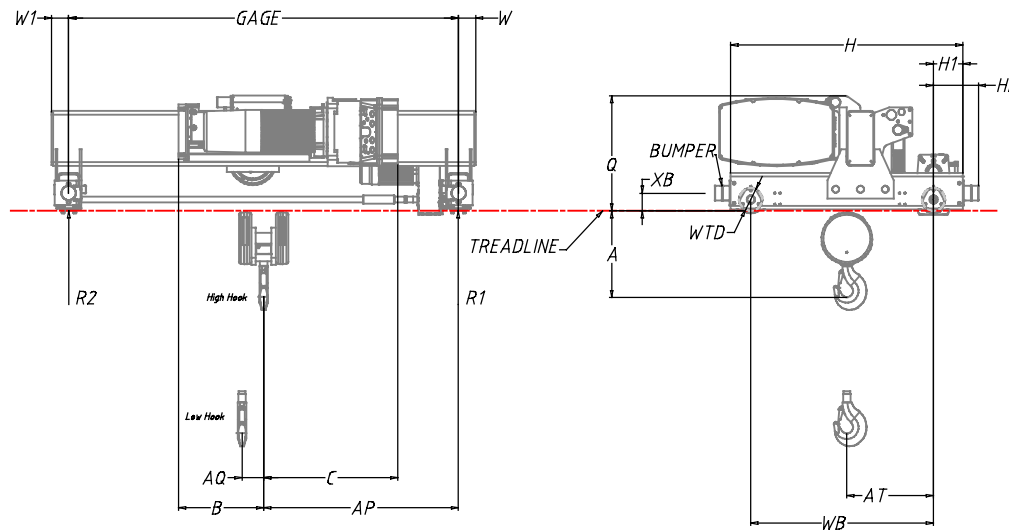
Yale YK Wire Rope Hoist

Top-Running Hoist and Trolley



CATALOG DRAWING - NOT TO SCALE. MAY NOT ACCURATELY REFLECT THE ACTUAL PRODUCT CONFIGURATION

Accurate CAD models of the configured product are available in both 2D and 3D versions.



DIMENSIONAL DATA

| | | | |
|------|------------|-----|-------------|
| A | 19.49 INCH | AP | 33.736 INCH |
| B | 20.57 INCH | AQ | 4.65 INCH |
| C | 26.61 INCH | AT | 15.77 INCH |
| H | 50 INCH | W | 3.66 INCH |
| H1 | 6.3 INCH | W1 | 3.66 INCH |
| HE | 9.69 INCH | WB | 39.37 INCH |
| Q | 24.79 INCH | WTD | 4.92 INCH |
| Gage | 72 INCH | XB | 3.82 INCH |

This document was generated by COMPASS® by Columbus McKinnon Corporation
Getzville, New York USA

This drawing is intended for preliminary reference use only and depicts general clearance dimensions based on standard product configuration. If your application includes specific critical dimensional constraints it is recommended that an Approval Drawing be requested at time of order.

Customer Name: QUOTATIONS CUSTOMER
Quote Number: 79VZ6, Line: 1
Revision Number: 1
Quote Date: 3/27/2020

TECHNICAL DATA

| | |
|-------------------------------|-------------------------|
| Hoist Platform | GN Wire Rope Hoist |
| Hoist Model Number | YKC-T07-020S420-2-72 |
| Rated Lift Capacity | 7.5 U.S. tons |
| Maximum Lift Distance | 20 ft (6.1 m) |
| Maximum Lifting Speed | 20 ft/min (6.1 m/min) |
| Reeving Style | 4-Part Single-Reeved |
| Hoist Control Type | Two-Speed |
| Hoist Suspension Type | Top Running Low Profile |
| Bridge Rail Size Min. (lb/yd) | 25# |
| Bridge Rail Size Max. | 40# |
| Trolley Traverse Speed (60Hz) | 80 ft/min (24.38 m/min) |
| Trolley Control Type | Two-Speed |
| Trolley Bumpers | Included |
| Hoist Duty Classification | H4+ |
| Operating Voltage | 460V / 3ph / 60Hz |
| Control Voltage | 120 VAC |
| Trolley Motor HP | 0.9 |
| Trolley Motor Qty | 1 |
| Base Weight of Hoist (lbs) | 1715.4506 |

