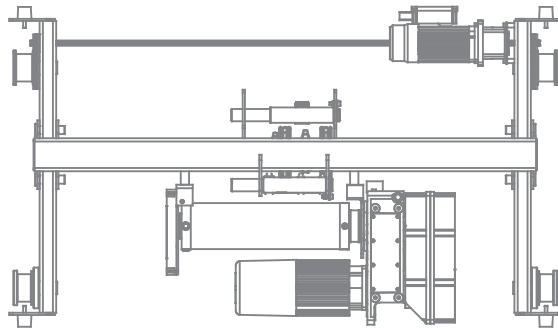


Yale YK Wire Rope Hoist

Top-Running Hoist and Trolley



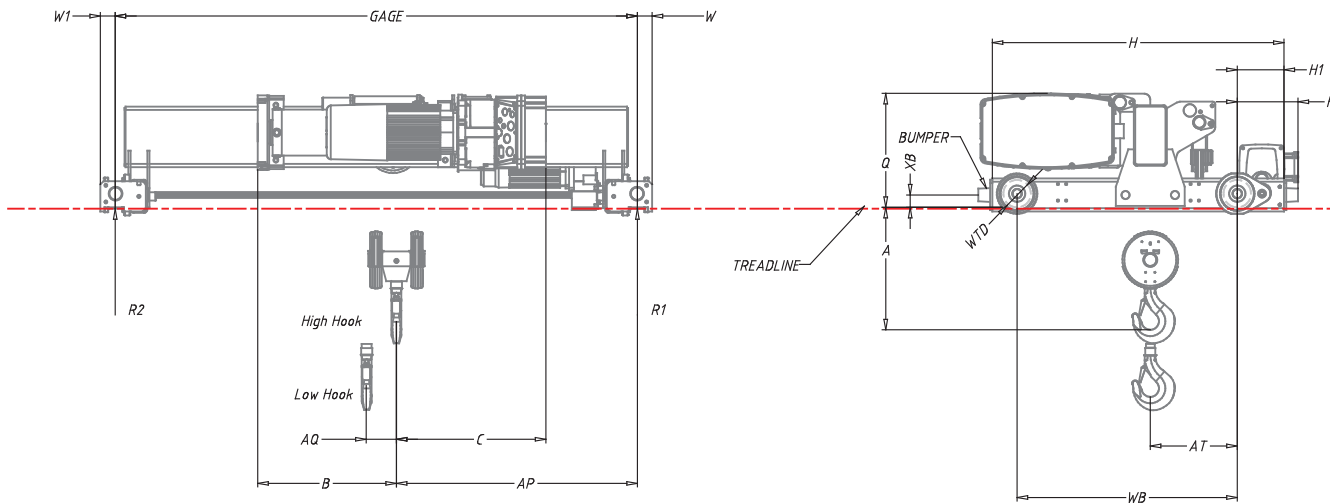
CATALOG DRAWING - NOT TO SCALE. MAY NOT ACCURATELY REFLECT THE ACTUAL PRODUCT CONFIGURATION

Accurate CAD models of the configured product are available in both 2D and 3D versions.

Customer Name: QUOTATIONS CUSTOMER
 Quote Number: KXGNB, Line: 1
 Revision Number: 1
 Quote Date: 4/1/2020

TECHNICAL DATA

Hoist Platform	GN Wire Rope Hoist
Hoist Model Number	YKB-T04-020S420-2-66
Rated Lift Capacity	4 U.S. tons
Maximum Lift Distance	20 ft (6.1 m)
Maximum Lifting Speed	20 ft/min (6.1 m/min)
Reeving Style	4-Part Single-Reeved
Hoist Control Type	Two-Speed
Hoist Suspension Type	Top Running Low Profile
Bridge Rail Size Min. (lb/yd)	25#
Bridge Rail Size Max. (lb/yd)	40#
Trolley Traverse Speed (60Hz)	80 ft/min (24.38 m/min)
Trolley Control Type	Two-Speed
Trolley Bumpers	Included
Hoist Duty Classification	HMI Class H4
Operating Voltage	460V / 3ph / 60Hz
Control Voltage	120 VAC
Trolley Motor HP	0.9
Trolley Motor Qty	1
Base Weight of Hoist (lbs)	826.56



DIMENSIONAL DATA

A	17.32 INCH	AP	30.12 INCH
B	19.83 INCH	AQ	4.33 INCH
C	21.37 INCH	AT	12.44 INCH
H	41.73 INCH	W	1.97 INCH
H1	6.69 INCH	W1	1.97 INCH
HE	8.7 INCH	WB	31.49 INCH
Q	16.26 INCH	WTD	3.94 INCH
Gage	66 INCH	XB	1.97 INCH

This document was generated by COMPASS®
 by Columbus McKinnon Corporation
 Getzville, New York USA

This drawing is intended for preliminary reference use only and depicts general clearance dimensions based on standard product configuration. If your application includes specific critical dimensional constraints it is recommended that an Approval Drawing be requested at time of order.

