



CE Series-FEW Series, Wire Rope Electric Hoist SPARE PARTS MANUAL

IMPORTANT IF MOTOR PARTS ARE REQUIRED GIVE COMPLETE MOTOR NAMEPLATE READING
WHEN ORDERING HOIST PARTS GIVE COMPLETE HOIST NAMEPLATE READING AND NUMBER OF PARTS REQUIRED

Yale[®]

Capacity, tons _____

Speed, fpm _____

Model _____

Serial No. _____

Volts _____ Phase _____ Hz. _____

Min. Circuit Ampacity _____

Max. Fuse Rating _____

Order no. _____

Yale Industrial Products, Inc.
Highway 1 North
P. O. Box 1000
Forrest City, Arkansas 72335
Telephone (501) 633-2250

CAUTION

NEVER REMOVE PAGES FROM THIS BOOK.

ALWAYS STATE WHETHER PARTS ARE TO BE SHIPPED BY PARCEL POST, EXPRESS OR FREIGHT.

FURNISHING COMPLETE INFORMATION WILL SAVE TIME AND AID US IN SERVING YOU.

SEE REPAIR PARTS ORDERING INFORMATION IN SECTION B

109-901-004

When Replacement Parts Are Needed, Order Only **YALE[®]** Factory Engineered Parts



SECTION F
SUSPENSION FRAME, DRUM
AND ROPE ASSEMBLY

CE Series
Suspension Parts PE CHASSIS
LUG MOUNTED

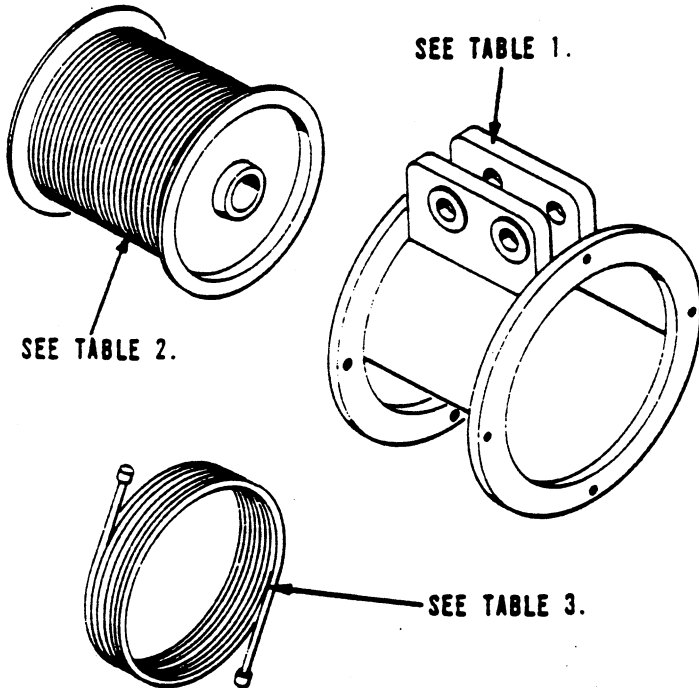


TABLE 2. DRUMS

CAPACITY	LIFT IN FEET	PART NUMBER
5	21	0103427-00
5	63	0103495-00
5	86	0651289-00
6	18	0103429-00
6	36	0103436-00
6	54	0103496-00
6	75	0103498-00
7 1/2	18	0103429-00
7 1/2	36	0103436-00
7 1/2	54	0103496-00

TABLE 1. SUSPENSION PARTS

CAPACITY	LIFT IN FEET	PART NUMBER
5	21	6401437-00
5	63	5000387-00
5	86	5003446-00
6	18	5003366-00
6	36	6401447-00
6	54	5000387-00
6	75	5003446-00
7 1/2	18	6401437-00
7 1/2	36	6401447-00
7 1/2	54	5000387-00

TABLE 3. ROPE ASSEMBLY

CAPACITY	LIFT IN FEET	PART NUMBER
5	21	5019500-13
5	63	5019500-03
5	86	5019500-04
6	18	6404130-09
6	36	6404130-15
6	54	6404130-06
6	75	6404130-07
7 1/2	18	6402330-01
7 1/2	36	6402330-11
7 1/2	54	6402330-10

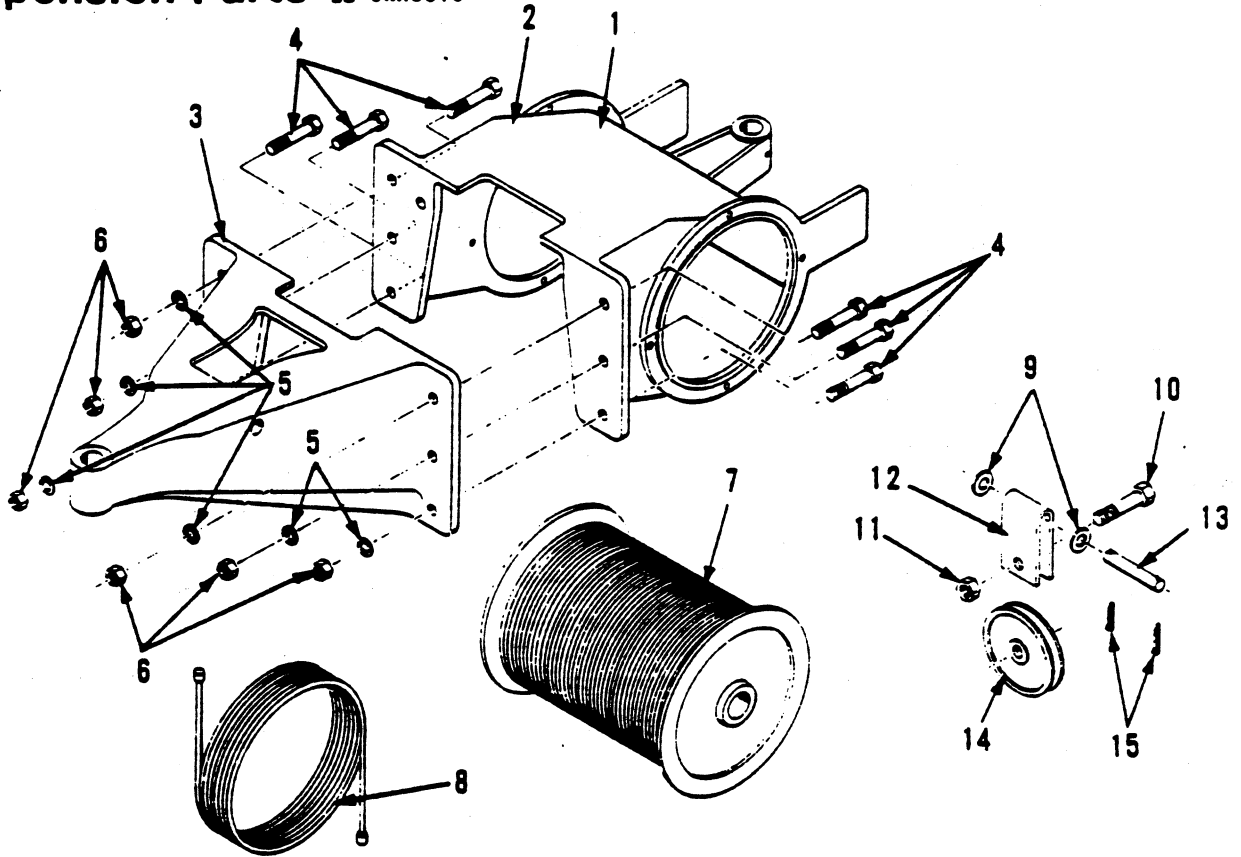
YC-0414
185-903-017

When Replacement Parts Are Needed, Order Only YALE[®] Factory Engineered Parts



SECTION F
SUSPENSION FRAME, DRUM
AND ROPE ASSEMBLY

CE Series
Suspension Parts LE CHASSIS



SEE REVERSE SIDE FOR TABLES 1, 2 AND 3.

ITEM NUMBER	PART NUMBER	DESCRIPTION	QTY
1	SEE TABLE 1	SUSPENSION FRAME	1
2	SEE TABLE 1	SUSPENSION FRAME HALF	1
3	SEE TABLE 1	SUSPENSION FRAME HALF	1
4	2031611-00	HEX SCREW	6
5	0150272-00	LOCKWASHER	6
6	0106704-00	HEX NUT	6
7	SEE TABLE 2	DRUM	1
8	SEE TABLE 3	ROPE ASSEMBLY	1
9	0116335-00	SPACER	2
10	0109414-00	SHEAVE AXLE	1
11	0106719-00	NUT	1
12	0103675-00	YOKE	1
13	0106987-00	YOKE PIN	1
14	0109934-00	EQUALIZER SHEAVE	1
15	0102838-00	COTTER PIN	2

YD-0415

165-003-015

When Replacement Parts Are Needed, Order Only YALE® Factory Engineered Parts

SECTION F
SUSPENSION FRAME, DRUM
AND ROPE ASSEMBLY



CE Series

Suspension Parts MANUFACTURING SERIES F-SERIES G NOTED WITH *

TABLE 1. SUSPENSION FRAME

CAPACITY	LIFT IN FEET	PART NUMBER	ITEM NUMBER
5	20	0595164-00	1
5	20	6404876-00	2
5	20	0110922-00	3
5	32	0110919-00	1
5	32	0110931-00	2
5	32	0110922-00	3
5	46		1
5	46	0110918-00	2
5	46	0110922-00	3
* 6	19		1
* 6	19	6404876-00	2
* 6	19	0110922-00	3
* 6	31		1
* 6	31	0110931-00	2
* 6	31	0110922-00	3
6	44		1
6	44	0110930-00	2
6	44	0110922-00	3
* 7 1/2	19		1
* 7 1/2	19	6404876-00	2
* 7 1/2	19	0110922-00	3
* 7 1/2	31		1
* 7 1/2	31	0110931-00	2
* 7 1/2	31	0110922-00	3
7 1/2	44		1
7 1/2	44	0110930-00	2
7 1/2	44	0110922-00	3

TABLE 2. DRUMS

CAPACITY	LIFT IN FEET	PART NUMBER	ITEM NUMBER
5	20	0103431-00	7
5	32	0103489-00	7
5	46	0103491-00	7
* 6	19	0103433-00	7
* 6	31	0103490-00	7
6	44	0103492-00	7
* 7 1/2	19	0103433-00	7
* 7 1/2	31	0103490-00	7
7 1/2	44	0103492-00	7

TABLE 3. ROPE ASSEMBLY

CAPACITY	LIFT IN FEET	PART NUMBER	ITEM NUMBER
5	20	5019430-04	8
5	32	5019430-03	8
5	46	5019430-06	8
* 6	19	5019460-01	8
* 6	31	5019460-02	8
6	44	5019460-03	8
* 7 1/2	19	5019470-01	8
* 7 1/2	31	5019470-02	8
7 1/2	44	5019470-03	8

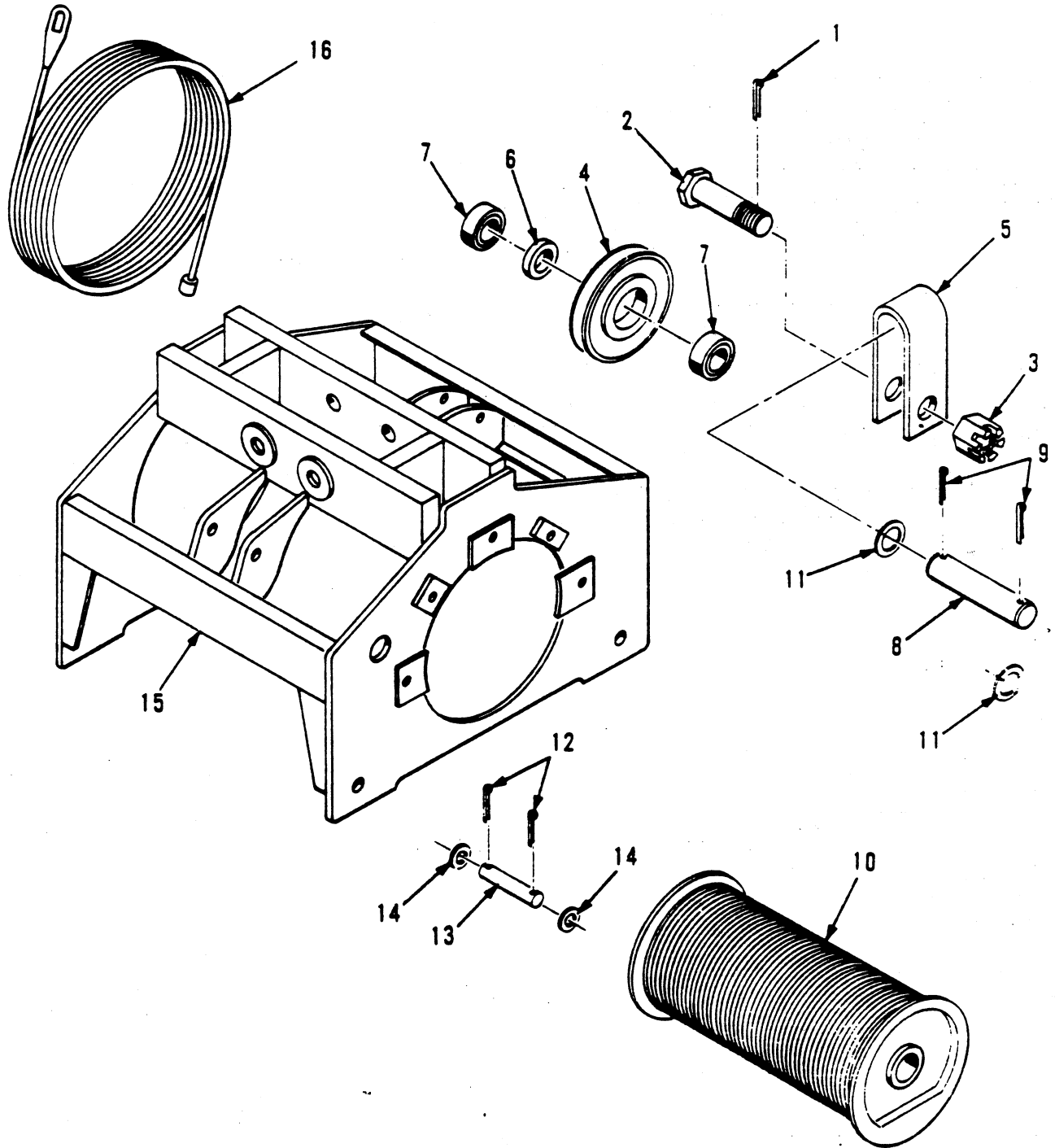
When Replacement Parts Are Needed, Order Only YALE® Factory Engineered Parts

SUSPENSION PARTS



SECTION F
SUSPENSION FRAME, DRUM
AND ROPE ASSEMBLY

C E Series
X E Suspension Parts
8 THRU 15 TON CAPACITY



YE-0244

197-603-013

When Replacement Parts Are Needed, Order Only YALE[®] Factory Engineered Parts

REVISED APRIL 1973

CE SERIES-XE CHASSIS

SECTION FSUSPENSION FRAME, DRUM
AND ROPE ASSEMBLY

Yale

**C E Series
X E Suspension Parts**

8 THRU 15 TON CAPACITY

ITEM NUMBER	PART NUMBER	DESCRIPTION	QTY
1	0154222-00	COTTER PIN	1
2	6417541-00	SHEAVE SHAFT	1
3	0585143-00	SLOTTED NUT	1
4	0548770-00	SHEAVE	1
5	6418066-00	YOKE	1
6	0116322-00	SPACER	1
7	0100822-00	BEARING	2
8	6429033-00	SHEAVE SUPPORT PIN	1
9	0102836-00	COTTER PIN	2
10	SEE TABLE 1	DRUM	1
11	6419343-00	SPECIAL FLAT WASHER	2
12	0552333-00	COTTER PIN	2
13	6416811-00	ANCHOR PIN	1
14	0161126-00	FLAT WASHER	2
15	SEE TABLE 1	SUSPENSION FRAME	1
16	SEE TABLE 1	WIRE ROPE ASSEMBLY	1

FOR BASE MOUNT ADD:

17	6437124-00	FOOT (Not Shown)	4
18	2030893-00	HEX SCREW (Not Shown)	4
19	0665377-00	HEX JAM NUT (Not Shown)	4
20	0150270-00	LOCKWASHER (Not Shown)	4

TABLE 1

CAPACITY TONS	LIFT FEET	PART NUMBER		
		FRAME	ROPE	DRUM
8-10	20	6468230-01	5019500-17	0103434-00
8-10	30	6468230-02	5019500-18	0103495-00
8-10	43	6468230-03	5019500-19	0103497-00
12	18	6468230-01	6404130-19	0103436-00
12	27	6468230-02	6404130-20	0103496-00
12	37	6468230-03	6404130-21	0103498-00
15	18	6468230-01	6402330-07	0103436-00
15	27	6468230-02	6402330-04	0103496-00
15	37	6468230-03	6402330-08	0103498-00

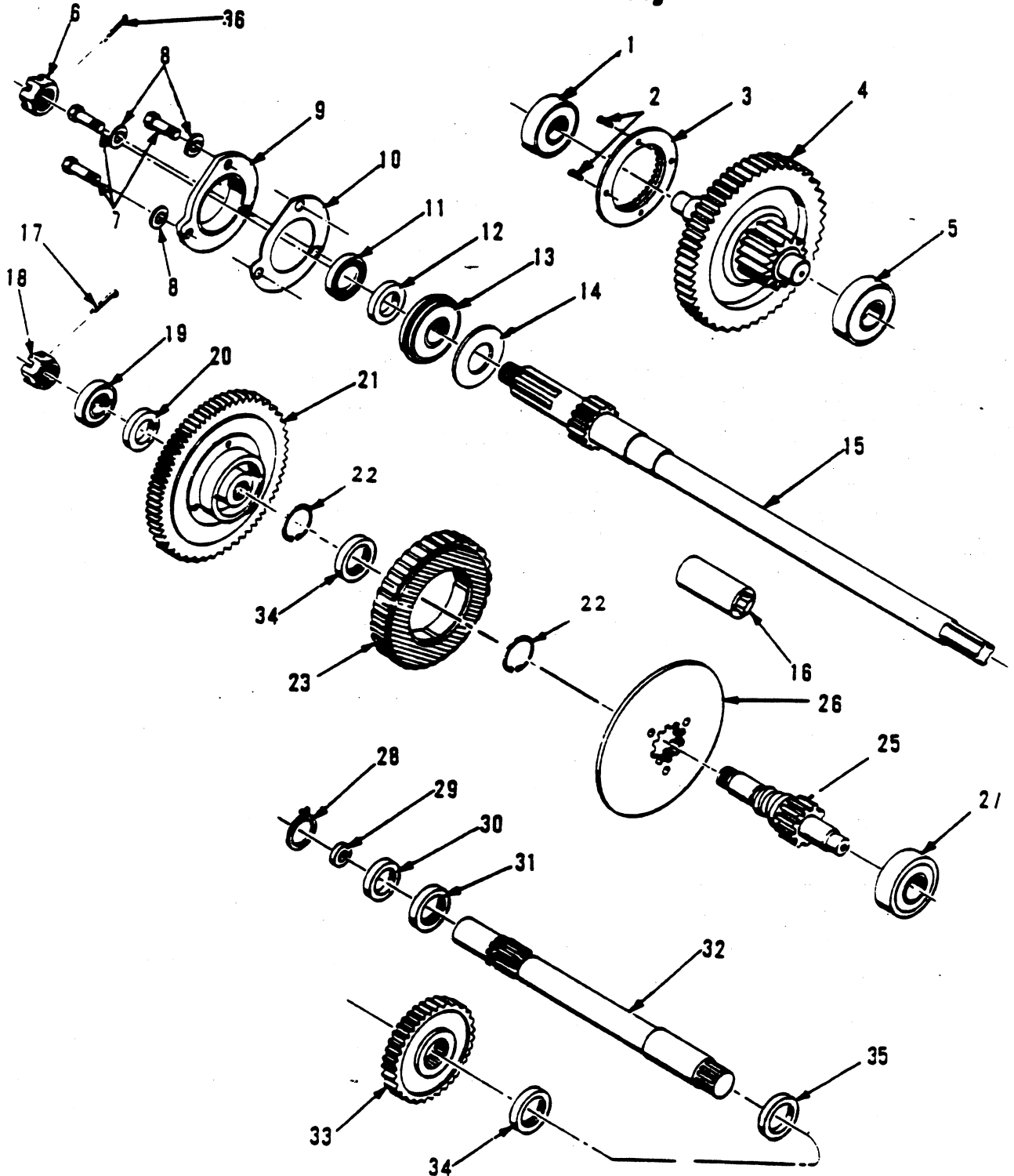
When Replacement Parts Are Needed, Order Only YALE® Factory Engineered Parts
CE SERIES-XE CHASSIS

REVISED APRIL 1973



SECTION G
GEAR TRAIN AND
LOAD BRAKE ASSEMBLY

CE Series E CHASSIS
Gear Train And Load Brake Assembly



155-304-007

When Replacement Parts Are Needed, Order Only YALE® Factory Engineered Parts

REVISED MARCH 1977

CE SERIES

SECTION GGEAR TRAIN AND
LOAD BRAKE ASSEMBLY~~YALE~~
3
Yale**CE Series E CHASSIS
Gear Train And Load Brake Assembly**

ITEM NUMBER	PART NUMBER	DESCRIPTION	QTY
1	0567066-00	BEARING	1
2	6400329-07	RIVET	4
3	6410123-00	FACE GEAR	1
4	SEE TABLE 1	GEAR AND PINION	1
5	0573804-00	BEARING	1
6	0106714-00	SLOTTED NUT (1 1/8" X 12)	1
7	0622328-00	CAP SCREW	3
8	0150262-00	LOCKWASHER	3
9*	0107957-00	RETAINER	1
10*	6441843-00	GASKET	1
11*	0116152-00	OIL SEAL	1
12*	6443553-00	SPACER	1
13*	0588078-00	BEARING	1
14*	6418361-04	OIL SLINGER	1
15		DRIVING PINION	1
16	0116180-00	COUPLING (1 7/8" DIA. X 3" LONG)	1
	0116169-00	COUPLING (1 5/8" DIA. X 3" LONG)	1
	0116172-00	COUPLING (1 3/8" DIA. X 2 1/4" LONG)	1
17	0102827-00	COTTER PIN	1
18	0106720-00	SLOTTED NUT (1 1/4" X 12)	1
19	0567066-00	BEARING	1
20	6411401-00	SPACER	1
21	SEE TABLE 2	HIGH SPEED GEAR	1
22	5019899-12	RETAINING RING	2
23	6432333-00	RATCHET W/LINING	1
25	SEE TABLE 3	INTERMEDIATE PINION	1
26	SEE TABLE 3	RATCHET DISC	1
27	0567048-00	BEARING	1
28	0110025-00	SNAP RING	1
29	0116158-00	SEAL	1
30	0116153-00	SEAL	1
31	0100885-00	BEARING	1
32	SEE TABLE 4	DRUM SHAFT	1
33	SEE TABLE 4	DRUM GEAR (SLOW SPEED GEAR)	1
34	0100915-00	BEARING	2
35	0116154-00	SEAL	1
36	0102827-00	COTTER PIN	1
*	6444850-00	BEARING & RETAINER KIT	1

When Replacement Parts Are Needed, Order Only YALE[®] Factory Engineered Parts

CE SERIES

REVISED MARCH 1977



CE Series E CHASSIS Gear Train And Load Brake Assembly

TABLE 1 - INTERMEDIATE GEAR AND PINION ASSEMBLY

ASSEMBLY NUMBER	NUMBER OF TEETH		OLD PART NUMBER
	GEAR	PINION	
<input type="checkbox"/> * 6454904-08	65	11	0104510-00
<input type="checkbox"/> * 6454904-09	70	11	0104511-00

* Includes Items 2 & 3 (Rivets and face Gear).

TABLE 2 - HIGH SPEED GEAR

ITEM NUMBER	PART NUMBER	NUMBER OF TEETH	GEAR RATIO
<input type="checkbox"/> 21	6423196-00	78	66.2-1
<input type="checkbox"/> 21	6439994-00	81	82.5-1 & 126.0-1
<input type="checkbox"/> 21	6423216-00	80	76.5-1
<input type="checkbox"/> 21	*6423206-00	84	163.3-1

*Air Hoist.

TABLE 3 - INTERMEDIATE PINION AND RATCHET DISC

PINION ASSEMBLY	NUMBER OF TEETH	INTERMEDIATE PINION	RATCHET DISC	GEAR RATIO
<input type="checkbox"/> *6440024-00	17	0104612-00	6440014-00	76.5-1, 82.5 & 66.2-1
<input type="checkbox"/> *6442164-00	12	0104598-00	6440014-00	126.0-1

* Includes Items 25 & 26.

When Replacement Parts Are Needed, Order Only YALE® Factory Engineered Parts

SECTION G
GEAR TRAIN AND
LOAD BRAKE ASSEMBLY



CE Series E CHASSIS
Gear Train And Load Brake Assembly

TABLE 4 - DRUM GEAR AND DRUM SHAFT

ASSEMBLY NUMBER	DRUM GEAR	LENGTH INCHES	DRUM SHAFT
<input type="checkbox"/> 6454754-21	0104474-00	15 7/16	0103646-00
<input type="checkbox"/> 6454754-22	0104474-00	23 11/16	0103647-00
<input type="checkbox"/> 6454754-23	0104474-00	31 7/16	0103650-00
<input type="checkbox"/> 6454754-24	0104474-00	40 7/16	0103651-00

Note: Drum Shaft & Slow Speed Gear Available As An Assembly Only.

When Replacement Parts Are Needed, Order Only YALE® Factory Engineered Parts

CE SERIES

REVISED MARCH 1977



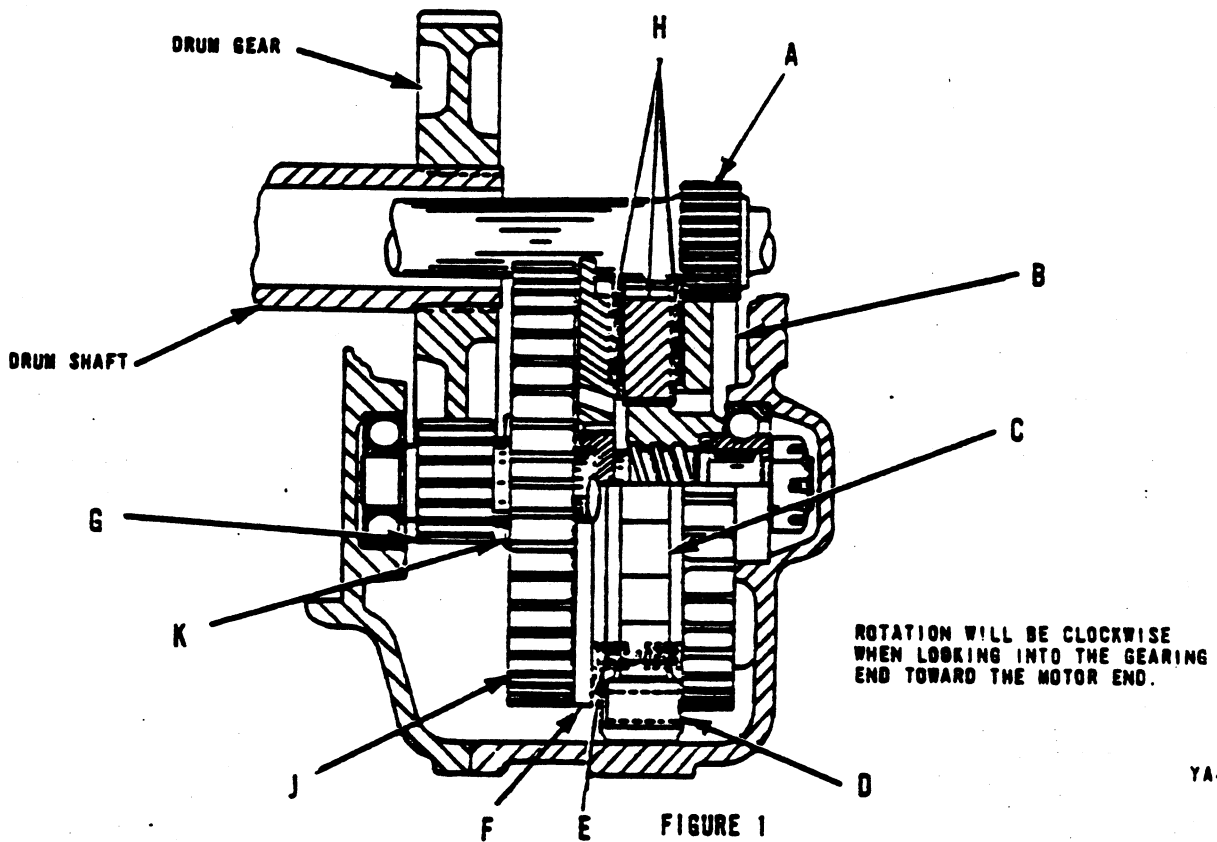
Operation Description And Maintenance Of YALE Load Brake

Purpose

The main purpose of the Yale 'Weston Screw and Disc Type' load brake is to control the lowering speed of the hoist. Its secondary purpose is to act as an auxiliary brake.

Operation

The load brake functions regardless of whether the current is on or off when lowering. When the current is off the load pulls in a counter-clockwise direction on the slow speed gear and screws the brake up tight locking all the parts of the load brake together. A pawl engages the ratchet gear and disc assembly holding the load stationary when the pull is in this direction. The greater the load, the more definite the locking action.



When hoisting in the up direction, power from the motor is applied through the driving pinion A to the high speed gear B. This gear with its threaded hub screws clockwise and all of the brake parts become tight and move as a unit in the clockwise direction.

NOTE: ROTATION WILL BE CLOCKWISE WHEN LOOKING INTO THE GEARING END TOWARD THE MOTOR END.

When Replacement Parts Are Needed, Order Only YALE[®] Factory Engineered Parts

135-904-003

REVISED NOVEMBER 1976

GE SERIES

SECTION G

**GEAR TRAIN AND
LOAD BRAKE ASSEMBLY**



Movement is free because the ratchet gear and disc assembly C is moving clockwise and it can rotate without its teeth engaging the pawl D. In this direction of rotation, the pawl is held away from the ratchet by a spring loaded friction button E which is part of the pawl assembly and presses outward simultaneously on the ratchet disc F and the high speed gear B. As the load brake rotates in this direction it tends to drag the spring loaded button with it causing the pawl to ride over the ratchet teeth ready to catch and hold the pawl the instant the load starts to lower. The load brake is completely locked when operating in this direction.

When lowering the driving pinion reverses the direction of the high speed gear, turning it counter-clockwise. This unscrews the high speed gear and loosens the load brake. At the same time the load is pulling through the gear train in a clockwise direction on the intermediate pinion K trying to tighten the brake. This interaction is constantly going on when the hoist is lowering. In a smoothly operating load brake the motor uses about one-third to one-half of its rated horsepower to drive the load down by keeping a satisfactory adjustment on the brake between the open and closed position. This operation must be just fast enough to keep the pull of the load from getting ahead and closing the brake. The load is always under control as it is the drive of the motor which lowers it while its own weight always works to close the brake.

In this lowering operation friction holds the load as the brake is just slightly open. The ratchet gear and disc assembly is held stationary by the ratchet pawl, while the high speed gear revolves. The brake discs H are bonded to the ratchet gear to form the ratchet gear and disc assembly C. The friction of the high speed gear B and reaction disc F against the stationary ratchet gear and disc assembly, with the aid of oil lubrication, produces a positive hold action permitting easy and gradual lowering.

The instant the down button is released, the high speed gear becomes stationary because the motor brake holds the driving pinion stationary and the pull of the load closes the brake as it is held by the ratchet pawl.

When the hoist lowers without a load, the high speed gear opens the brake and drives the hook down directly through the gear train. Only the friction of the normally operating gears interferes with free action and therefore such lowering is usually slightly faster than lowering with a load.

The operation of the load brake is separate from the hoisting mechanism, therefore, there is no loss of power in overcoming friction holding the load.

Load Brake Maintenance

The operation of the load brake provides automatic adjustment for wear of the brake discs. The only maintenance normally necessary is infrequent replacement of the ratchet gear and disc assembly. To check operation of load brake, See instructions in paragraphs on daily, monthly and annual inspection in preventive maintenance schedule (Section B).

When Replacement Parts Are Needed, Order Only YALE® Factory Engineered Parts

CE SERIES

REVISED NOVEMBER 1976



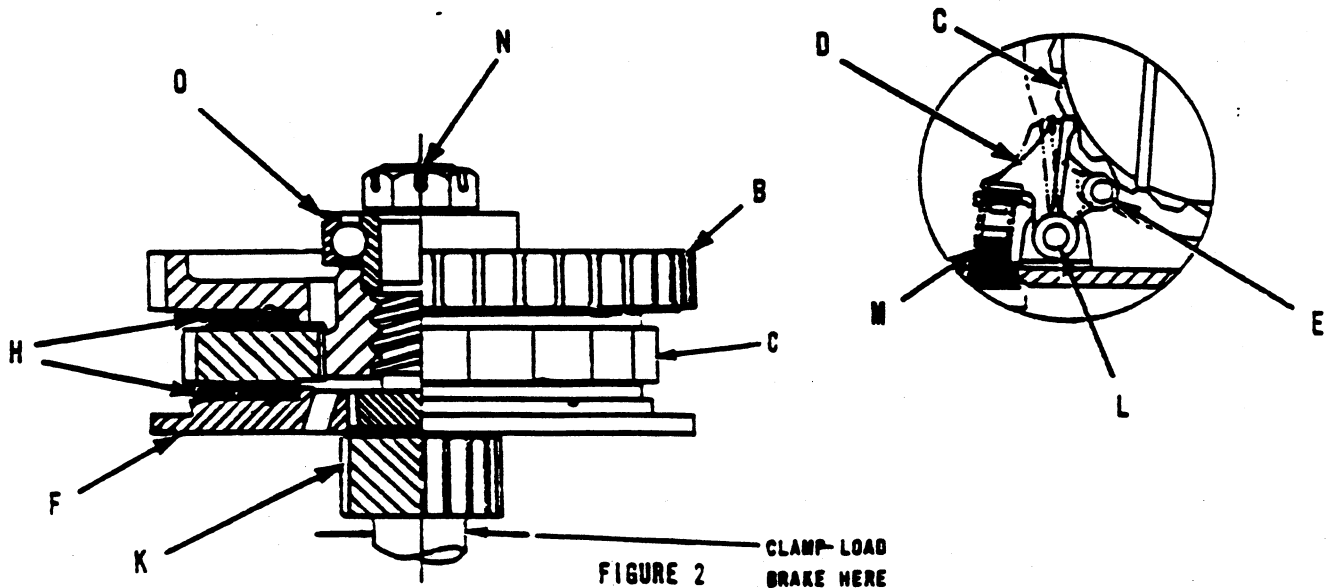
SECTION G
GEAR TRAIN AND
LOAD BRAKE ASSEMBLY

Load Brake Removal

- 1- Remove load.
- 2- Disconnect hoist at power supply.
- 3- Disconnect the two solenoid wires that lead to the motor brake solenoid.
- 4- Remove the drain plug at the bottom of the gear case cover and drain the oil into a can or bucket (two quart size is sufficient). **CAUTION - DO NOT REMOVE PAWL PLUG AT THIS TIME.**
- 5- Remove the eight hex head cap screws and two dowel bolt nuts holding the gear case cover to the gear case. Drive a sharp instrument between these two parts and pry the gear case cover off.

The intermediate gear J and the slow speed pinion G can now be lifted out. On all hoists that do not have a cotter pin through the pawl and ratchet pawl pin, the pawl may be removed by removing the ratchet pawl pin L and then the pawl with spring loaded friction buttons E, keeping a hand over the buttons so they will not spring out.

On all hoists that do have a cotter pin through the ratchet pawl pin and pawl, the pawl need not be removed. On these hoists remove the pawl stop spring and pull pawl away from between the ratchet disc and gear with the flat of hand over the friction buttons as they will spring out when disengaged.



YA-G247

163-304-304

When Replacement Parts Are Needed, Order Only YALE[®] Factory Engineered Parts

REVISED NOVEMBER 1978

GE SERIES

SECTION G

GEAR TRAIN AND
LOAD BRAKE ASSEMBLY



Load Brake Disassembly

After either one of the two preceding operations has been accomplished it is now possible to lift out the complete load brake. Place the load brake in a vise and tighten jaws over the shoulder below the intermediate pinion K. Load brake is now ready for disassembly in the following manner.

- 1- Remove the cotter pin from the castellated nut and remove nut.
 - 2- Remove the high speed gear B.
 - 3- Take off ratchet gear and disc assembly noting the direction the ratchet teeth are facing.
- Before replacing the Ratchet Gear and Disc assembly and the high speed gear, make sure all dirt or foreign material is cleaned off.

Load Brake Re-assembly

- 1- Place the ratchet gear and disc assembly on the shaft, then thread the gear on tight.
 - 2- Place spacer and bearing on the end of the shaft and press it down into the ground recess in the gear.
 - 3- Tighten the castellated nut down on the bearing. Then back the nut off slowly until the first castellation lines up with the hole drilled in the shaft and slip cotter pin through this hole. Open the brake and check the adjustment by turning the ratchet gear and disc assembly. If properly adjusted it should turn freely. Bend the cotter pin around nut and cut off any excess.
- The assembled load brake can now be put back into gear case cover.

Load Brake Installation

- 1- Insert the load brake in the gear case cover.
- 2- On all hoists that have a cotter pin through the pawl and ratchet pawl pin, take one button, then the spring, then the second button and slide them through the pawl in that order holding a finger over the bottom of the pawl so the buttons will not slide out. Press hard on buttons so as to compress the spring sufficiently enough to be able to slide the complete pawl in between ratchet disc and high speed gear. Replace the pawl stop spring.

On all hoists that do not have a cotter pin through the pawl and ratchet pawl pin, assemble the pawl with buttons and friction spring. Spin the load brake around so that when installed the pawl will engage a ratchet tooth. Line up pawl between the lugs and slide in ratchet pawl pin. Press hard on the buttons so as to compress the spring sufficiently enough to be able to slide the complete pawl in between the ratchet disc and high speed gear. Replace the pawl stop spring.

Lubrication

SEE SECTION B

When Replacement Parts Are Needed, Order Only YALE[®] Factory Engineered Parts

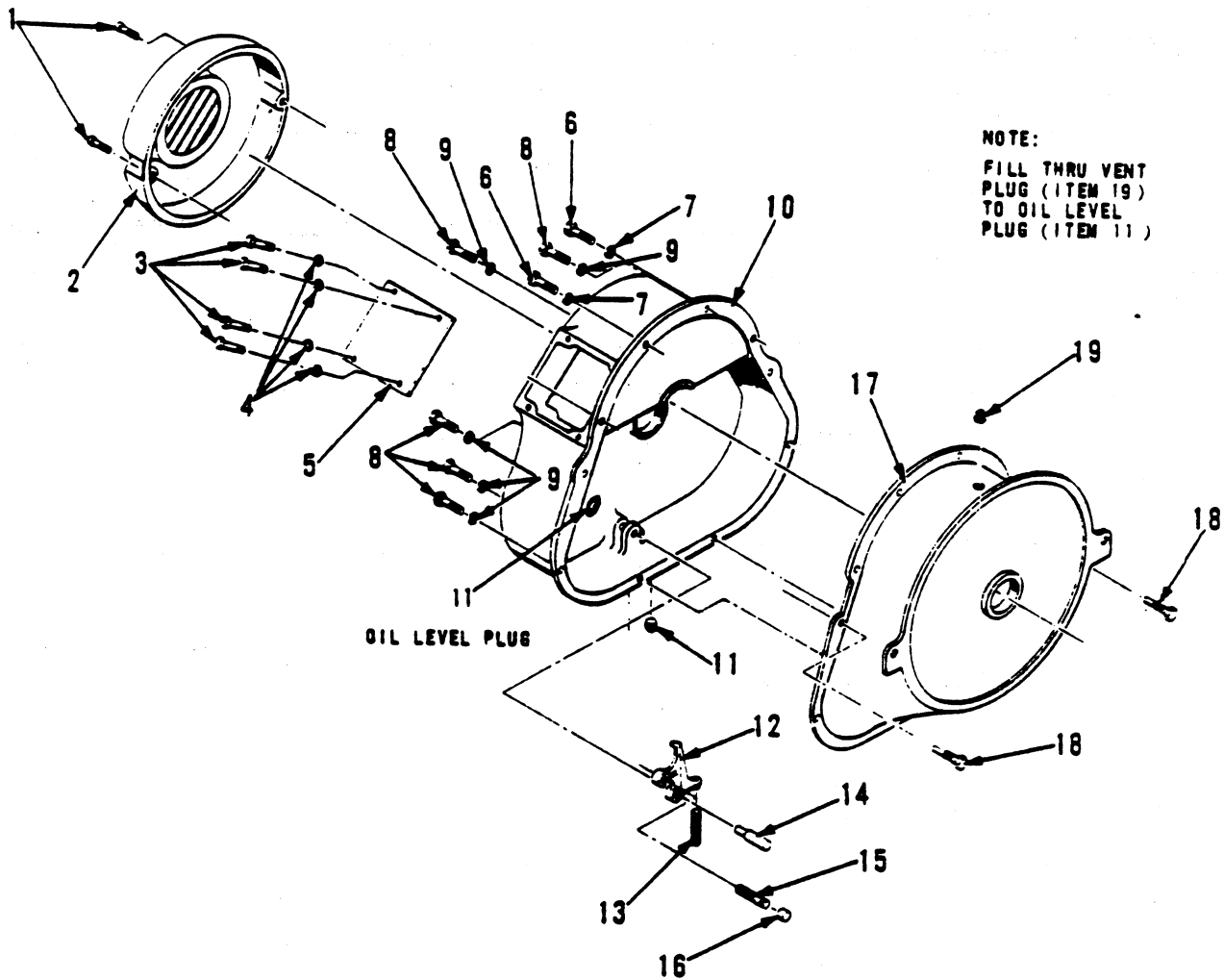
CE SERIES

REVISED NOVEMBER 1976



SECTION H
GEAR CASE, COVER
AND HOIST END COVER

Gear Case, Cover and Hoist End Cover



NOTE:
FILL THRU VENT
PLUG (ITEM 19)
TO OIL LEVEL
PLUG (ITEM 11)

YE-3248

FORM 185-805-004

When Replacement Parts Are Needed, Order Only YALE[®] Factory Engineered Parts

REVISED NOVEMBER 1976

E - CHASSIS



Gear Case , Cover and Hoist End Cover

ITEM NUMBER	PART NUMBER	DESCRIPTION	QTY
1	0608687-00	SCREW (COVER)	2
2	0225003-00	HOIST END COVER (CAST IRON)	1
	0102916-00	HOIST END COVER (ALUMINUM)	1
3	0109234-00	CAP SCREW	4
4	0401004-00	LOCKWASHER	4
5	0102936-00	HAND HOLE COVER	1
6	0146464-00	SCREW	2
7	0150268-00	LOCKWASHER	2
8	0570483-00	SCREW	6
9	0150268-00	LOCKWASHER	6
10	6427801-00	GEAR CASE COVER	1
11	0230808-00	FILL & DRAIN PLUG	1
12	0106823-00	PAWL	1
13	0110589-00	PAWL SPRING	1
14	0106942-00	PAWL PIN	1
15	0110590-00	SPRING	1
16	0107998-00	PAWL SPRING RETAINER	2
17	0104168-00	GEAR CASE	1
18	0116532-00	DOWEL BOLT	2
19	0107182-00	VENT PLUG	1
20	0106643-00	DOWEL BOLT NUT (NOT SHOWN)	2
21	0102920-00	COVER INSERT (FOR END COVER) (NOT SHOWN)	1

When Replacement Parts Are Needed, Order Only YALE® Factory Engineered Parts

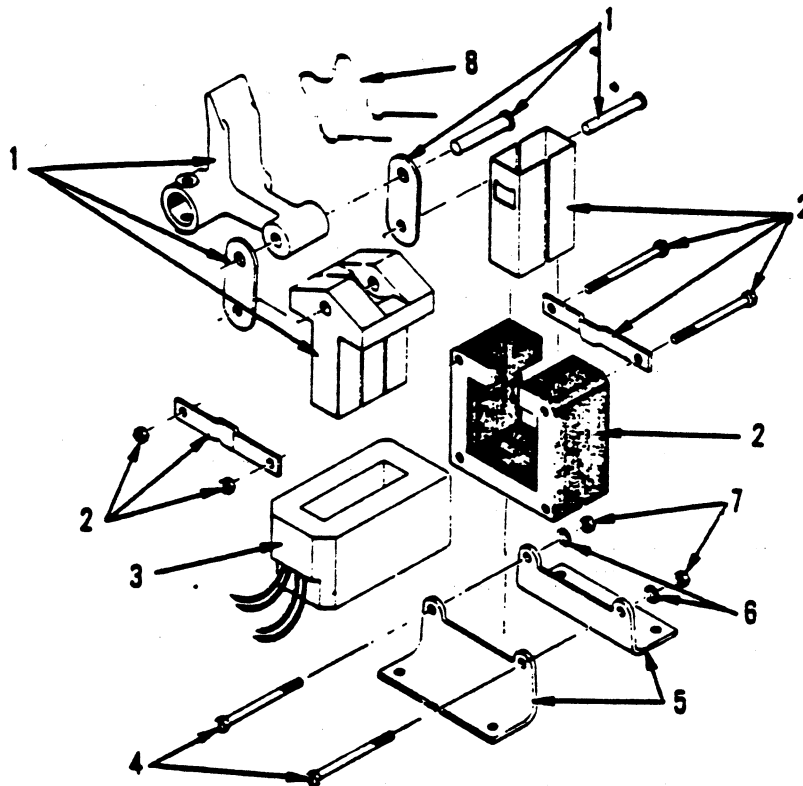
E - CHASSIS

REVISED NOVEMBER 1975



SECTION I
 ASSEMBLY AND
 APPLICATION OF SOLENOID

**CE Series
 Solenoid And Linkage Assembly**



YA-0294

THE FOLLOWING PARTS ARE COMMON TO THE ASSEMBLIES LISTED ON BACK SIDE OF THIS PAGE.



ITEM NUMBER	DESCRIPTION	B CHASSIS	C CHASSIS	D CHASSIS	E CHASSIS	QTY
1*	PLUNGER & LINKAGE ASSY.	6437533-00	6424243-00	6424263-00	6424253-00	1
2*	FRAME	6424223-00	6424223-00	6424233-00	6424233-00	1
3	COIL	SEE TABLE	SEE TABLE	SEE TABLE	SEE TABLE	1
4	HEX BOLT	2032094-00	2032094-00	2032097-00	2032097-00	2
5	MTG. BRACKETS				6434584-01	1
	MTG. BRACKETS				6434584-02	1
	MTG. BRACKETS	6426473-01	6426473-02	6426473-01		2
	MTG. BRACKETS	0161035-00		0161035-00		2
6	FLAT WASHER	5020979-08	5020979-08	5020979-08	5020979-08	2
7	STOVER NUT		6437378-01	6437378-02		2
8	BALANCE SPRING				6450798-00	1

* We Recommend Replacing The Frame With The Plunger And Linkage Assembly, Should Either Part Need Replacement.

185-305-001

When Replacement Parts Are Needed, Order Only YALE® Factory Engineered Parts

REVISED MARCH 1973

CE SERIES

SECTION I
ASSEMBLY AND
APPLICATION OF SOLENOIDS



**CE Series
Solenoid And Linkage Assembly**

B CHASSIS C CHASSIS D CHASSIS E CHASSIS

COMPLETE SOLENOID INCLUDING COIL	COMPLETE SOLENOID INCLUDING COIL	COMPLETE SOLENOID INCLUDING COIL	COMPLETE SOLENOID INCLUDING COIL	OPERATING CURRENT	INSUL	COIL TABLE	
						B & C CHASSIS COIL ONLY	D & E CHASSIS COIL ONLY
6440634-01	6439644-01	6439654-01	6439664-01	115-60	B	6430314-01	6430334-01
02	02	02	02	200-60	B	02	02
03	03	03	03	230-60	B	03	03
04	04	04	04	460-60	B	04	04
05	05	05	05	230/460-60	B	05	05
06	06	06	06	575-60	B	06	06
07	07	07	07	110-50	B	07	07
08	08	08	08	220-50	B	08	08
09	09	09	09	440-50	B	09	09
10	10	10	10	110-25	B	10	10
11	11	11	11	220-25	B	11	11
12	12	12	12	440-25	B	12	12
13	13	13	13	120-DC	B	13	13
14	14	14	14	240-DC	B	14	14
15	15	15	15	480-60	B	15	15
16	16	16	16	115-60	H	16	16
17	17	17	17	200-60	H	17	17
18	18	18	18	230-60	H	18	18
19	19	19	19	460-60	H	19	19
20	20	20	20	230/460-60	H	20	20
21	21	21	21	575-60	H	21	21
22	22	22	22	110-50	H	22	22
23	23	23	23	220-50	H	23	23
24	24	24	24	440-50	H	24	24
25	25	25	25	110-25	H	25	25
26	26	26	26	220-25	H	26	26
27	27	27	27	440-25	H	27	27
28	28	28	28	120-DC	H	28	28
29	29	29	29	240-DC	H	29	29
30	30	30	30	480-60	H	30	30
31	31	31	31	500-60	B	31	31
32	32	32	32	500-60	H	32	32

ALL D.C. SOLENOIDS - IN ADDITION TO THE ABOVE FURNISH "B" CHASSIS ONLY - B/M 6485110-00
CONSISTING OF (1) 6427713-00 BRKT.
(1) 0105873-00 SWITCH CONTACT

C, D & E CHASSIS - B/M 6480710-00 CONSISTING OF (1) 0101721-00 BRKT.
(1) 0105873-00 SWITCH CONTACT
(2) 0150308-00 WASHER
(3) 0633541-00 TERMINAL
(2) 2031426-00 SCREW

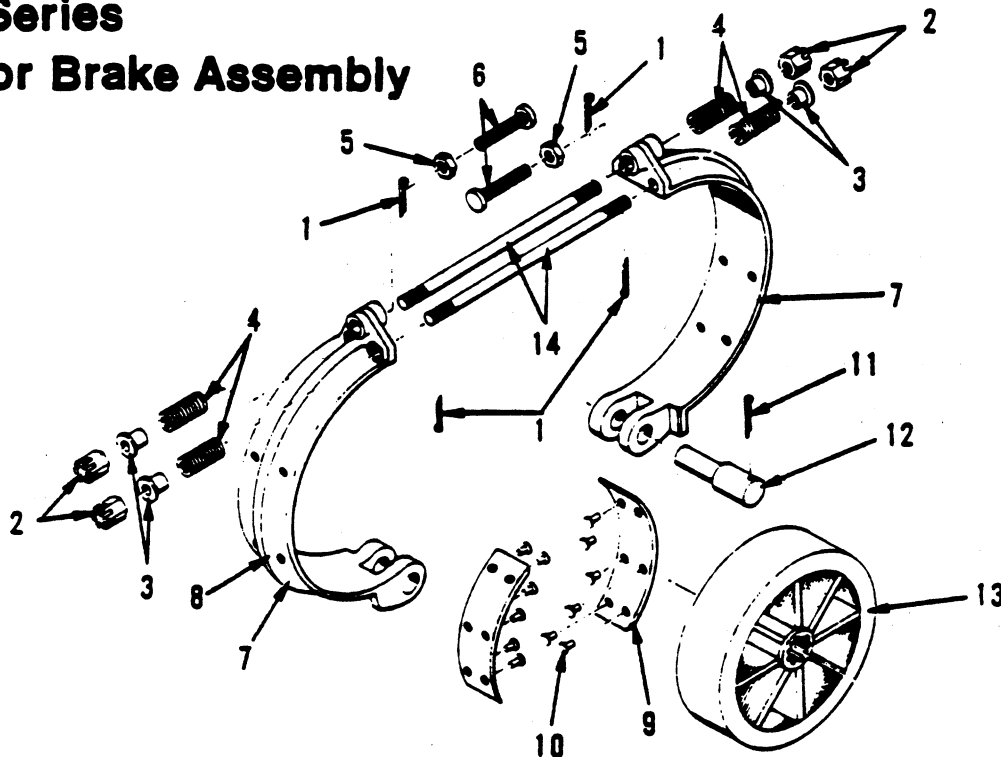
When Replacement Parts Are Needed, Order Only YALE® Factory Engineered Parts
CE SERIES

REVISED MARCH 1973



SECTION J
MOTOR BRAKE ASSEMBLY

CE Series
Motor Brake Assembly



Adjustment Of Brakes

YD-0332

- If the load block does not come to a quick stop, the solenoid brake should be adjusted as follows:
- (1) Remove the lower cover on the gear end.
 - (2) Loosen both jam nuts with an open end wrench.
 - (3) With the open end wrench hold the motor brake shaft in the position it would take if the solenoid was energized and the brake was open.
 - (4) Using a screw driver turn the adjusting screws until the brake lining just makes contact with the brake drum.
 - (5) Remove wrench from the motor brake shaft and retighten jam nuts while holding brake adjusting screws stationary with the screw driver.

If greater braking is desired tighten the spring tension, but make sure that the spring does not bottom when the brake is fully released. When the hoist is operated the solenoid should immediately snap into the released position.

If the solenoid action is sluggish or does not release, check the action of the plunger for rust or other conditions that might cause a bind. The solenoid may be removed for inspection by taking out four bolts and pulling the solenoid straight out. The plunger will remain in the hoist.

The oil immersed load brake inside the gear housing is automatic in its action and does not require adjustment.

Silver electrical contacts should not be lubricated and should not be filed or dressed for normal operation even though they may become darkened in appearance, because silvered surfaces remain good conductors. The greatest normal life will be obtained if the contacts are not touched until replacement is required.

165-907-008

When Replacement Parts Are Needed, Order Only YALE[®] Factory Engineered Parts

SECTION J

MOTOR BRAKE ASSEMBLY



CE Series Motor Brake Assembly

E CHASSIS PARTS LIST - COMPLETE BRAKE SHOE ASM. 0102588-00 **

ITEM NUMBER	PART NUMBER	DESCRIPTION	QTY
1	0102782-00	COTTER PIN	4
2	0106626-00	SLOTTED NUT	4
3	0107984-00	SPRING RETAINER	4
4	0233856-00	BRAKE SPRING	4
5	B106646-00	JAM NUT	2
6	0109529-00	ADJUSTING SCREW	2
* 7	0102596-00	BRAKE SHOE ASSEMBLY	2
8	***	BRAKE SHOE	2
9	0102522-00	BRAKE LINING	2
10	0149722-00	RIVET	8
11	0102830-00	COTTER PIN	2
12	0110699-00	BRAKE SHOE STUD	2
13	5005534-00	BRAKE DRUM	1
14	0100942-00	DOUBLE END STUD	2

* Item 7 Includes Items 8,9 and 10.

** INCLUDES ITEMS 1, 2, 3, 4, 5, 6, 7 AND 14

*** #8 Available as part of item #7

When Replacement Parts Are Needed, Order Only YALE[®] Factory Engineered Parts

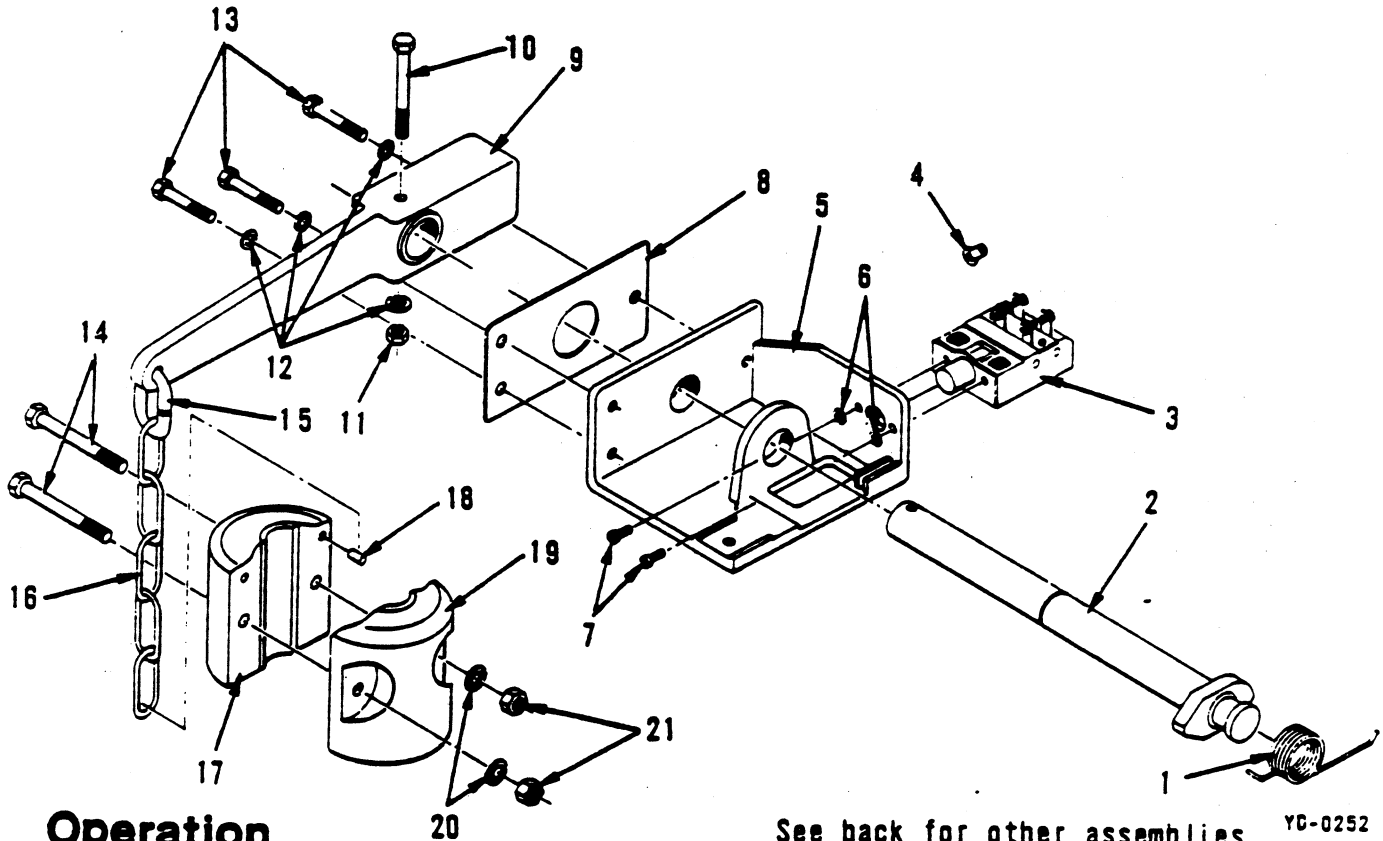
CE SERIES-E CHASSIS

MAY 1972



SECTION K
LIMIT SWITCH ASSEMBLIES

CE Series, Weight Type Limit Switch Assembly



Operation

See back for other assemblies. YC-0252

After the hoist is determined to be running in the proper direction, check the limit switch by running the hook upward and lifting the weight by hand. When the weight is lifted the hoist should cut off. Any further lifting of the weight will close the lowering circuit and cause the hook to lower.

When Replacement Parts Are Needed, Order Only YALE[®] Factory Engineered Parts

MAY 1972

165-908-003

CE SERIES-E CHASSIS

CE Series, Weight Type Limit Switch Assembly

ITEM	DESCRIPTION	QTY	<input type="checkbox"/> 6465910-00	<input type="checkbox"/> 5002920-00	<input type="checkbox"/> 5004370-00	<input type="checkbox"/> 5004380-00
1	SPRING	1	5000591-00	5000591-00	5000591-00	5000591-00
2	CAM & SHAFT	1	6416881-00	5000641-00	5000641-00	5000641-00
3	LIMIT CONTACT	1	0105904-00	0105904-00	0105904-00	0105904-00
4	WIRE TERMINAL	4	0103893-00	0103893-00	0653541-00	0653541-00
5	BASE	1	5000653-00	5000653-00	5000653-00	5000653-00
6	LOCKWASHER	2	0150256-00	0150256-00	0150256-00	0150256-00
7	SCREW	2	0109445-00	0109445-00	0109445-00	0109445-00
8	GASKET	1	0601039-00	0601039-00	0601039-00	0601039-00
9	LEVER	1	5000651-00	5000651-00	0105144-00	5000651-00
10	BOLT	1	0619485-00	0619485-00	0619485-00	0619485-00
11	NUT	1	0106620-00	0106620-00	0106620-00	0106620-00
12	LOCKWASHER	4	0401004-00	0401004-00	0401004-00	0401004-00
13	BOLT	3	0597163-00	0597163-00	0597163-00	0597163-00
14	SCREW	2	0109484-00	0109484-00	0109484-00	0109484-00
15	OPEN LINK	1	6410411-00	6410411-00	6410411-00	6410411-00
16	CHAIN	*	0107222-00	0107222-00	0107222-00	0107222-00
17	WEIGHT HALP	1	0281095-00	0105751-00	0105867-00	0105867-00
18	PIN	1	0190461-00	0105760-00	0105760-00	0105760-00
19	WEIGHT HALP	1	0281095-00	0105751-00	0105867-00	0195867-00
20	LOCKWASHER	4	0150308-00	0150308-00	0150308-00	0150308-00
21	NUT	2	0149365-00	0149365-00	0149365-00	0149365-00
	SPACER	1	6416991-00	-----	-----	-----

* - SPECIFY NUMBER OFF LINKS

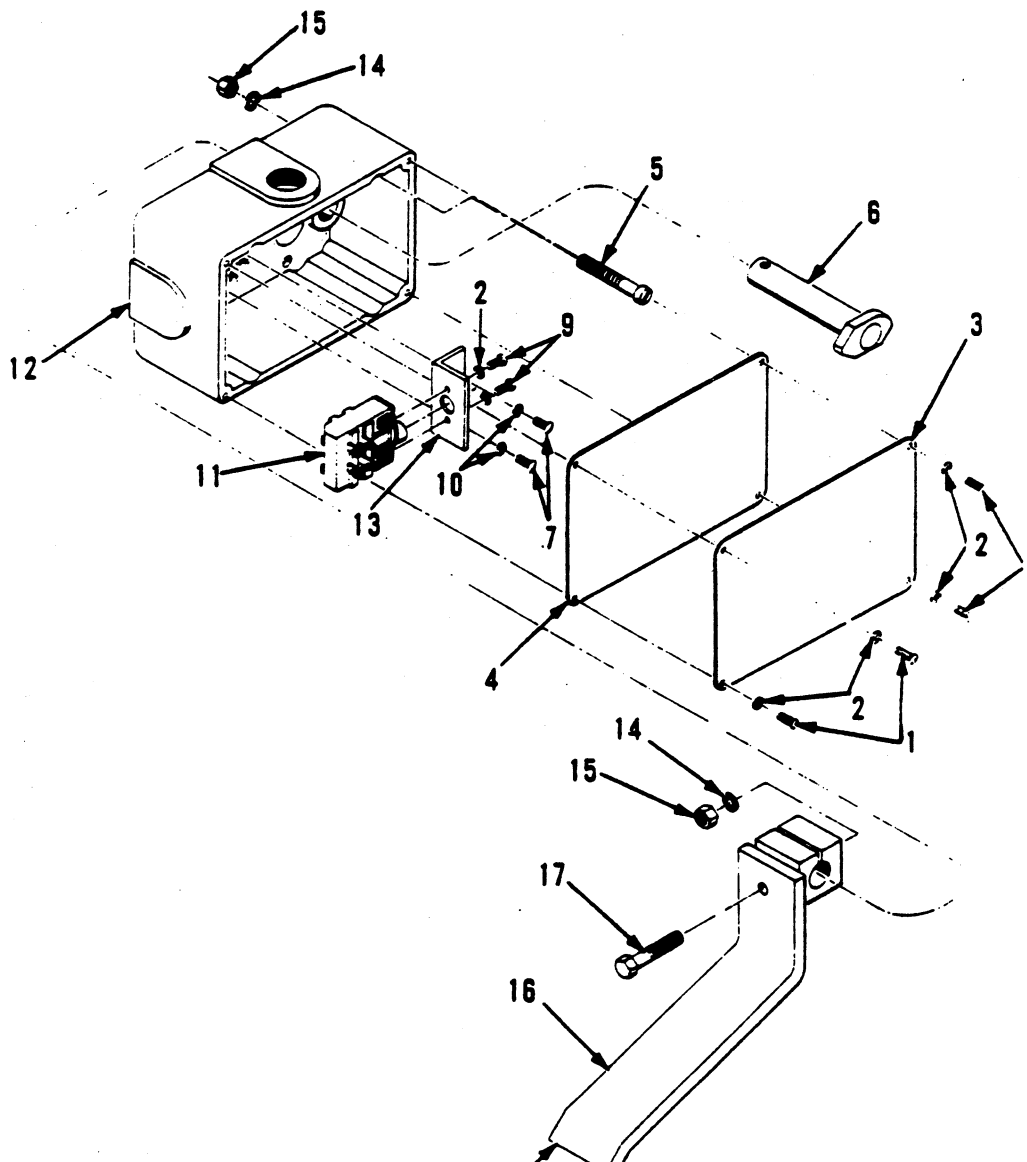
- ROT SHOWN



SECTION K
LIMIT SWITCH ASSEMBLIES

CE Series
Limit Switch Assembly

FOR LE CHASSIS, DESIGN SERIES G (LUG & DECK MOUNTED)



THE OPERATING LEVER ILLUSTRATED ABOVE
MAY NOT EXACTLY REPRESENT THE ACTUAL
APPEARANCE OF YOUR OPERATING LEVER.
HOWEVER, IT IS TYPICAL.

YE-0411

FORM 165-808-020

When Replacement Parts Are Needed, Order Only YALE® Factory Engineered Parts

MAY 1973

CE-SERIES

SECTION K

LIMIT SWITCH ASSEMBLIES



CE Series

Limit Switch Assembly

FOR LE CHASSIS, DESIGN SERIES G (LUG & DECK MOUNTED)

ITEM NUMBER	PART NUMBER	DESCRIPTION	QTY
1	0109451-00	COVER SCREW	4
2	0150256-00	LOCKWASHER	6
3	0102901-00	COVER	1
4	0628136-00	INSULATING COVER	1
5	0109513-00	SCREW (HOUSING)	3
6	SEE TABLE 1	CAM AND SHAFT	1
7	0109482-00	1/4 ROUND HEAD SCREW	2
8	0117744-00	BUSHING (Not Shown)	1
9	0109445-00	8/32 ROUND HEAD SCREW	2
10	0150308-00	LOCKWASHER	2
11	0105904-00	CONTACT BUTTON	1
12	SEE TABLE 1	LIMIT SWITCH HOUSING	1
13	0105707-00	BRACKET	1
14	0401004-00	WASHER	4
15	0106620-00	5/16 - 18 HEX NUT	4
16	SEE TABLE 1	OPERATING LEVER	1
17	0146699-00	5/16 - 18 HEX HEAD SCREW	1
*18	0116600-00	4 COND. #14 WIRE (Not Shown)	1
19	0144735-00	WASHER (Not Shown)	2
20	0154214-00	3/16 x 1 - 1/2 C. PIN (Not Shown)	1
21	0653541-00	TERMINAL (Not Shown)	4
22	0103711-00	BUSHING (Not Shown)	1

* Specify Length.

TABLE 1

FRAME	LIFT	OPERATING LEVER	CAM & SHAFT	LIMIT SWITCH HOUSING	LIMIT SWITCH ASSEMBLY
DECK	2ND	0105267-00	0105928-00	0105989-00	0105545-00
DECK	3RD	0105267-00	0105933-00	0105989-00	0105551-00
DECK	4TH	0105267-00	0105920-00	0105989-00	0105539-00
LUG	2ND	0651978-00	0105879-00	0105721-00	0105482-00
LUG	3RD	0651978-00	0105879-00	0105826-00	0105513-00
LUG	4TH	0509350-00	0509349-00	0105826-00	0105540-00

NOTE: ALL LE LIMIT SWITCHES ARE STANDARD SPEED.

When Replacement Parts Are Needed, Order Only YALE[®] Factory Engineered Parts

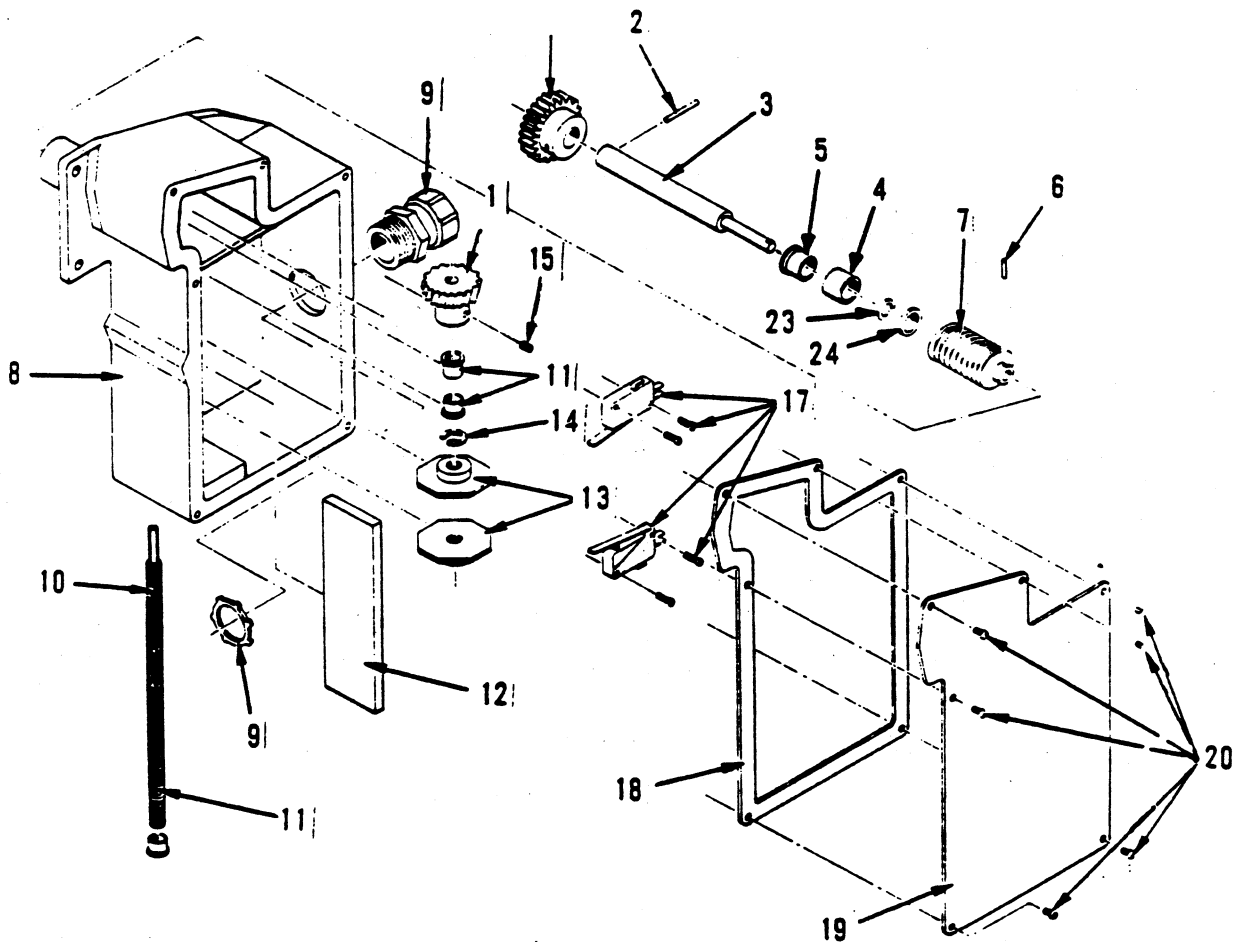
CE-SERIES

MAY 1973



SECTION K
LIMIT SWITCH ASSEMBLIES

CE Series
Traveling Nut Limit Switch Assembly



Adjustment

To adjust the limit switches or to set them at other desired levels remove the limit switch cover. Run the unit down noticing the switch toward which the nut travels. Stop the bottom block at the desired lower limit. Remove the flat bar under the traveling nuts. Move the nut nearest the switch until the switch can be heard to trip. Replace the flat bar under the traveling nuts. Repeat the above to set the upper limit switch.

YD-0251

165-900-004

When Replacement Parts Are Needed, Order Only YALE® Factory Engineered Parts

REVISED FEBRUARY 1977

CE SERIES-E CHASSIS

SECTION K

LIMIT SWITCH ASSEMBLIES



CE Series

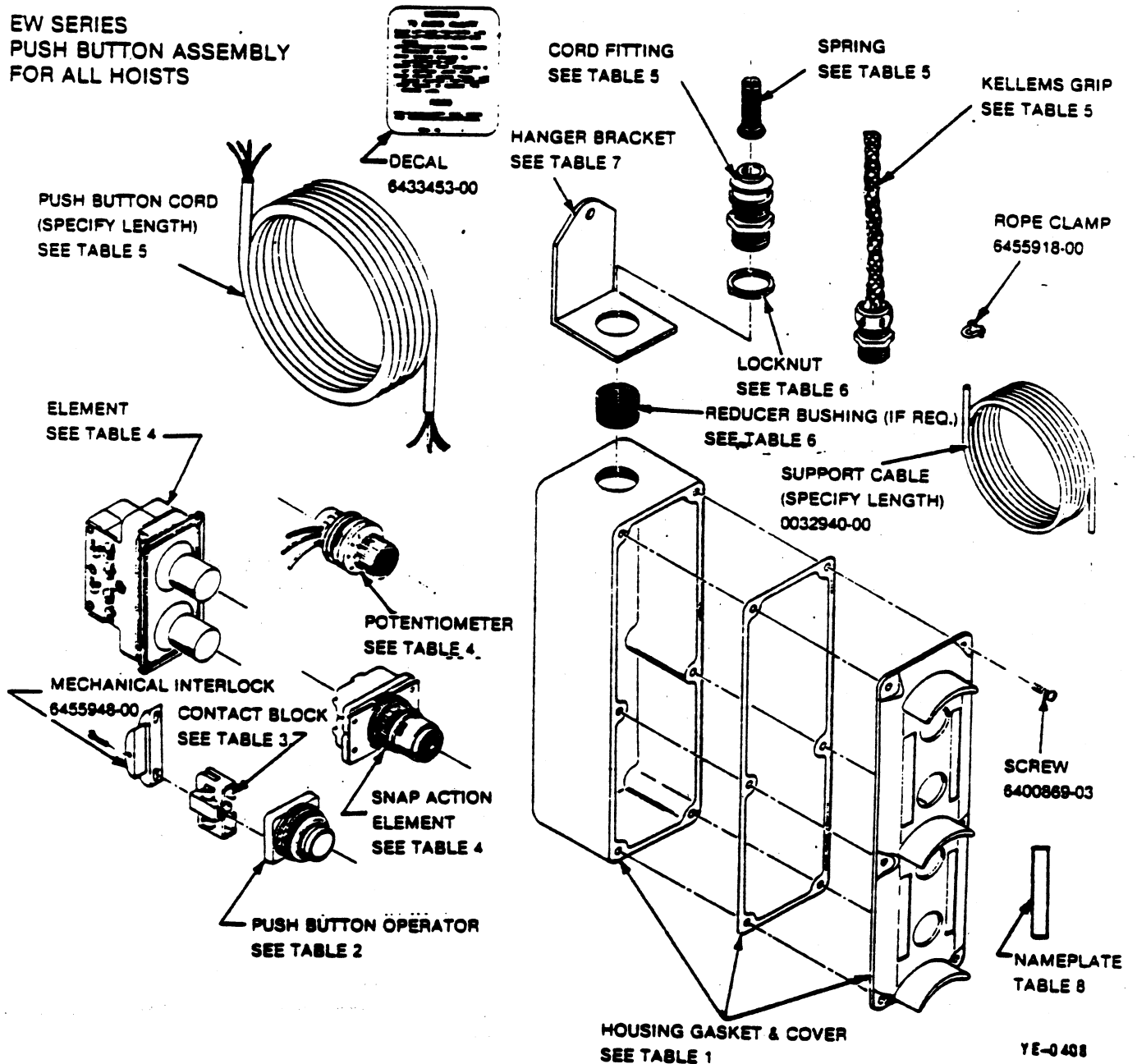
Traveling Nut Limit Switch Assembly

ITEM NUMBER	PART NUMBER	DESCRIPTION	QTY
	6452390-00	TRAVELING NUT UPPER AND LOWER LIMIT SWITCH ASSEMBLY	1
	6452410-00	TRAVELING NUT UPPER OR LOWER LIMIT SWITCH ASSEMBLY	1
	6452400-00	TRAVELING NUT UPPER AND LOWER LIMIT SWITCH ASSEMBLY	1
1	6412881-00	HELICAL GEAR (Used On Assembly Number 6452390-00 And 6452410-00)	1
	6412941-00	HELICAL GEAR (Used On Assembly Number 6452400-00 And 6452420-00)	1
2	0230207-00	ROLL PIN	1
3	0109745-00	SHAFT	1
4	6413361-04	SPACER	1
5	6412861-00	FLANGE BEARING	1
6	0318061-00	ROLL PIN	1
7	6412921-00	WORM GEAR (Used On Assembly Number 6452390-00 And 6452410-00)	1
	6412931-00	WORM GEAR (Used On Assembly Number 6452400-00 And 6452420-00)	1
8	6426304-00	HOUSING	1
9	0103721-00	WATERTIGHT CONNECTOR	2
10	6412891-00	SHAFT	1
11	6412871-00	FLANGE BEARING	3
12	6412901-00	CAM RETAINER	1
13	6412911-00	CAM	2
14	6409191-00	RETAINING RING	1
15	0109562-00	SET SCREW	1
16	6412951-00	PINION	1
17	6402058-00	SWITCH AND ACTUATOR	1
18	6422173-00	GASKET	1
19	6422143-00	COVER	1
20	6400869-02	SCREW	6
21	5003839-03	WIRE TERMINAL (Not Shown)	2
22	0116783-00	WIRE (5 Feet)	1
23	6453718-00	SEAL	1
24	0114291-00	FLAT WASHER	1

When Replacement Parts Are Needed, Order Only YALE[®] Factory Engineered Parts
CE SERIES-E CHASSIS

REVISED FEBRUARY 1977

**EW SERIES
PUSH BUTTON ASSEMBLY
FOR ALL HOISTS**



HOOK TRAVEL MUST AGREE WITH
PUSHBUTTON MARKING. TO REVERSE
ROTATION OF MOTOR INTERCHANGE
ANY TWO LINE WIRES. DO NOT
REVERSE "PUSHBUTTON" WIRES

DECAL
6413738-00

Note: The Push Buttons
Illustrated Above May Not
Exactly Represent The Actual
Appearance Of Your Push
Button. However, It Is Typical.

YE - 0408
FORM NO. 165-909-017

When Replacement Parts Are Needed, Order Only Yale® Factory Engineered Parts

JUNE 1981

EW SERIES

**EW SERIES
PUSH BUTTON ASSEMBLY
FOR ALL HOISTS**

TABLE 1

CAST ALUMINUM ENCLOSURE				
No. Of Buttons	Cover 1 In. Holes	Cover 1 7/32 IN. Hole	Housing	Gasket
2	0107253-00*	6440664-00	6440654-00	6437853-00
4	6420903-00	6430516-00	6420913-00	6423363-00
6	6426154-00	6430526-00	6426164-00	6423393-00
8	6428491-00*	6427561-00*		
10	Consult Factory			
12	Consult Factory			

*Complete Enclosure - Components Not Available

TABLE 2

PUSH BUTTON OPERATOR	
Type	Part Number
Extended Head (Black)	6455798-00
Extended Head (Red)	6455838-00
Ext. Head W/Full Shroud (Black)	6455718-00
Mushroom Head (Red)	6455848-00
Flush Head (Black)	6455878-00
Selector Switch (3 Position)	6450328-00
Selector Switch (2 Position)	6450338-00
Selector Switch (2 Position Key Operated)	6450318-00
Toggle Switch Operated	6458068-00
Push - Lock Operator	6463178-00

TABLE 3

CONTACT BLOCKS & ACCESSORIES	
Description	Part Number
Type A Normally Open	6455788-00
Type B Normally Closed	6455778-00
Type A Normally Open, Early Make	6455788-00
Type B Normally Closed, Late Break	6455758-00
Mechanical Interlock	6455948-00
Maintained Contact Latch	6455748-00
Hole Plug	6450358-00

TABLE 4

COMPLETE ELEMENT	
Description	Part Number
1 Speed Element (2 Button)	0107356-00
2 Speed Element (2 Button)	6465498-00
5 Speed Element (2 Button)	0107357-00
Stop - Start Element Momentary (2 Button)	0545407-00
Stop - Start Element Maintained (2 Button)	0599192-00
2 Speed Element (Snap Action)	0512271-00
1 Speed Element (Snap Action)	6415482-00
Potentiometer Asm 1000 Ohm	6451821-01
Pilot Light Red 115 Volt	6455858-00

TABLE 5

PB CORD, SPRING AND KELLEMS GRIP				
	PB Cord 16 AWG Type SO	Cord Fitting	Spring	Kellems Grip
16 - 4	6431251-81	6401569-07	6417911-01	6430038-00
16 - 6	0116606-00	6401569-10	6417911-02	6465478-00
16 - 7	6432161-81	6401569-10	6417911-02	6465478-00
16 - 8	0116604-00	6401569-20	6417911-02	6423138-00
16 - 10	6400119-81	6401569-26	6417911-03	6439088-00
16 - 12	6400129-81	6401569-26	6417911-03	6439088-00
16 - 14	6400139-81	6401569-26	6417911-03	6435578-00
16 - 16	6400149-81	.	.	6435578-00
16 - 18	6400159-81	.	.	6435578-00
16 - 20	6400169-81	.	.	6435578-00
16 - 22	6400179-81	.	.	6435578-00

*Fittings & Springs Not Available On This Size P.B. Cord.
Use Kellems Grips.

TABLE 6

REDUCER BUSHINGS		LOCKNUT	
Size Inch	Part Number	Size Inch	Part Number
3/4 To 1/2	0103811-00	1/2	0103739-00
1 To 1/2	0103812-00	3/4	0103740-00
1 To 3/4	0103813-00	1	0103741-00
1 1/4 To 3/4	0103814-00	1 1/4	0103742-00
1 1/2 To 1	0103815-00		

TABLE 7

HANGER BRACKET	
Description	Part Number
Bracket For 1/2 Inch Fitting	6444884-00
Bracket For 3/4 Inch Fitting	6441674-00
Bracket For 1 Inch Fitting	6441624-01
Bracket For 1 1/4 Inch Fitting	6441624-02

TABLE 8

SELF - ADHESIVE NAME PLATES	
Part Number	Marking
6456468-00	Hoist
6456478-00	Trolley
6456488-00	Bridge
6456498-00	Crane
6456508-00	Up - Down
6456518-00	FWD - REV.
6456528-00	North - South
6456538-00	East - West
6456548-00	On - Off
6456558-00	Start - Stop
6456568-00	Right - Left
6456578-00	Reset - Stop
6456588-00	In - Out
6456598-00	Power

FORM NO. 165-909-017

09-017

When Replacement Parts Are Needed, Order Only Yale® Factory Engineered Parts

EW SERIES

JUNE 1981

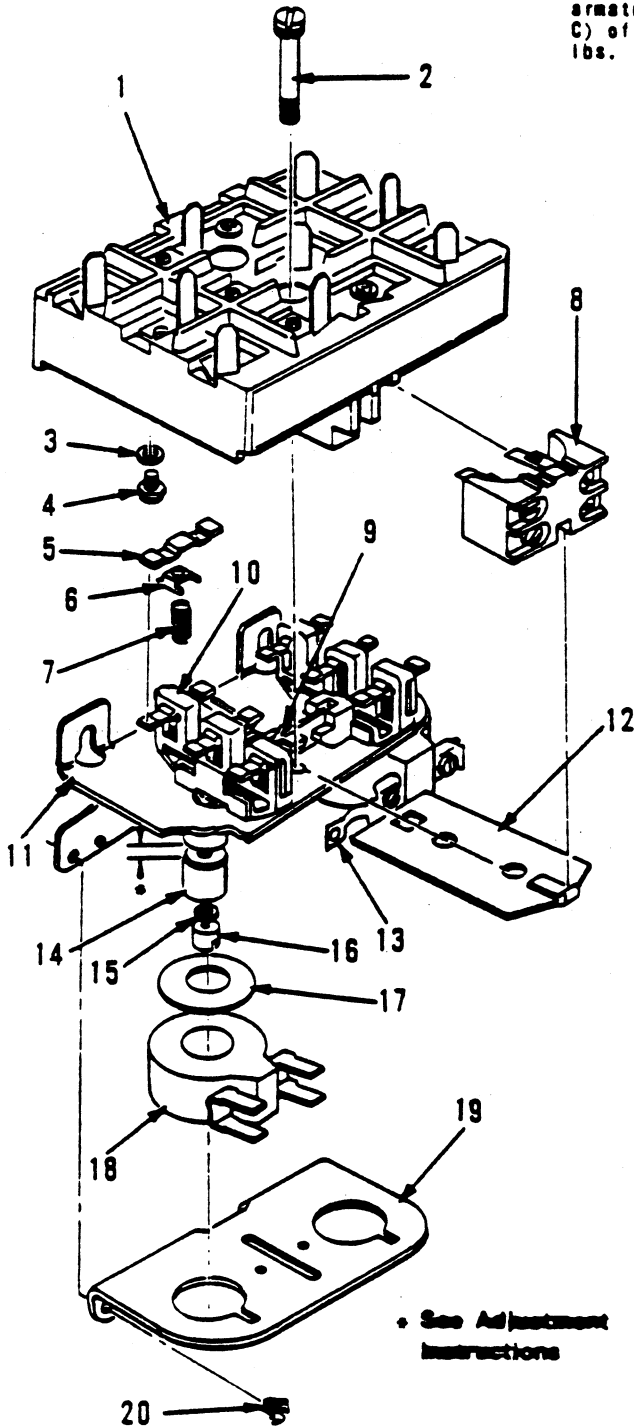


SECTION L

CONTROLS

Reversing Contactors SQUARE D AC, TYPE R - SERIES A, B AND C, THROUGH 3 HORSE POWER

ADJUSTMENT INSTRUCTIONS-If armature solenoid is removed, it should be adjusted when reassembled by screwing armature within 13/64 (Series A) or 15/64 (Series B and C) of magnet core and locking with slotted nut to 20 in.-lbs. torque.



CONTACTS-To inspect the contacts, remove contact block 1. All contacts are silver alloy and are not harmed by discoloration and slight pitting. **DO NOT FILE THEM**; replace only when silver has worn thin. Movable contact finger 5 is removed by pulling straight out. To release stationary contacts 4, unscrew from underside of contact block 1.

When contacts are replaced, contact springs 6 should also be replaced.

A complete set of replacement contacts may be obtained by ordering part number 6400028-00 contact parts kit.

MAGNET COILS-To replace magnet coil 18, first disconnect coil leads. Next, remove coil jumper 13 connecting the two coils together. Remove screws 20 which release the bottom plate 19. Slide the coil from the magnet frame.

BOTH ARMATURE ASSEMBLIES MUST BE COMPLETELY DROPPED OUT WHEN THE ELECTRICAL INTERLOCK IS INSTALLED.

COMPLETE CONTACTOR WITH FAST ON TYPE TERMINALS AND MECHANICAL INTERLOCKS-WITHOUT JUMPERS

COIL VOLTAGE	HERTZ	PART NUMBER
24	50/60	6401559-01
110	50/60	6401559-02
24	25	6401559-03
440	50/60	6401559-04
230	50/60	6401559-05

IF JUMPERS AND TERMINALS ARE REQUIRED ORDER JUMPERS PART NUMBER 6436708-01 AND WIRE TERMINAL PART NUMBER 6443028-01

COMPLETE CONTACTOR WITH FAST ON TYPE TERMINALS AND MECHANICAL INTERLOCKS-WITH JUMPERS AND WIRE TERMINALS.

COIL VOLTAGE	HERTZ	PART NUMBER
24	50/60	5037490-00
110	50/60	5037500-00

YC-0403

155-603-033

When Replacement Parts Are Needed, Order Only YALE[®] Factory Engineered Parts

REVISED APRIL 1973

REVERSING CONTACTOR

SECTION L

CONTROLS



Reversing Contactors SQUARE D

AC. TYPE R - SERIES A, B AND C, THROUGH 3 HORSE POWER

ITEM NUMBER	PART NUMBER	DESCRIPTION	QTY
1	6457328-01	CONTACT BLOCK ONLY (With Slip On Connectors)	*1
2	6409218-00	SCREW, 10-24 x 1 1/4	2
3	0150254-00	LOCKWASHER	*12
4	6400038-00	STATIONARY CONTACT SCREW	*12
5	6400048-00	MOVABLE CONTACT	*6
6	6400058-00	RETAINER	*6
7	6409208-00	CONTACT SPRING	6
8	6446608-01	ELECTRICAL INTERLOCK N.O.	1
	6446608-02	ELECTRICAL INTERLOCK N.C.	1
9	6409248-00	MECHANICAL INTERLOCK	1
10	6409238-00	CONTACT CARRIER	**2
11	6409228-00	BASE ASSEMBLY	1
12	6409308-00	INTERLOCK LATCH	1
13	6409298-00	COIL JUMPER	1
14	6409258-00	ARMATURE ASSEMBLY	***2
15	0150256-00	LOCKWASHER	2
16	6409268-00	SLOTTED NUT, 10-32	2
17	6409278-00	WASHER	2
18	SEE TABLE	MAGNETIC COIL	2
19	6409318-00	BOTTOM PLATE	1
20	6409328-00	SCREW ASSEMBLY, 8-32 x 1/4	2
21	6457328-02	SLIP ON CONNECTOR	4
22	6457328-03	CONTACT BLOCK ASSEMBLY (Includes Items 1, 3 and 4)	1

* Included In Parts Kit 6400028-00.

** Both The Contact Block Item 1 And Contact Contact Carrier Item 10 Must Be Ordered When Replacing Either Of These Items.

*** When Replacing Armature Assembly Item 14, A Slotted Nut Item 16 And Lockwasher Item 15 Must Be Ordered.

MAGNETIC COIL TABLE

HERTZ	24 VOLT	115 VOLT	230 VOLT	480 VOLT	575 VOLT
60	5030618-00	5030628-00	5030638-00	5030648-00	5030658-00
50	5030618-00	5030628-00	5030638-00	5030648-00	5030658-00
25	5030668-00	5030638-00	5030678-00		

When Replacement Parts Are Needed, Order Only YALE® Factory Engineered Parts

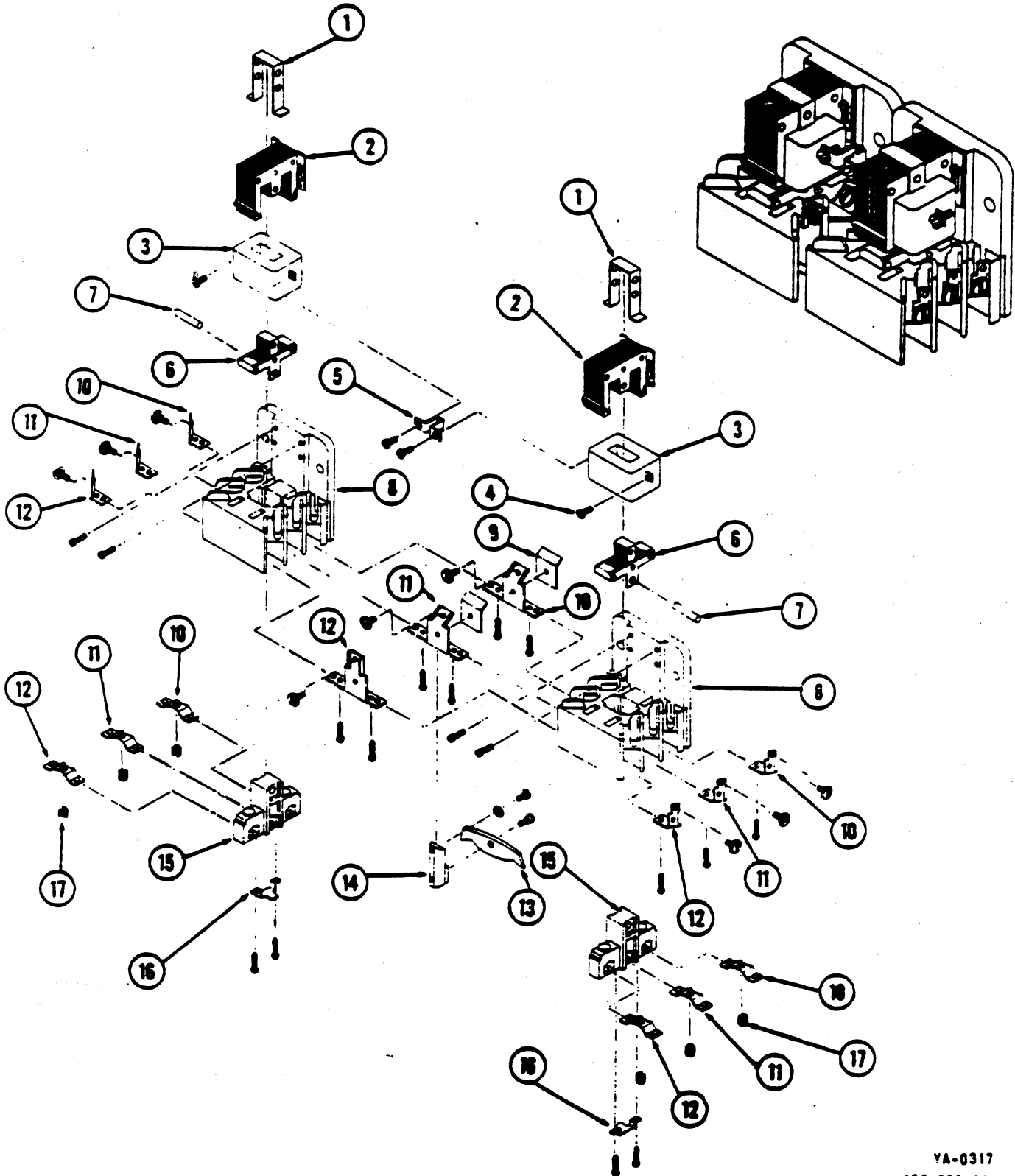
REVERSING CONTACTOR

REVISED APRIL 1973



SECTION L
CONTROLS

Reversing Contactor, Size 1



YA-0317
185-000-000

When Replacement Parts Are Needed, Order Only YALE[®] Factory Engineered Parts

AUGUST 1972

REVERSING CONTACTORS

**EW SERIES
REVERSING CONTACTORS - 7.5 H.P.**

Complete Contactor With Auxilliary Contacts

Coil	Volts	With Jumpers	Without Jumpers
24V	60 HZ.	6428010-00	6428060-00
110V	60 HZ.	6428020-00	6428070-00

Complete Contactor Without Auxilliary Contacts

Coil	Volts	With Jumpers	Without Jumpers
24V	60 HZ.	6400219-01	6400219-06
110V	60 HZ.	6400219-02	6400219-07

Item No.	Part Number	Description	Qty.
1	6417518-06	Coil Retainer	*2
2	6417518-04	Magnet	**2
3	SEE TABLE	Magnet Coil	*2
5	NOT AVAILABLE	Metal Jumper	1
6	6417518-05	Armature Assembly	**2
7	6417518-03	Pusher Pin	**2
8	6417518-08	Contact Block	2
9	NOT AVAILABLE	Paper Insulator	2
10	6406188-00	Contact Parts Kit	1
13	6417518-01	Interlock Bar	1
14	6417518-02	Interlock Bar Support	1
15	6417518-07	Cross Arm	2
16		Interlock Stop	2

- * When Replacing Magnetic Coil The Coil Retainer, Item 1, Must Be Ordered.
- ** The Armature, Item 6, Magnet, Item 2 And Pusher Pin, Item 7, Must Be Ordered As A Unit When Replacing.

Magnetic Coil Table

Hertz	24 Volt	115 Volt
50	6417518-13	6417518-14
60	6417518-13	6417518-14

FORM NO. 185-909-009

When Replacement Parts Are Needed, Order Only Yale® Factory Engineered Parts

EW SERIES

JUNE 1981



SECTION L
CONTROLS

Reversing Contactor SQUARE D
3 POLE, TYPE U, 10 HORSE POWER 6455808-00

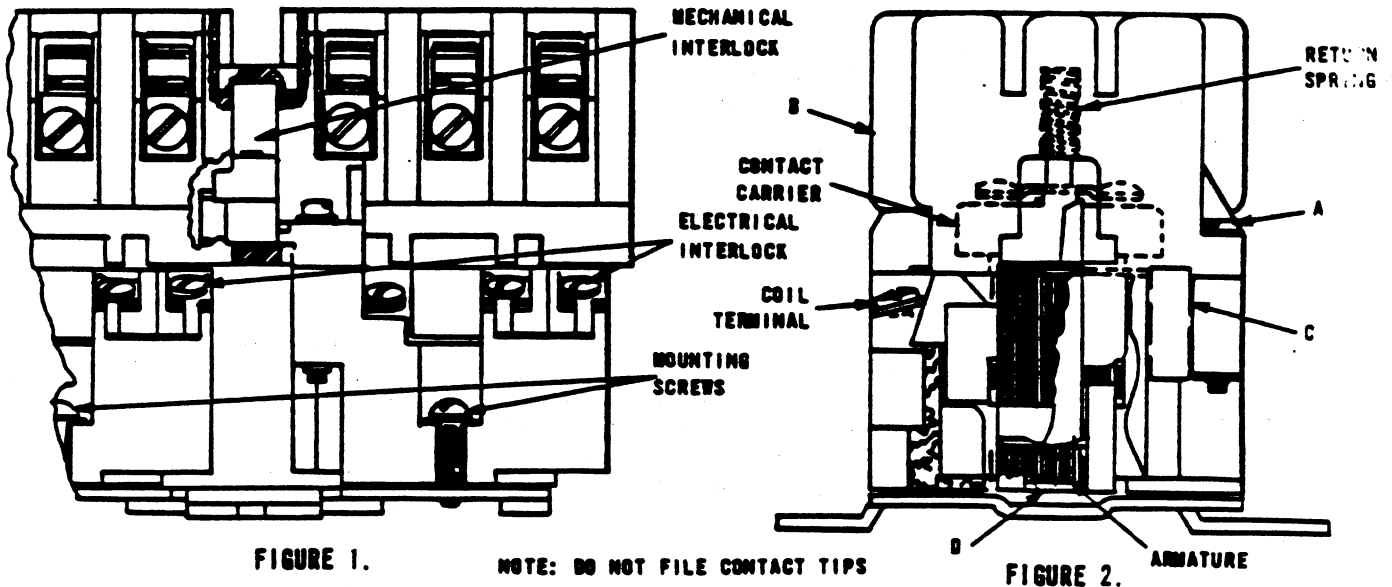


FIGURE 1.

NOTE: DO NOT FILE CONTACT TIPS

FIGURE 2.

DISASSEMBLY

1. Remove contact block assembly (See B in Figure 2) by removing screws at A.
2. Remove magnet retainers at C.
3. Pull contact carrier, along with magnet, armature and coil, from base.
4. Remove coil by releasing armature clip D.

3 POLE CONTACT REPLACEMENT KIT 6455898-00

All contact replacement kits contain a contact block assembly including N.O. stationary contacts, movable contacts, return springs and contact springs.

When ordering replacement coils give part number, voltage and frequency of coil being replaced.

REASSEMBLY

1. Place magnet onto coil so flat side of coil is adjacent to pole faces of magnet.
2. Slide contact carrier down over magnet and coil. Secure armature to carrier legs with clip. Machined surfaces of armature must rest against magnet pole faces.
3. Place assembly and electrical interlock (if used) into base housing.
4. Place magnet retainers (See C in Figure 2) in position with the long extension on retainers engaging magnet.
5. Place contact block assembly onto base housing while guiding return springs into proper position in contact block. Replace and tighten screws at A.

3 POLE REVERSING CONTACTOR TABLE

HERTZ	VOLTAGE	CONTACTOR PART NUMBER	COILS PART NUMBER
50/60	24	6455808-01	6453168-00
50/60	120	6455808-02	6453178-00
50/60	230	6455808-03	6453188-00
50/60	480	6455808-04	6453198-00
50/60	550	6455808-05	6453208-00

N.O. INTERLOCKS 6453218-00
N.C. INTERLOCKS 6453228-00

YA-0404

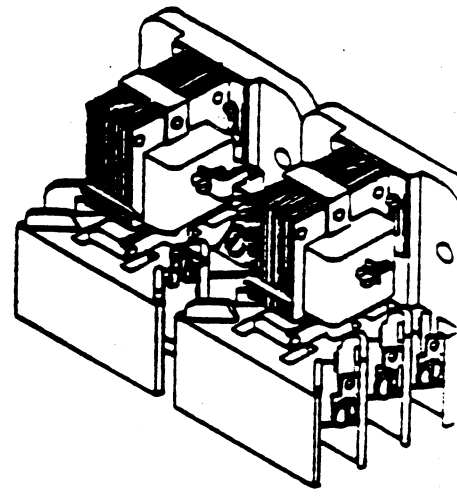
165-909-019

When Replacement Parts Are Needed, Order Only YALE[®] Factory Engineered Parts



SECTION L
CONTROLS

Reversing Contactor



HOIST REVERSING CONTACTOR

5 HP	120 VOLTS 1 PHASE
10 HP	230 VOLTS 1 PHASE
20 HP	200/230 VOLTS 3 PHASE
30 HP	460/575 VOLTS 3 PHASE

EATON PART NO.	DESCRIPTION	COIL VOLTS	ROWAN NO.
642498101	CONTACTOR	24V 60HZ	2200R EBAR630CA
642498102	CONTACTOR	115V 60HZ	2200R EBAR 630AA
642498103	CONTACTOR	230V 60HZ	2200R EBAR 630BA
642498110	REPAIR KIT		2090EBA630
642498111	COIL	24V 60HZ	
642498112	COIL	115V 60HZ	
642498113	COIL	230V 60HZ	
642498120	ALX. CONTACT		EBS

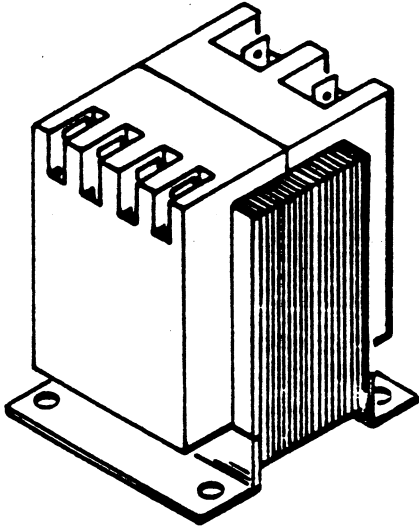
VENDOR REF	TITLE REVERSING CONTACTOR		
USED ON			
FIRST ORDER NO.			
SIMILAR TO	DRAWN BY F. WINTER	DATE 3-4-75	
<small>NOTICE TO PERSONS RECEIVING THIS DRAWING AND/OR TECHNICAL INFORMATION: EATON CORPORATION CLAIMS PROPRIETARY RIGHTS TO THE MATERIAL ENCLOSED HEREON. THIS DRAWING AND/OR TECHNICAL INFORMATION IS ISSUED IN CONFIDENCE FOR ENGINEERING INFORMATION ONLY AND MAY NOT BE REPRODUCED OR USED TO MANUFACTURE ANYTHING THEREOF OR REFERRED TO HEREIN WITHOUT WRITTEN PERMISSION FROM EATON CORPORATION. TO THE USER THIS DRAWING AND/OR TECHNICAL INFORMATION IS THE PROPERTY OF EATON CORPORATION AND IS LOANED FOR MUTUAL ADVANTAGE TO BE RETURNED WHEN ITS PURPOSE HAS BEEN SERVED. THIS DRAWING AND/OR TECHNICAL INFORMATION IS THE PROPERTY OF EATON CORPORATION</small>	CHECKED BY	DATE	
	SCALE	DRAWING NUMBER	
		642498100	
	CLASS SUB PROD		
EATON		Eaton Corporation Hoisting Equipment Division Highway No. 1 North Forrest City, Arkansas 72335	

When Replacement Parts Are Needed, Order Only YALE[®] Factory Engineered Par

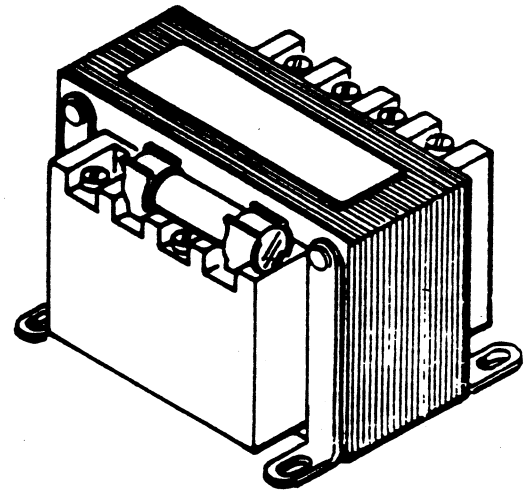
REVERSING CONTACTOR



Transformers



GROUP A



GROUP B

VA	PRIMARY VOLTS	SECONDARY VOLTS	HERTZ	PART NUMBER
25	115/230	24	50/60	6437393-01
	230/460	24	50/60	6437393-02
	115/230	110	50/60	6437393-03
	230/460	110	50/60	6437393-04
	200	24	50/60	6437393-05
	200	110	50/60	6437393-06
	575	24	50/60	6437393-07
	575	110	50/60	6437393-08

GROUP B (Including Fuse)

50	200	115	50/60	6437373-01
	230/460	115	50/60	6437373-02
	575	115	50/60	6437373-03
	200	24	50/60	6437373-04
	230/460	24	50/60	6437373-05
	575	24	50/60	6437373-06
150	200	115	50/60	6437373-07
	230/460	115	50/60	6437373-08
	575	115	50/60	6437373-09
	200	24	50/60	6437373-10
	230/460	24	50/60	6437373-11
	575	24	50/60	6437373-12

GROUP A Replaces Transformer Series 6424213.

GROUP B Replaces Transformer Series 5003119.

74-0353

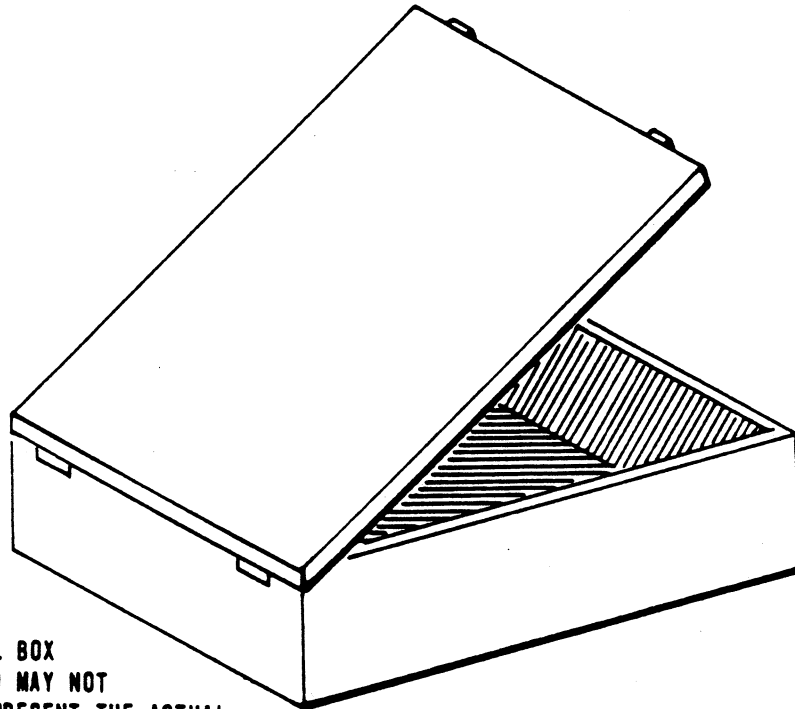
83-009-008

When Replacement Parts Are Needed, Order Only YALE® Factory Engineered Parts



SECTION L
CONTROLS

Control Box



NOTE: THE CONTROL BOX ILLUSTRATED MAY NOT EXACTLY REPRESENT THE ACTUAL APPEARANCE OF YOUR CONTROL BOX. HOWEVER, IT IS TYPICAL.

YA-0269

CE Series

ITEM NUMBER	PART NUMBER	DESCRIPTION	QUANTITY
Use Item Checked			
<input type="checkbox"/> 1	0113880-00	CONTROL BOX.....	1
<input type="checkbox"/> 2	5000646-00	CONTROL BOX.....	1
<input type="checkbox"/> 3	5017306-00	CONTROL BOX.....	1
<input type="checkbox"/> 4	5019816-00	CONTROL BOX.....	1
<input type="checkbox"/> 5	5019826-00	CONTROL BOX.....	1
<input type="checkbox"/> 6	5019836-00	CONTROL BOX.....	1
<input type="checkbox"/> 7	5027026-00	CONTROL BOX.....	1
<input type="checkbox"/> 8	6400426-00	CONTROL BOX.....	1
<input type="checkbox"/> 9	_____	CONTROL BOX.....	1

TT Series

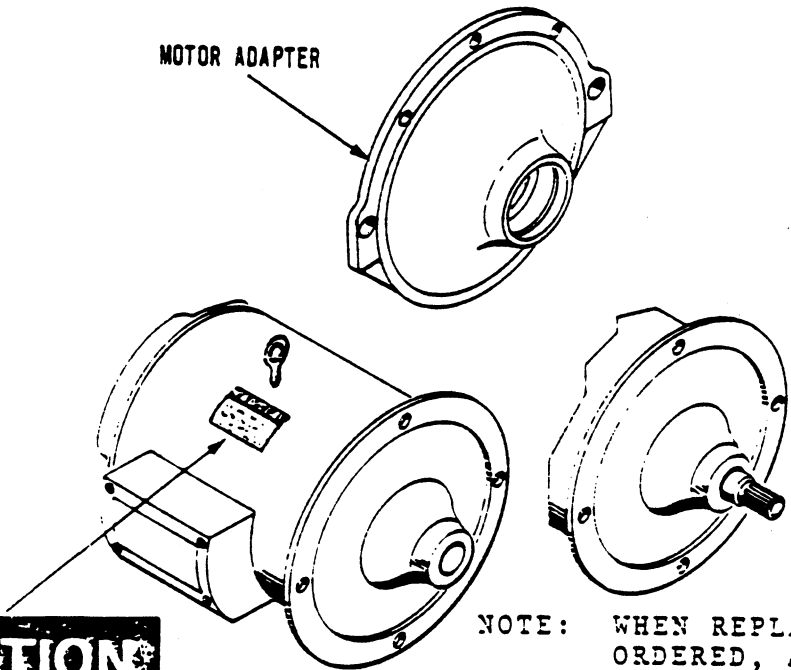
ITEM NUMBER	PART NUMBER	DESCRIPTION	QUANTITY
Use Item Checked			
<input type="checkbox"/> 1	6441846 00	CONTROL BOX.....	1
<input type="checkbox"/> 2	0542518-00	CONTROL BOX WITH 0542563-00 ADAPTER.....	1
<input type="checkbox"/> 3	_____	CONTROL BOX.....	1

When Replacement Parts Are Needed, Order Only YALE® Factory Engineered Parts



SECTION M
MOTORS

Motors



CAUTION

EYEBOLTS FOR LIFTING WEIGHT OF MOTOR ONLY. TO AVOID SERIOUS INJURY, DO NOT USE IF MOTOR IS ATTACHED TO OTHER EQUIPMENT.
DECAL NO. 642805100

NOTE: WHEN REPLACEMENT MOTOR IS ORDERED, ALSO ORDER (1) CAUTION DECAL 642805100

YA-0270

THE MOTOR ILLUSTRATED ABOVE MAY NOT EXACTLY REPRESENT THE ACTUAL APPEARANCE OF THE MOTOR. HOWEVER, IT IS TYPICAL

IMPORTANT:

When Ordering Motor Parts It Is Imperative That Complete Motor Name Plate Reading And Serial Number Of Hoist Be Furnished.

Hoist Serial Number _____

MOTOR NUMBER _____

MOTOR ADAPTER

CHASSIS	MOTOR FRAME	CAST PART NUMBER	FABRICATED PART NUMBER
B	56	6421956-00	N/A
B	140-210	6421966-00	0656373-00
C	140-210	6442436-00	N/A
C	250	6409557-00	6442456-00
D	140-210	6409547-00	6409567-00
D	250-280	6409537-00	6409527-00
E	140-210	6400137-02	N/A
E	250-280	6400137-01	0658331-00
F	320	6400147-00	5000396-00

100-800-001

When Replacement Parts Are Needed, Order Only YALE[®] Factory Engineered Parts

REVISED MARCH 1977

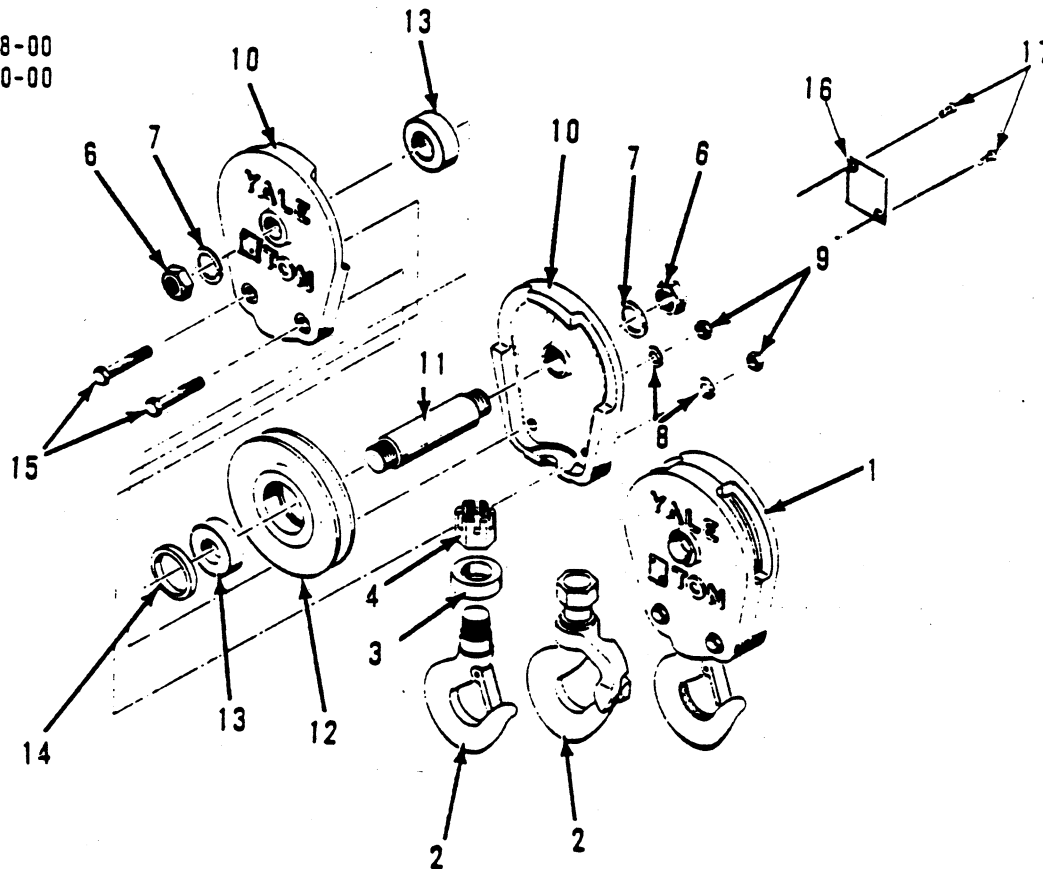
MOTORS



SECTION N
BOTTOM BLOCKS

CE Series 2 PART SINGLE
Bottom Block Assembly

ASSEMBLIES 0500878-00
6407040-00



NOTE: When Ordering Repair Parts For Spark Resistant Bottom Blocks, Always Reference The Assembly Number Listed Below, Give Part Number And Quantity Required.

SPARK RESISTANT BOTTOM BLOCK ASSEMBLY _____

REEVING	MODEL	CAP	ROPE SIZE	ASSEMBLY NBR
S2	PD & PE	5 TON	9/16"	0500878-00
S2	PD	5 TON	1/2"	6407040-00

YD-3339

1977-011-010

When Replacement Parts Are Needed, Order Only YALE[®] Factory Engineered Parts

REVISED MARCH 1977

CE SERIES

SECTION N

BOTTOM BLOCKS



CE Series Bottom Block Assembly

* 0500879-00 5 TON PARTS LISTING

ITEM NUMBER	PART NUMBER	DESCRIPTION	QTY
1	0500878-00	BOTTOM BLOCK ASSEMBLY (Includes Items 2 Through 18) BOTTOM BLOCK ASSEMBLY WITH BULLARD HOOK (Includes Items 2 Through 17)	1
2	6479080-00	HOOK AND LATCH ASSEMBLY	1
	6447694-00	BULLARD BURNHAM HOOK ASSEMBLY	1
3	0334120-00	HOOK BEARING	1
4	6401379-03	SLOTTED NUT	1
5	0616475-00	ROLL PIN	1
6	0149720-00	HEX NUT FOR SHAFT	1
7	0150266-00	WASHER	2
8	0150376-00	LOCKWASHER	2
9	0106647-00	HEX NUT	2
10	0666656-00	BLOCK HALF	2
11	0500865-00	SHAFT	1
12	0109930-00	SHEAVE	1
13	0100822-00	BEARING	1
14	0116322-00	SPACER	1
15	0622399-00	CAP SCREW	2
16	5000381-00	NUTRAL S	2
17	0149896-00	DRIVE SCREW	4
18	0669406-00	LATCH KIT (Includes Latch, Spring And Rivet)	1

* 6407040-00 5 TON PARTS LISTING

ITEM NUMBER	PART NUMBER	DESCRIPTION	QTY
1	6407040-00	BOTTOM BLOCK ASSEMBLY (Includes Items 2 Through 18) BOTTOM BLOCK ASSEMBLY WITH BULLARD HOOK (Includes Items 2 Through 17)	1
2	6479080-00	HOOK AND LATCH ASSEMBLY	1
	6447694-00	BULLARD BURNHAM HOOK ASSEMBLY	1
3	0334120-00	HOOK BEARING	1
4	6401379-03	SLOTTED NUT	1
5	0616475-00	ROLL PIN	1
6	0149720-00	HEX NUT FOR SHAFT	1
7	0150266-00	WASHER	2
8	0150376-00	LOCKWASHER	2
9	0106647-00	HEX NUT	2
10	0666656-00	BLOCK HALF	2
11	0500865-00	SHAFT	1
12	6401593-00	SHEAVE	1
13	0100822-00	BEARING	1
14	0116322-00	SPACER	1
15	0576997-00	CAP SCREW	2
16	5000381-00	NUTRAL S	2
17	0149896-00	DRIVE SCREW	4
18	0669406-00	LATCH KIT (Includes Latch, Spring And Rivet)	1

* Use Parts Group Checked And State Quantity Required.

When Replacement Parts Are Needed, Order Only YALE[®] Factory Engineered Parts

CE SERIES

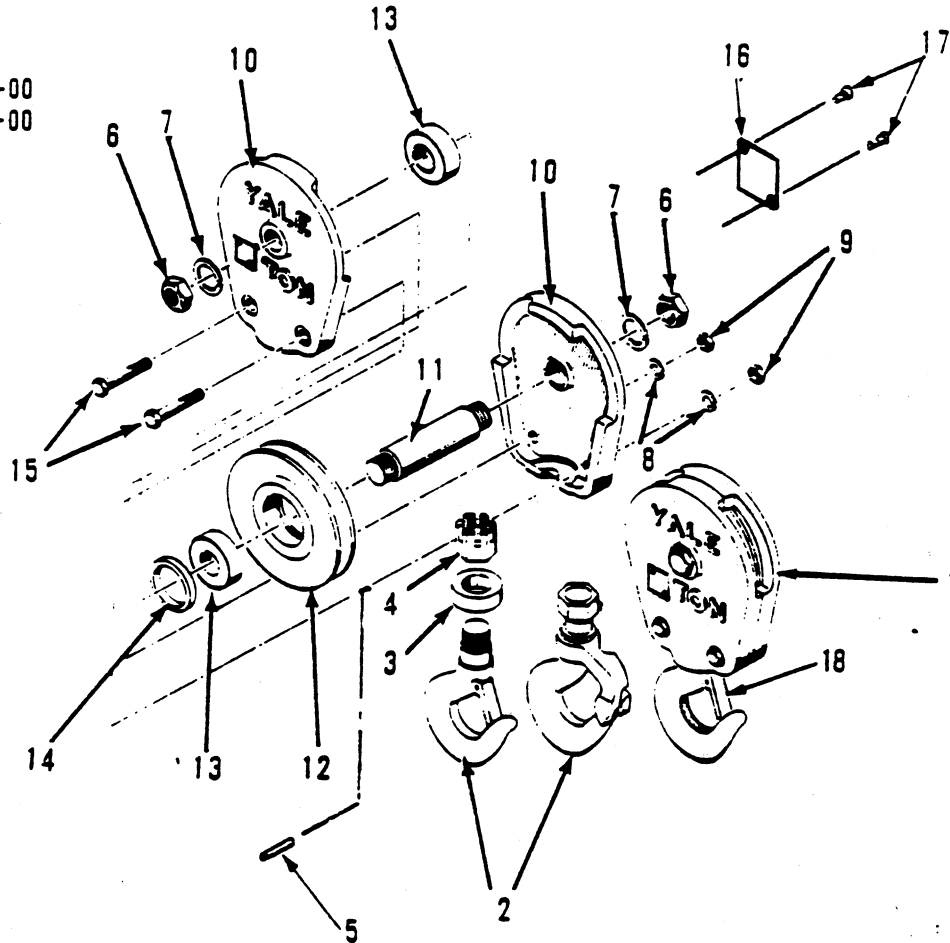
REVISED MARCH 1977



SECTION N
BOTTOM BLOCKS

CE Series 2 PART SINGLE
Bottom Block Assembly

ASSEMBLIES 0500879-00
0664865-00



NOTE: When Ordering Repair Parts For Spark Resistant Bottom Blocks. Always Reference The Assembly Number Listed Below. Give Part Number And Quantity Required.

SPARK RESISTANT BOTTOM BLOCK ASSEMBLY _____

REEVING	MODEL	CAP	ROPE SIZE	ASSEMBLY NBR
S2	PE	6 TON	5/8"	0500879-00
S2	PE	7 1/2TON	5/8"	0664865-00

YD-0338

188-311-314

When Replacement Parts Are Needed, Order Only YALE® Factory Engineered Parts

REVISED MARCH 1977

CE SERIES

SECTION N

BOTTOM BLOCKS


CE Series 2 PART SINGLE
Bottom Block Assembly
 * 0500879-00 6 TON PARTS LISTING

ITEM NUMBER	PART NUMBER	DESCRIPTION	QTY
1	0500879-00 6497270-00	BOTTOM BLOCK ASSEMBLY (Includes Items 2 Through 18) BOTTOM BLOCK ASSEMBLY WITH BULLARD HOOK (Includes Items 2 Through 17)	1 1
2	6479080-00 6453214-00	HOOK AND LATCH ASSEMBLY BULLARD BURNHAM HOOK ASSEMBLY	1 1
3	0334120-00	HOOK BEARING	1
4	6401379-03	SLOTTED NUT 1 1/4"-12	1
5	0616475-00	ROLL PIN	1
6	0149720-00	HEX NUT FOR SHAFT 1 1/2"-6	2
7	0150266-00	WASHER 1/2"	2
8	0150376-00	LOCKWASHER 1 1/2"	2
9	0106647-00	HEX NUT 1/2"	2
10	0666656-00	BLOCK HALF	2
11	0500865-00	SHAFT	1
12	0109930-00	SHEAVE	1
13	0100822-00	BEARING	2
14	0116322-00	SPACER	1
15	0576997-00	CAP SCREW	2
16	5000391-00	NUMERAL 6	2
17	0149896-00	DRIVE SCREW	4
18	0669406-00	LATCH KIT (Includes Latch, Spring And Rivet)	1

 * 0664865-00 7 1/2 TON PARTS LISTING

ITEM NUMBER	PART NUMBER	DESCRIPTION	QTY
1	0664865-00	BOTTOM BLOCK ASSEMBLY (Includes Items 2 Through 18) BOTTOM BLOCK ASSEMBLY WITH BULLARD HOOK (Includes Items 2 Through 17)	1 1
2	6479080-00 6453214-00	HOOK AND LATCH ASSEMBLY BULLARD BURNHAM HOOK ASSEMBLY	1 1
3	0334120-00	HOOK BEARING	1
4	6401379-03	SLOTTED NUT 1 1/4"-12	1
5	0616475-00	ROLL PIN	1
6	0149720-00	HEX NUT FOR SHAFT 1 1/2"-6	2
7	0150266-00	WASHER 1/2"	2
8	0150376-00	LOCKWASHER 1 1/2"	2
9	0106647-00	HEX NUT	2
10	0666656-00	BLOCK HALF	2
11	0500865-00	SHAFT	1
12	0109930-00	SHEAVE	1
13	0100822-00	BEARING	2
14	0116322-00	SPACER	1
15	0576997-00	CAP SCREW	2
16	5000401-00	NUMERAL 7 1/2	2
17	0149896-00	DRIVE SCREW	4
18	0669406-00	LATCH KIT (Includes Latch, Spring And Rivet)	1

* Use Parts Group Checked And State Quantity Required.

When Replacement Parts Are Needed, Order Only YALE[®] Factory Engineered Parts

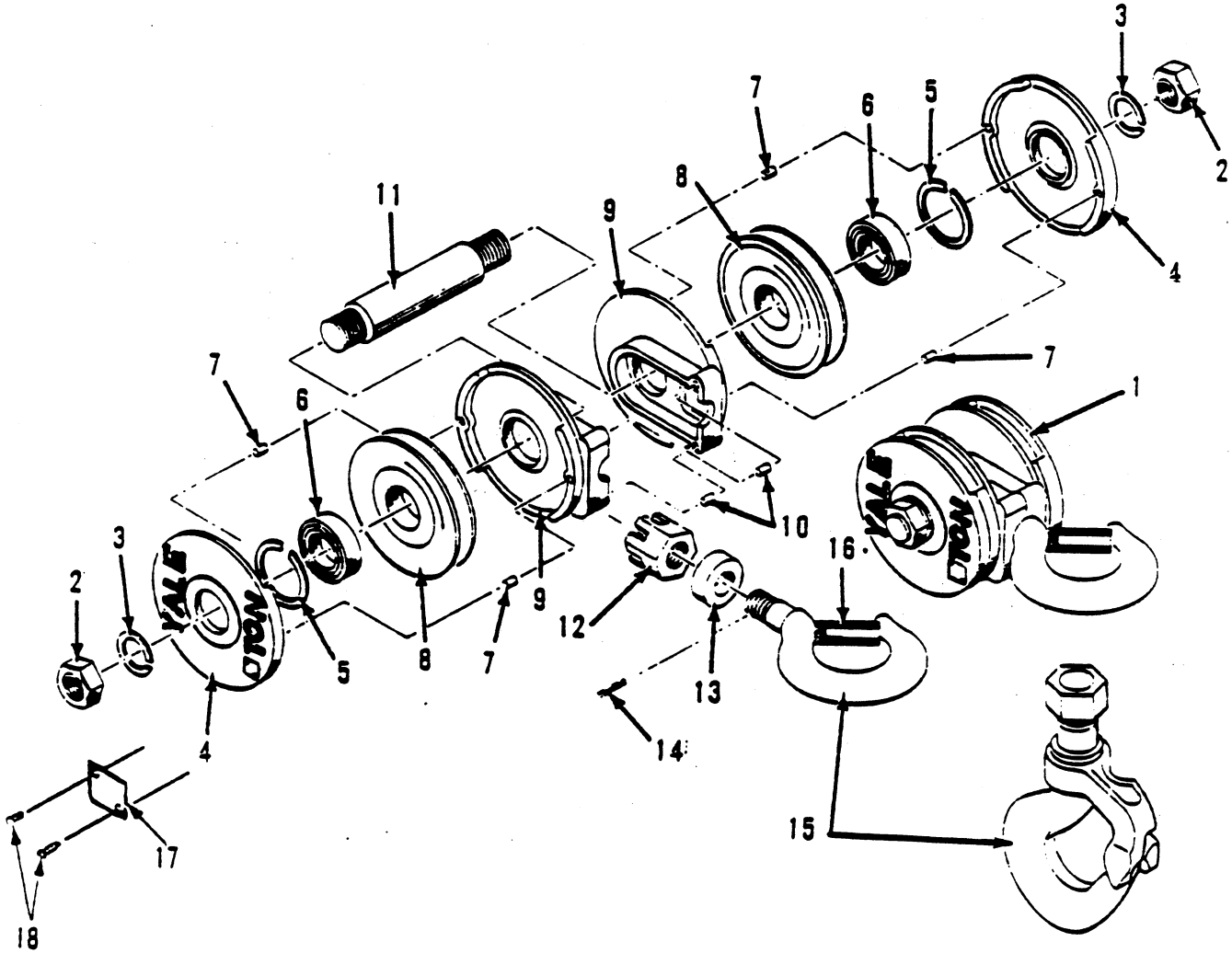
CE SERIES

REVISED MARCH 1977



SECTION N
BOTTOM BLOCKS

CE Series FOR 4 AND 5 TON LOW HEADROOM CE SERIES HOISTS
Bottom Block Assembly 2 PART DOUBLE AND 4 PART SINGLE



NOTE: When Ordering Repair Parts For Spark Resistant Bottom Blocks, Always Reference The Assembly Number Listed Below, Give Part Number And Quantity Required.

SPARK RESISTANT BOTTOM BLOCK ASSEMBLY _____

REEVING	MODEL	CAP	ROPE SIZE	ASSEMBLY NBR
D2	LD & LE	5 TON	7/16"	0334116-00
S4	XC5	5 TON	3/8	6404470-00
D2	LD5	5 TON	3/8	6404470-00

YE-3334

122-911-310

When Replacement Parts Are Needed, Order Only YALE® Factory Engineered Parts

REVISED MARCH 1977

CE SERIES

SECTION N

BOTTOM BLOCKS



CE Series FOR 4 AND 5 TON LOW HEADROOM CE SERIES HOISTS Bottom Block Assembly 2 PART DOUBLE AND 4 PART SINGLE

• 4 TON PARTS LISTING

ITEM NUMBER	PART NUMBER	DESCRIPTION	QTY
1	0334113-00	BOTTOM BLOCK ASSEMBLY (Includes Items 2 Through 18)	1
		BOTTOM BLOCK ASSEMBLY, WITH BULLARD HOOK (Includes Items 2 Through 15 Plus 17 And 18)	1
2	0149720-00	JAM NUT	2
3	0130376-00	LOCKWASHER	2
4	0666637-00	BOTTOM BLOCK COVER	2
5	3003439-15	RETAINING RING	2
6	0100822-00	BALL BEARING	2
7	0116331-00	DOWEL PIN	4
8	0109913-00	SHEAVE	2
9	0332481-00	BOTTOM BLOCK CENTER	2
10	0116331-00	DOWEL PIN	2
11	0334121-00	SHAFT	1
12	6401379-03	SLOTTED NUT	1
13	0334120-00	HOOK BEARING	1
14	0616475-00	ROLL PIN	1
15	6479080-00	HOOK AND LATCH ASSEMBLY	1
		BULLARD HOOK AND LATCH ASSEMBLY	1
16	0669406-00	LATCH KIT	1
17	3000371-00	MUNERAL 4	2
18	0149896-00	DRIVE SCREW	2

• 5 TON PARTS LISTING

ITEM NUMBER	PART NUMBER	DESCRIPTION	QTY
1	0334116-00	BOTTOM BLOCK ASSEMBLY (Includes Items 2 Through 18)	1
	0644833-00	BOTTOM BLOCK ASSEMBLY, WITH BULLARD HOOK (Includes Items 2 Through 15 Plus 17 And 18)	1
2	0149720-00	JAM NUT-1 1/2"-6	2
3	0130376-00	LOCKWASHER-1 1/2"	2
4	0666637-00	BOTTOM BLOCK COVER	2
5	3003439-15	RETAINING RING	2
6	0100822-00	BALL BEARING	2
7	0116331-00	DOWEL PIN	4
8	0109913-00	SHEAVE	2
9	0332481-00	BOTTOM BLOCK CENTER	2
10	0116331-00	DOWEL PIN	2
11	0334121-00	SHAFT	1
12	6401379-03	SLOTTED NUT 1 1/4"-12	1
13	0334120-00	HOOK BEARING	1
14	0616475-00	ROLL PIN	1
15	6479080-00	HOOK AND LATCH ASSEMBLY	1
	6447694-00	BULLARD HOOK AND LATCH ASSEMBLY	1
16	0669406-00	LATCH KIT	1
17	3000381-00	MUNERAL 5	2
18	0149896-00	DRIVE SCREW	2

• 5 TON PARTS LISTING

ITEM NUMBER	PART NUMBER	DESCRIPTION	QTY
1	6404470-00	BOTTOM BLOCK ASSEMBLY (Includes Items 2 Through 18)	1
	6434000-00	BOTTOM BLOCK ASSEMBLY, WITH BULLARD HOOK (Includes Items 2 Through 15 Plus 17 And 18)	1
2	0149720-00	JAM NUT 1 1/2"-6	2
3	0130376-00	LOCKWASHER 1 1/2"	2
4	0666637-00	BOTTOM BLOCK COVER	2
5	3003439-15	RETAINING RING	2
6	0100822-00	BALL BEARING	2
7	0116331-00	DOWEL PIN	4
8	6401373-00	SHEAVE	2
9	0332481-00	BOTTOM BLOCK CENTER	2
10	0116331-00	DOWEL PIN	2
11	0334121-00	SHAFT	1
12	6401379-03	SLOTTED NUT 1 1/4"-12	1
13	0334120-00	HOOK BEARING	1
14	0616475-00	ROLL PIN	1
15	6479080-00	HOOK AND LATCH ASSEMBLY	1
	6447694-00	BULLARD HOOK AND LATCH ASSEMBLY	1
16	0669406-00	LATCH KIT	1
17	3000381-00	MUNERAL 5	2
18	0149896-00	DRIVE SCREWS	2

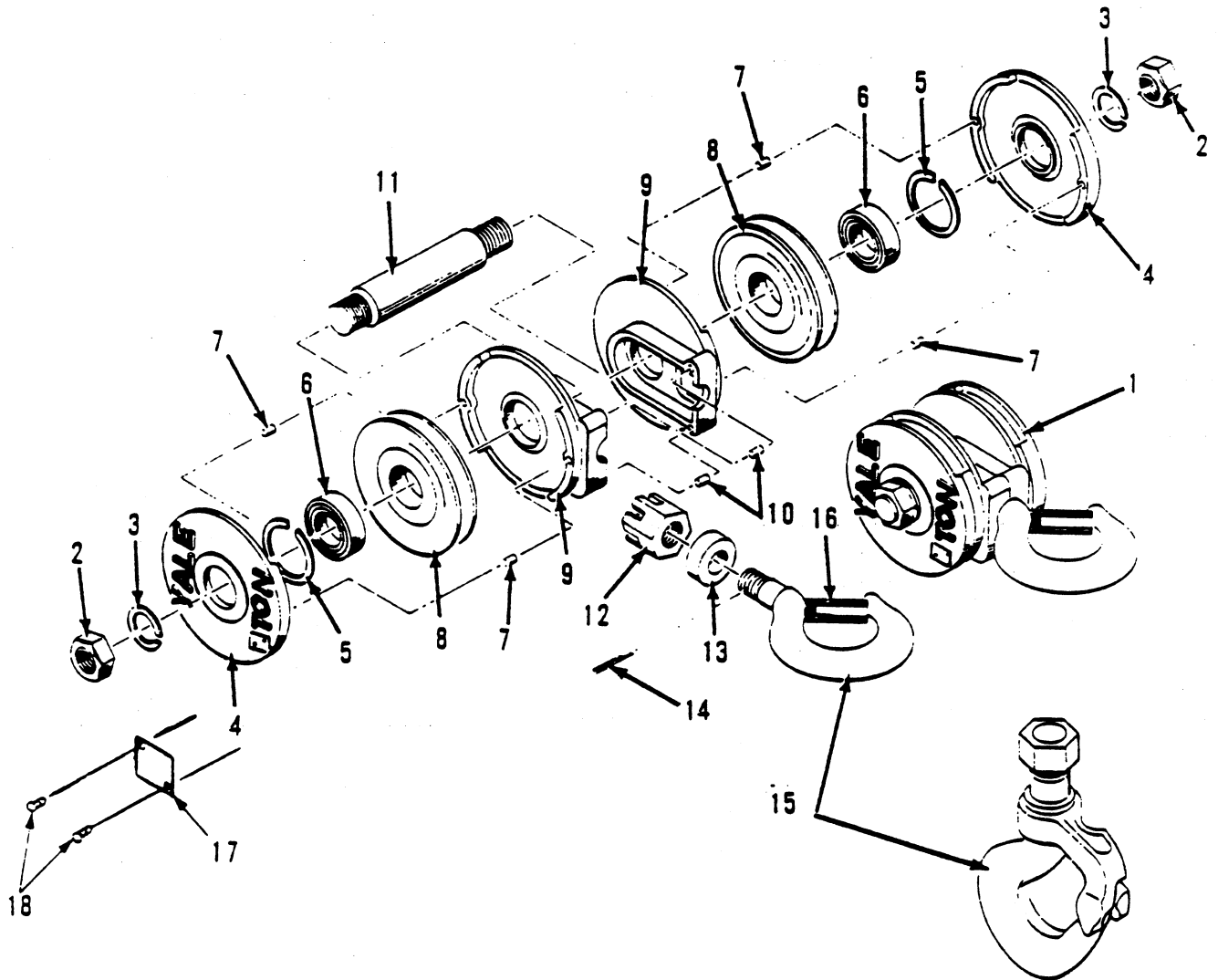
• Use Parts Group Checkers.

When Replacement Parts Are Needed, Order Only YALE[®] Factory Engineered Parts



SECTION N
BOTTOM BLOCKS

CE Series FOR 6 AND 7 1/2 TON LOW HEADROOM CE SERIES HOISTS
Bottom Block Assembly 2 PART DOUBLE AND 4 PART SINGLE



NOTE: When Ordering Repair Parts For Spark Resistant Bottom Blocks. Always Reference The Assembly Number Listed Below. Give Part Number And Quantity Required.

SPARK RESISTANT BOTTOM BLOCK ASSEMBLY _____

REEVING	MODEL	CAP	ROPE SIZE	ASSEMBLY NBR
D2	LE	6 TON	1/2"	0334117-00
D2	LE	7 1/2 TON	1/2"	0502448-00

YE-0334

033-611-011

When Replacement Parts Are Needed, Order Only YALE® Factory Engineered Parts

REVISED MARCH 1977

CE SERIES

SECTION N

BOTTOM BLOCKS



Yale

CE Series FOR 6 AND 7 1/2 TON LOW HEADROOM CE SERIES HOISTS
Bottom Block Assembly 2 PART DOUBLE AND 4 PART SINGLE

 * 6 TON PARTS LISTING

ITEM NUMBER	PART NUMBER	DESCRIPTION	QTY
1	0334117-00	BOTTOM BLOCK ASSEMBLY (Includes Items 2 Through 18)	1
		BOTTOM BLOCK ASSEMBLY, WITH BULLARD HOOK (Includes Items 2 Through 15 Plus 17 And 18)	1
2	0149720-00	JAM NUT	2
3	0150376-00	LOCKWASHER	2
4	0666657-00	BOTTOM BLOCK COVER	2
5	5003439-15	RETAINING RING	2
6	0100822-00	BALL BEARING	2
7	0116531-00	DOWEL PIN	4
8	0109913-00	SHEAVE	2
9	0332481-00	BOTTOM BLOCK CENTER	2
10	0116531-00	DOWEL PIN	2
11	0334121-00	SHAFT	1
12	6401379-03	SLOTTED NUT	1
13	0334120-00	HOOK BEARING	1
14	0616475-00	ROLL PIN	1
15	6479080-00	HOOK AND LATCH ASSEMBLY	1
	6453214-00	BULLARD HOOK AND LATCH ASSEMBLY	1
16	0669406-00	LATCH KIT	1
17	5000391-00	NUMERAL 6	2
18	0149896-00	DRIVE SCREW	4

 * 7 1/2 TON PARTS LISTING

ITEM NUMBER	PART NUMBER	DESCRIPTION	QTY
1	0502448-00	BOTTOM BLOCK ASSEMBLY (Includes Items 2 Through 18)	1
		BOTTOM BLOCK ASSEMBLY, WITH BULLARD HOOK (Includes Items 2 Through 15 Plus 17 And 18)	1
2	0149720-00	JAM NUT	2
3	0150275-00	LOCKWASHER	2
4	0666657-00	BOTTOM BLOCK COVER	2
5	0110023-00	RETAINING RING	2
6	0100822-00	BALL BEARING	2
7	0116531-00	DOWEL PIN	4
8	0109913-00	SHEAVE	2
9	0332481-00	BOTTOM BLOCK CENTER	2
10	0116531-00	DOWEL PIN	2
11	0334121-00	SHAFT	1
12	6401379-03	SLOTTED NUT	1
13	0334120-00	HOOK BEARING	1
14	0616475-00	ROLL PIN	1
15	6479080-00	HOOK AND LATCH ASSEMBLY	1
	6453214-00	BULLARD HOOK AND LATCH ASSEMBLY	1
16	0669406-00	LATCH KIT	1
17	5000401-00	NUMERAL 7 1/2	2
18	0149896-00	DRIVE SCREW	4

 * Use Parts Group Checked

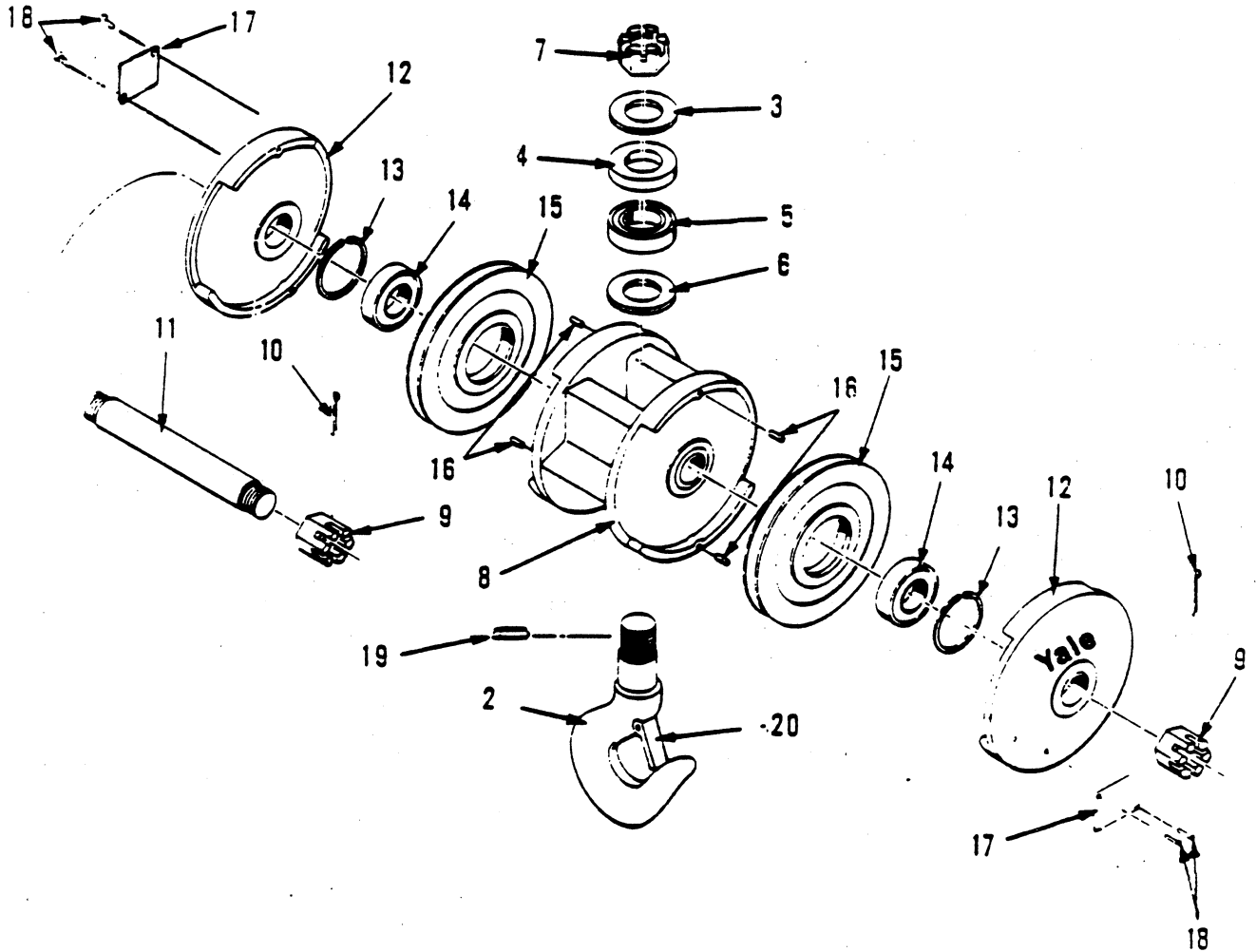
When Replacement Parts Are Needed, Order Only YALE® Factory Engineered Parts
 CE SERIES

REVISED MARCH 1977



SECTION N
BOTTOM BLOCKS

CE Series 8, 10, 12 AND 15 TON
Bottom Block Assembly



YD-0255

REEVING	MODEL	CAP	ROPE SIZE	ASSEMBLY NBR
S4	XD&XE	8 TON	9/16"	0101400-00
S4	XD&XE	10 TON	9/16"	0101376-00
S4	XE	12 TON	5/8"	0101397-00
S4	XE	15 TON	5/8"	6471610-00

188-911-006

When Replacement Parts Are Needed, Order Only YALE® Factory Engineered Parts

REVISED MARCH 1977

BOTTOM BLOCK ASSEMBLY

SECTION N

BOTTOM BLOCKS



CE Series 8.10.12 AND 15 TON Bottom Block Assembly

* 8.10 AND 12 TON PARTS LISTING

ITEM NUMBER	PART NUMBER	DESCRIPTION	QTY
1	0101400-00	BOTTOM BLOCK ASSEMBLY (8 TON)	
	0101376-00	BOTTOM BLOCK ASSEMBLY (10 TON)	
	0101397-00	BOTTOM BLOCK ASSEMBLY (12 TON)	
2	6479110-00	BOTTOM HOOK W/LATCH	1
3	0114241-00	WASHER	1
4	0116582-00	WASHER	1
5	0100916-00	TAPERED BEARING	1
6	0116320-00	SPACER	1
7	6435503-00	SLOTTED NUT	2
8	0101377-00	BOTTOM BLOCK CENTER	1
9	0150131-00	SLOTTED NUT	2
10	0102829-00	COTTER PIN	2
11	0109734-00	SHAFT	1
12	0666658-00	COVER	2
13	5003439-11	RETAINING RING	2
14	0100846-00	BEARING	2
15	6420046-00	SHEAVE	2
16	0116531-00	DOWEL PIN	4
17	5000411-00	NUMERAL 8	2
	5000421-00	NUMERAL 10	2
	5000431-00	NUMERAL 12	2
18	0149896-00	DRIVE SCREW	4
19	0577303-00	ROLL PIN	1
20	0616675-00	LATCH KIT	1

* 15 TON PARTS LISTING

ITEM NUMBER	PART NUMBER	DESCRIPTION	ITEM NUMBER	PART NUMBER	DESCRIPTION	QTY
1	6471610-00	BOTTOM BLOCK ASSEMBLY	11	0109734-00	SHAFT	1
2	6479110-00	BOTTOM HOOK W/LATCH	12	0666658-00	COVER	2
3	0114241-00	WASHER	13	5003439-11	RETAINING RING	2
4	0116582-00	WASHER	14	0100846-00	BEARING	2
5	0100916-00	TAPERED BEARING	15	6420046-00	SHEAVE	2
6	0116320-00	SPACER	16	0116531-00	DOWEL PIN	4
7	6435503-00	SLOTTED NUT	17	6418381-00	CAPACITY PLATE	2
8	0101377-00	BOTTOM BLOCK CENTER	18	0149896-00	DRIVE SCREW	8
9	0150131-00	SLOTTED NUT	19	0577303-00	ROLL PIN	1
10	0102829-00	COTTER PIN	20	0616675-00	LATCH KIT	1

* Use Parts Group Checked And State Quantity Required.

When Replacement Parts Are Needed, Order Only YALE[®] Factory Engineered Parts
BOTTOM BLOCK ASSEMBLY

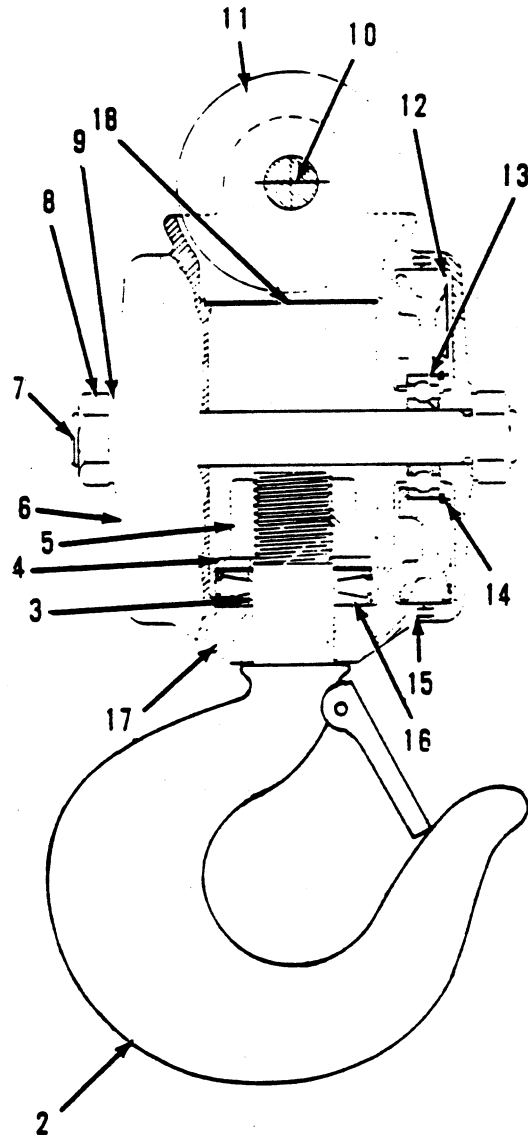
REVISED MARCH 1977



SECTION N
BOTTOM BLOCKS

**CE Series 3 PART DOUBLE
Bottom Block Assembly**

ASSEMBLIES 0101459-00
0101484-00



1

YA-0341
EE-311-011

When Replacement Parts Are Needed, Order Only YALE[®] Factory Engineered Parts

OCTOBER 1972

CE SERIES

SECTION N

BOTTOM BLOCKS



CE Series 3 PART DOUBLE Bottom Block Assembly

0101459-00 8 TON PARTS LISTING

ITEM NUMBER	PART NUMBER	DESCRIPTION	QTY
1	0101459-00	BOTTOM BLOCK ASSEMBLY (Includes Items 2 Through 20) BOTTOM BLOCK ASSEMBLY W/BULLARD HOOK (Includes Items 2 Through 19)	1
2	6479110-00	HOOK & LATCH ASSEMBLY BULLARD BURNHAM HOOK ASSEMBLY	1
3	0116320-00	SPACER	1
4	0114241-00	WASHER	1
5	6401699-03	SLOTTED NUT	1
6	5031930-00	COVER	1
7	0109823-00	SHAFT	2
8	0149720-00	NUT	1
9	0150376-00	LOCKWASHER	2
10	0109824-00	SHAFT	2
11	0109979-00	SHEAVE (TOP)	1
12	0109913-00	SHEAVE	1
13	0100822-00	BEARING	2
14	0110023-00	RETAINING RING	2
15	0116531-00	DOWEL PIN	2
16	0100916-00	HOOK BEARING	4
17	0101465-00	BLOCK CENTER	1
18	0116582-00	WASHER	2
19	0102836-00	COTTER PIN (Not Shown)	1
20	0616675-00	LATCH KIT (Includes Latch, Spring & Rivet)	2

0101484-00 10 TON PARTS LISTING

ITEM NUMBER	PART NUMBER	DESCRIPTION	QTY
1	0101484-00	BOTTOM BLOCK ASSEMBLY (Includes Items 2 Through 20) BOTTOM BLOCK ASSEMBLY W/BULLARD HOOK (Includes Items 2 Through 19)	1
2	6479110-00	HOOK & LATCH ASSEMBLY BULLARD BURNHAM HOOK ASSEMBLY	1
3	0116320-00	SPACER	1
4	0114241-00	WASHER	1
5	6401699-03	SLOTTED NUT	1
6	5031940-00	COVER	1
7	0109823-00	SHAFT	2
8	0149720-00	NUT	1
9	0150376-00	LOCKWASHER	2
10	0109824-00	SHAFT	2
11	0109979-00	SHEAVE (TOP)	1
12	0109913-00	SHEAVE	1
13	0100822-00	BEARING	2
14	0110023-00	RETAINING RING	2
15	0116531-00	DOWEL PIN	2
16	0100916-00	HOOK BEARING	4
17	0101465-00	BLOCK CENTER	1
18	0116582-00	WASHER	2
19	0102836-00	COTTER PIN (Not Shown)	1
20	0616675-00	LATCH KIT (Includes Latch, Spring & Rivet)	2

Use Parts Group Checked And State Quantity Required.

When Replacement Parts Are Needed, Order Only YALE[®] Factory Engineered Parts

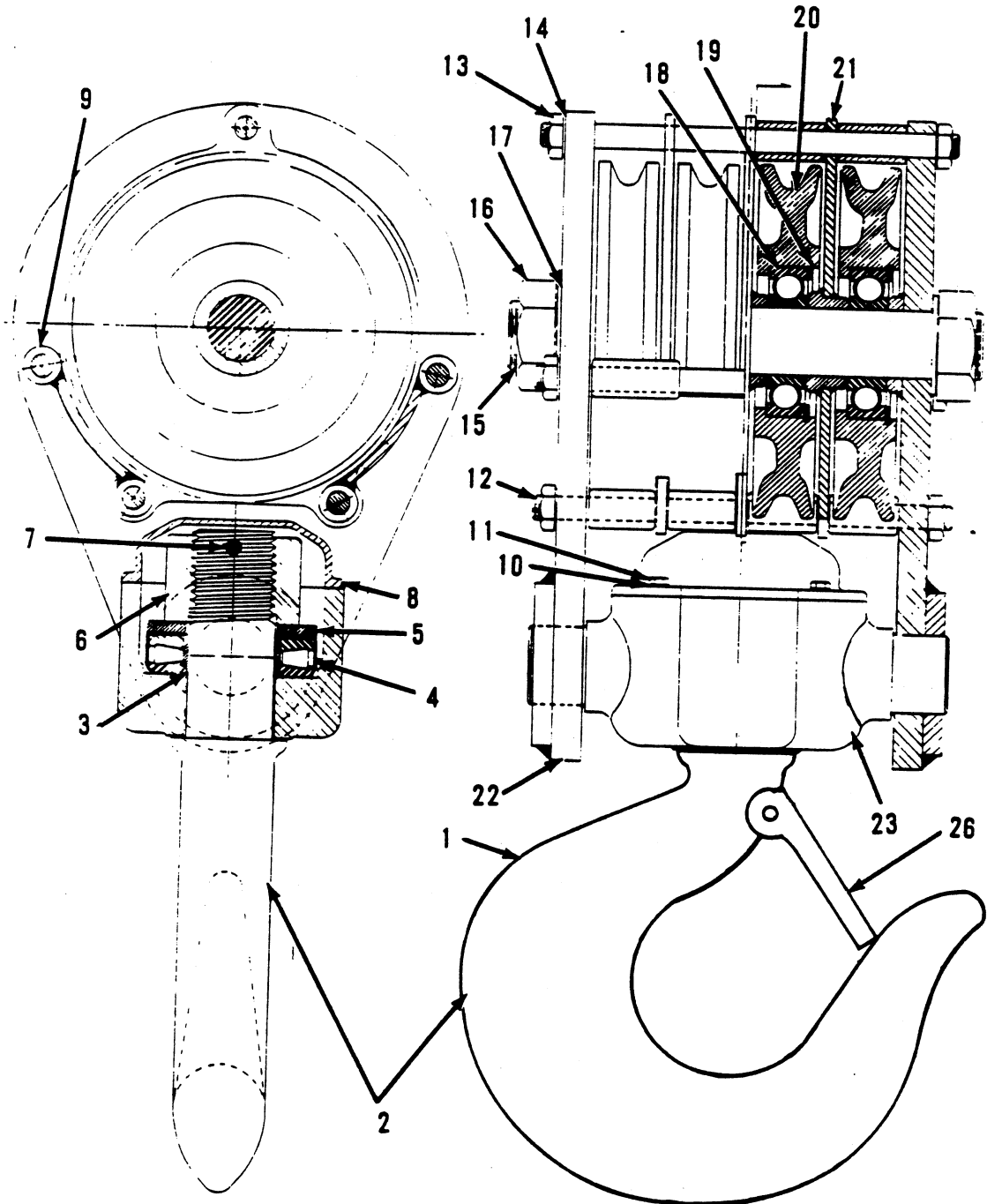
CE SERIES

OCTOBER 1972



SECTION N
BOTTOM BLOCKS

CE Series 4 PART DOUBLE
Bottom Block Assembly 15 TON CAPACITY



NOTE: When Ordering Repair Parts For Spark Resistant Bottom Blocks, Always Reference The Assembly Number Listed Below, Give Part Number And Quantity Required.

SPARK RESISTANT BOTTOM BLOCK ASSEMBLY _____

When Replacement Parts Are Needed, Order Only YALE® Factory Engineered Parts

YA-0342

165-911-315

OCTOBER 1972

CE SERIES

SECTION N

BOTTOM BLOCKS


CE Series 4 PART DOUBLE
Bottom Block Assembly 15 TON CAPACITY

ITEM NUMBER	PART NUMBER	DESCRIPTION	QTY
1	0101518-00	BOTTOM BLOCK ASSEMBLY	1
2	6479120-00	HOOK & LATCH ASSEMBLY	1
3	0116320-00	SPACER	1
4	0101916-00	HOOK BEARING	1
5	0114241-00	WASHER	1
6	6401699-03	SLOTTED NUT	1
7	0577303-00	ROLL PIN	1
8	6439226-00	COVER, HOOK	1
9	0101520-00	COVER	2
10	0114114-00	LOCKWASHER	4
11	0621512-00	SCREW	4
12	0101020-00	STUD	5
13	0149713-00	NUT	10
14	0150370-00	LOCKWASHER	10
15	0109852-00	BOTTOM BLOCK SHAFT	1
16	0106737-00	NUT	2
17	0150377-00	LOCKWASHER	2
18	0274205-00	BEARING	4
19	5019899-09	RETAINING RING	4
20	0109996-00	SHEAVE	4
21	0102319-00	SUPPORT PLATE	3
22	0101519-00	SIDE PLATE	2
23	0116571-00	CROSSHEAD	1
24	0121078-00	15 TON NAME PLATE	2
25	0209149-00	DRIVE SCREWS	12
26	0578140-00	LATCH KIT (Includes Latch, Spring & Rivet)	1

When Replacement Parts Are Needed, Order Only YALE[®] Factory Engineered Parts

CE SERIES

REVISED MARCH 1977

POWERED HOIST INSPECTION CHECK LIST

SEE PREVENTIVE MAINTENANCE SECTION OF INSTRUCTION MANUAL FOR DETAILS.

CHECK ONLY COMPONENTS APPLICABLE FOR SPECIFIC EQUIPMENT AND INSPECTION TYPE.

HOIST MODEL _____

HOIST S/N _____

HOOKS	YES	NO	CABLE	YES	NO	CHAINS	YES	NO
HARDWARE LOOSE	<input type="checkbox"/>	<input type="radio"/>	BROKEN WIRES AT ENDS	<input type="checkbox"/>	<input type="radio"/>	BINDING	<input type="checkbox"/>	<input type="radio"/>
CRACKS	<input type="checkbox"/>	<input type="radio"/>	BROKEN WIRES EXCESSIVE	<input type="checkbox"/>	<input type="radio"/>	CRACKED	<input type="checkbox"/>	<input type="radio"/>
EXCESSIVE WEAR	<input type="checkbox"/>	<input type="radio"/>	EXCESSIVE WEAR	<input type="checkbox"/>	<input type="radio"/>	TWISTED	<input type="checkbox"/>	<input type="radio"/>
BENT	<input type="checkbox"/>	<input type="radio"/>	KINKED OR DISTORTED	<input type="checkbox"/>	<input type="radio"/>	DISTORTED	<input type="checkbox"/>	<input type="radio"/>
SPREADING	<input type="checkbox"/>	<input type="radio"/>	CORROSION	<input type="checkbox"/>	<input type="radio"/>	CORRODED	<input type="checkbox"/>	<input type="radio"/>
FREELY ROTATE	<input type="radio"/>	<input type="checkbox"/>	HEAT DAMAGED	<input type="checkbox"/>	<input type="radio"/>	EXCESSIVE WEAR	<input type="checkbox"/>	<input type="radio"/>
LATCH DAMAGED	<input type="checkbox"/>	<input type="radio"/>				WORN CHAIN GUIDES	<input type="checkbox"/>	<input type="radio"/>
						POCKET WHEELS WORN	<input type="checkbox"/>	<input type="radio"/>
BRAKES			WIRING			DRUM & SHEAVES		
MOTOR BRAKE WORN OR NOT OPERATING	<input type="checkbox"/>	<input type="radio"/>	LOOSE CONNECTIONS	<input type="checkbox"/>	<input type="radio"/>	WORN EXCESSIVELY	<input type="checkbox"/>	<input type="radio"/>
EXCESSIVE LOADBRAKE DRIFT OR BLACKLASH	<input type="checkbox"/>	<input type="radio"/>	FRAYED	<input type="checkbox"/>	<input type="radio"/>	CRACKED OR SCORED	<input type="checkbox"/>	<input type="radio"/>
EXCESSIVE DISC WEAR	<input type="checkbox"/>	<input type="radio"/>	DAMAGED	<input type="checkbox"/>	<input type="radio"/>			
			PROPER GROUNDING	<input type="radio"/>	<input type="checkbox"/>			
LIMIT SWITCHES			LOAD LIMITING DEVICE			COLLECTORS		
OPERATING PROPERLY	<input type="radio"/>	<input type="checkbox"/>	OPERATING PROPERLY	<input type="radio"/>	<input type="checkbox"/>	BINDING	<input type="checkbox"/>	<input type="radio"/>
						EXCESSIVE WEAR	<input type="checkbox"/>	<input type="radio"/>
HOUSING			OPERATION CONTROLS			LUBRICATION		
DISTORTED	<input type="checkbox"/>	<input type="radio"/>	CONTACTOR PITTING	<input type="checkbox"/>	<input type="radio"/>	ALL POINTS LUBRICATED AS GIVEN IN LUB CHART	<input type="radio"/>	<input type="checkbox"/>
CRACKS	<input type="checkbox"/>	<input type="radio"/>	OPERATING PROPERLY	<input type="radio"/>	<input type="checkbox"/>	OIL DARK OR LOW	<input type="checkbox"/>	<input type="radio"/>
LOOSE HARDWARE	<input type="checkbox"/>	<input type="radio"/>	DAMAGED PUSH BUTTON	<input type="checkbox"/>	<input type="radio"/>	OIL LEAKS	<input type="checkbox"/>	<input type="radio"/>
BEARING NOISE	<input type="checkbox"/>	<input type="radio"/>	HOUSING	<input type="checkbox"/>	<input type="radio"/>			
SUPPORTING STRUCTURE			AIR SYSTEM			WARNING LABELS		
CONTINUED ABILITY TO SUPPORT IMPOSED LOADS	<input type="radio"/>	<input type="checkbox"/>	LEAKING	<input type="checkbox"/>	<input type="radio"/>	MISSING	<input type="checkbox"/>	<input type="radio"/>
WORN OR DISTORTED TROLLEY PARTS	<input type="checkbox"/>	<input type="radio"/>	LOOSE CONNECTIONS	<input type="checkbox"/>	<input type="radio"/>	ILLEGIBLE	<input type="checkbox"/>	<input type="radio"/>
			BROKEN CONTROL PENDANT	<input type="checkbox"/>	<input type="radio"/>			

NOTE: IF ANY (☐) IS CHECKED DO NOT OPERATE THE HOIST UNTIL REPAIRS HAVE BEEN MADE.

REMARKS AND REPAIRS MADE _____

SIGNATURE _____ DATE _____ CLOCK NUMBER _____

POWERED HOIST INSPECTION CHECK LIST

SEE PREVENTIVE MAINTENANCE SECTION OF INSTRUCTION MANUAL FOR DETAILS.

CHECK ONLY COMPONENTS APPLICABLE FOR SPECIFIC EQUIPMENT AND INSPECTION TYPE.

HOIST MODEL _____

HOIST S/N _____

HOOKS			CABLE			CHAINS		
YES	NO		YES	NO		YES	NO	
<input type="checkbox"/>	<input type="checkbox"/>	HARDWARE LOOSE	<input type="checkbox"/>	<input type="checkbox"/>	BROKEN WIRES AT ENDS	<input type="checkbox"/>	<input type="checkbox"/>	BINDING
<input type="checkbox"/>	<input type="checkbox"/>	CRACKS	<input type="checkbox"/>	<input type="checkbox"/>	BROKEN WIRES EXCESSIVE	<input type="checkbox"/>	<input type="checkbox"/>	CRACKED
<input type="checkbox"/>	<input type="checkbox"/>	EXCESSIVE WEAR	<input type="checkbox"/>	<input type="checkbox"/>	EXCESSIVE WEAR	<input type="checkbox"/>	<input type="checkbox"/>	TWISTED
<input type="checkbox"/>	<input type="checkbox"/>	BENT	<input type="checkbox"/>	<input type="checkbox"/>	KINKED OR DISTORTED	<input type="checkbox"/>	<input type="checkbox"/>	DISTORTED
<input type="checkbox"/>	<input type="checkbox"/>	SPREADING	<input type="checkbox"/>	<input type="checkbox"/>	CORROSION	<input type="checkbox"/>	<input type="checkbox"/>	CORRODED
<input type="checkbox"/>	<input type="checkbox"/>	FREELY ROTATE	<input type="checkbox"/>	<input type="checkbox"/>	HEAT DAMAGED	<input type="checkbox"/>	<input type="checkbox"/>	EXCESSIVE WEAR
<input type="checkbox"/>	<input type="checkbox"/>	LATCH DAMAGED						WORN CHAIN GUIDES
								POCKET WHEELS WORN
BRAKES			WIRING			DRUM & SHEAVES		
YES	NO		YES	NO		YES	NO	
<input type="checkbox"/>	<input type="checkbox"/>	MOTOR BRAKE WORN OR NOT OPERATING	<input type="checkbox"/>	<input type="checkbox"/>	LOOSE CONNECTIONS	<input type="checkbox"/>	<input type="checkbox"/>	WORN EXCESSIVELY
<input type="checkbox"/>	<input type="checkbox"/>	EXCESSIVE LOADBRAKE DRIFT OR BLACKLASH	<input type="checkbox"/>	<input type="checkbox"/>	FRAYED	<input type="checkbox"/>	<input type="checkbox"/>	CRACKED OR SCORED
<input type="checkbox"/>	<input type="checkbox"/>	EXCESSIVE DISC WEAR	<input type="checkbox"/>	<input type="checkbox"/>	DAMAGED	<input type="checkbox"/>	<input type="checkbox"/>	
			<input type="checkbox"/>	<input type="checkbox"/>	PROPER GROUNDING	<input type="checkbox"/>	<input type="checkbox"/>	
LIMIT SWITCHES			LOAD LIMITING DEVICE			COLLECTORS		
YES	NO		YES	NO		YES	NO	
<input type="checkbox"/>	<input type="checkbox"/>	OPERATING PROPERLY	<input type="checkbox"/>	<input type="checkbox"/>	OPERATING PROPERLY	<input type="checkbox"/>	<input type="checkbox"/>	BINDING
								EXCESSIVE WEAR
HOUSING			OPERATION CONTROLS			LUBRICATION		
YES	NO		YES	NO		YES	NO	
<input type="checkbox"/>	<input type="checkbox"/>	DISTORTED	<input type="checkbox"/>	<input type="checkbox"/>	CONTACTOR PITTING	<input type="checkbox"/>	<input type="checkbox"/>	ALL POINTS LUBRICATED AS GIVEN IN LUB CHART
<input type="checkbox"/>	<input type="checkbox"/>	CRACKS	<input type="checkbox"/>	<input type="checkbox"/>	OPERATING PROPERLY	<input type="checkbox"/>	<input type="checkbox"/>	OIL DARK OR LOW
<input type="checkbox"/>	<input type="checkbox"/>	LOOSE HARDWARE	<input type="checkbox"/>	<input type="checkbox"/>	DAMAGED PUSH BUTTON	<input type="checkbox"/>	<input type="checkbox"/>	OIL LEAKS
<input type="checkbox"/>	<input type="checkbox"/>	BEARING NOISE	<input type="checkbox"/>	<input type="checkbox"/>	HOUSING	<input type="checkbox"/>	<input type="checkbox"/>	
SUPPORTING STRUCTURE			AIR SYSTEM			WARNING LABELS		
YES	NO		YES	NO		YES	NO	
<input type="checkbox"/>	<input type="checkbox"/>	CONTINUED ABILITY TO SUPPORT IMPOSED LOADS	<input type="checkbox"/>	<input type="checkbox"/>	LEAKING	<input type="checkbox"/>	<input type="checkbox"/>	MISSING
<input type="checkbox"/>	<input type="checkbox"/>	WORN OR DISTORTED TROLLEY PARTS	<input type="checkbox"/>	<input type="checkbox"/>	LOOSE CONNECTIONS	<input type="checkbox"/>	<input type="checkbox"/>	ILLEGIBLE
			<input type="checkbox"/>	<input type="checkbox"/>	BROKEN CONTROL PENDANT	<input type="checkbox"/>	<input type="checkbox"/>	

NOTE: IF ANY () IS CHECKED DO NOT OPERATE THE HOIST UNTIL REPAIRS HAVE BEEN MADE.

REMARKS AND REPAIRS MADE _____

SIGNATURE _____ DATE _____ CLOCK NUMBER _____

Yale[®]

HOISTS

WARRANTY

Every hoist is thoroughly inspected and tested prior to shipment from the factory. Should any problems develop, return the complete hoist prepaid to your nearest Yale Hoists Authorized Warranty Repair Station.

This warranty does not apply where: (1) deterioration is caused by normal wear, abuse, improper or inadequate power supply, eccentric or side loading, overloading, chemical or abrasive actions, improper maintenance or excessive heat; (2) problems resulted from repairs, modifications or

alterations made by persons other than factory or Yale Hoists personnel; (3) the hoist has been abused or damaged as a result of an accident; (4) repair parts or accessories other than those supplied by Yale Hoists are used on the hoist. Equipment and accessories not of the seller's manufacture are warranted only to the extent that they are warranted by the manufacturer. EXCEPT AS STATED HEREIN, YALE HOISTS MAKES NO OTHER WARRANTIES, EXPRESS OR IMPLIED, INCLUDING WARRANTIES OF MERCHANTABILITY AND FITNESS FOR A PARTICULAR PURPOSE.

Improvements:

Yale Hoists is constantly striving to improve its product. Changes in design and improvements will be made whenever manufacturer believes the efficiency of the product will be improved without incurring any obligation to incorporate such improvements in any products which have been shipped or are in service.

Important Notice:

Use of chain, wire rope or replacement parts other than as supplied as original equipment on Yale hoists may lead to dangerous operation. Accordingly, Yale Hoists cannot be responsible in such cases and our warranty will be voided.

For more information, write Yale Hoists, Forrest City, Arkansas 72335.

Yale[®] HOISTS
3105 N. Washington
P. O. Box 1000
Forrest City, Arkansas 72335
Customer Service (800) 999-6318
FAX (800) 766-0223