

**PC and PD SERIES
Ratchet Lever Hoists**

**Parts and Instruction
Manual**

Yale®

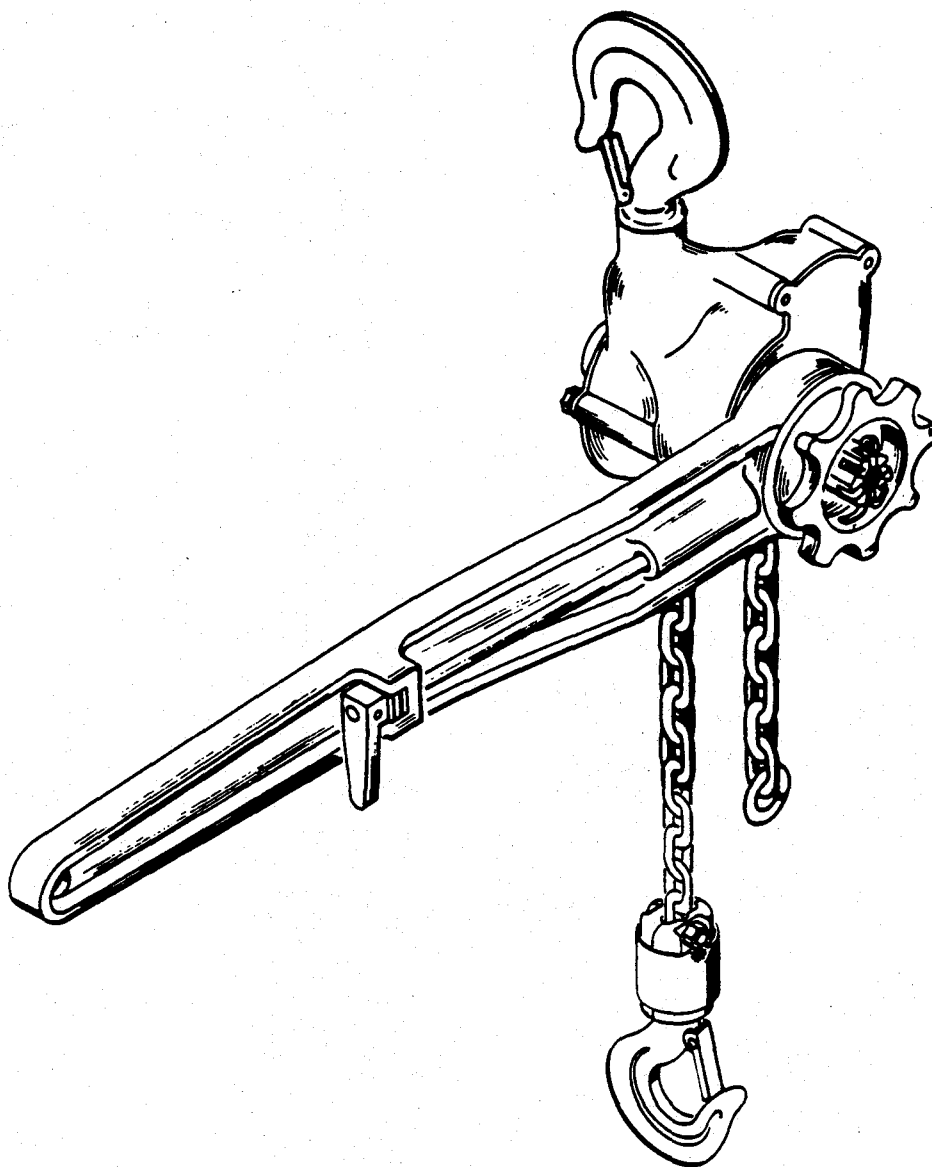


TABLE OF CONTENTS

INFORMATION FOR ORDERING PARTS.....	Inside Front Cover
SAFE HOISTING PRACTICES.....	2
GENERAL INFORMATION.....	5
Warranty Policy.....	5
Inspection.....	5
Operating Instructions.....	5
Chain Reeving.....	6
PREVENTIVE MAINTENANCE.....	7
Daily Inspection.....	7.0
Annual Inspection.....	7.0
Function Testing.....	7.1
Repair Parts Ordering Information.....	7.1
Recommended Spare Parts for one Year.....	7.1
Chain Attachment.....	7.2
Chain Dimensions and Replacement.....	7.2
Lubrication of Hoist.....	7.3
Repair or Replace Bottom Hook or Chain.....	7.3
Hook Opening Dimension.....	7.4
Load Brake Assembly.....	7.4
Driving Pinion Assembly.....	8
REPAIR PARTS SECTION	
3/4 Ton Roller Chain.....	10
1½ Ton Roller Chain.....	12
3 Ton Roller Chain.....	14
1½-3 Ton Convertible Roller Chain.....	14
4½ Ton Roller Chain.....	16
3-4½ Ton Convertible Roller Chain.....	16
6 Ton Roller Chain.....	18
15 Ton Roller Chain.....	20
3/4 Ton Link Chain.....	22
1½ Ton Link Chain.....	24
3 Ton Link Chain.....	26
1½-3 Ton Convertible Link Chain.....	26
INSPECTION RECORD.....	Final Pages
WARRANTY.....	Back Cover

When Replacement Parts Are Needed, Order Only Yale Factory Engineered Parts

SAFE HOISTING PRACTICES

Yale Ratchet Lever Hoist

For your own safety and that of your fellow workers. Material Handling Equipment must be used and maintained as recommended by the Manufacturer. Failure to heed to following recommendations could endanger your life. Use good common sense and judgment at all times. Safety is the responsibility of the operator of the equipment. You must be competent and attempt to foresee and avoid all hazardous conditions. To be safe as possible, the hoist must be given proper preventative maintenance and testing as described in the Manual.

BEFORE OPERATING HOIST:

1. Do not operate hoist unless you are properly trained, physically fit, and authorized to do so. You must be familiar with all operating controls of the hoist, warnings, and instructions on the hoist, the safe hoisting practices listed in this Manual and all pertinent Federal, State, and local regulations before beginning operation.
2. Do not allow unqualified personnel to operate the hoist.
3. Be familiar with the equipment and its proper care. Do not operate hoist if adjustments or repairs are necessary, if any damage or undue wear is known or suspected, or if any warning, operating, or capacity instructions normally attached to hoist are damaged, obscured or missing. Report same promptly to the proper person and also notify next operator when changing shifts.
4. Conduct periodic visual inspections as described in Preventative Maintenance Section of this Manual and make sure necessary lubrication and repairs are made.
5. Do not operate hoist if it is functioning improperly.
6. Do not operate hoist with an out-of-order sign attached until sign has been removed by a properly authorized person.
7. Do not adjust or repair hoist unless qualified for maintenance of hoist.
8. Do not use chain as ground for welding.
9. Do not touch a welding electrode to the chain.
10. Never attempt to motorize ratchet lever hoist. Never use a handle extension or allow anyone to held move handle.

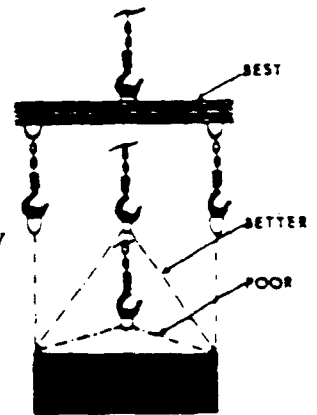
When Replacement Parts Are Needed, Order Only Yale Factory Engineered Parts

SAFE HOISTING PRACTICES (continued)

Yale Ratchet Lever Hoist

APPLYING THE LOAD:

1. Never wrap the hoist chain around the load, or allow it to drag under load.
2. Use slings or other approved devices to attach load as necessary.
3. Be sure the sling is properly seated in the saddle of the hook. Do not allow hook latch to support any part of load.
4. Do not apply a load to tip of hook, or in such a way as to cause bending or prying forces on the hook or hook support block.
5. Be sure chains are not kinked or twisted or that multiple part chains are not twisted about each other.
6. Do not operate hoist if chain is not seated properly in the sheaves or sprockets.



Consider These Angles When Lifting Load



SEAT LOAD CORRECTLY IN HOOK



DO NOT FORCE HOOK



DO NOT KINK OR TWIST CHAIN

7. Center hoist unit over the load before loading. Avoid side pull. Load block, chain, and hoist body must be in a straight line.
8. Never Apply a load beyond the rated capacity appearing on the hoist, except for properly authorized tests.



DO NOT OVERLOAD

When Replacement Parts Are Needed, Order Only Yale Factory Engineered Parts.

SAFE HOISTING PRACTICES (continued)

Yale Ratchet Lever Hoist

MOVING THE LOAD:

1. Do not engage in any activity which will divert your attention while operating hoist.
2. Respond to signals from designated personnel only, except for stop signals.
3. Never move a load with the hoist until you and all other personnel are clear of load.
4. Make sure a load has proper clearance before moving.
5. Do not move load more than a few inches until it is well balanced in the sling or lifting device.
6. Each time a load approaching rated capacity is handled, check load brake action by moving load just clear of supports and continuing only after you are sure brake is operating properly.
7. Do not attempt free - chain operation with load on the hook.
8. Do not transport load over personnel.
9. Never carry personnel on the hook or the load.

PARKING:

1. Do not leave a load suspended in the air for extended or unattended periods.
2. Keep load block above head level when not in use.

SAFETY LAWS FOR PASSENGER ELEVATORS:

The safety laws for passenger elevators specify construction details that are not necessarily incorporated in Yale Industrial Hoists. We recommend that passenger elevator operation equipment be used that meets all state and national safety codes. Eaton Corporation will not accept responsibility for applications of Yale Hoists on passenger elevators.

INSPECTION, PREVENTIVE MAINTENANCE AND TESTING

A preventive maintenance program should be initiated for this hoist immediately after it is entered into service. The preventive maintenance program should comply with recommendations in the Service Guide, the applicable Yale Parts and Instruction Manual, and all pertinent Federal, State, and local regulations. Regular inspections, maintenance, and testing required should be followed for the life of the hoist and written inspection records kept as specified. Sample inspection check lists are included at back of this manual. Extra inspection check lists can be obtained from your nearest authorized Yale Distributor.

When Replacement Parts Are Needed, Order Only Yale® Factory Engineered Parts

GENERAL INFORMATION

Ratchet Lever Hoist

Warranty Policy

The warranty policy is located on the back cover and is self-explanatory

Inspection

Before shipment Ratchet Lever Hoists are rigidly tested, inspected and carefully for proper operation. However, it would be wise to inspect for possible damage resulting during shipment **and oil the chain.**

Your YALE RATCHET LEVER HOIST is now ready for service. With the proper maintenance and care you should receive many years of service.

Operating Instructions

PC and PD Series

1. To Lift A Load

Place selector lever in "UP" position. Operate handle with a pumping action. Raising the lower hook to a point where it jams against housing or excessive overloading of unit may freeze the load brake. If this occurs, the brake can be released by placing selector lever in "DOWN" position, tapping handle with a hammer, and lowering with the handle.

2. To Lower A Load

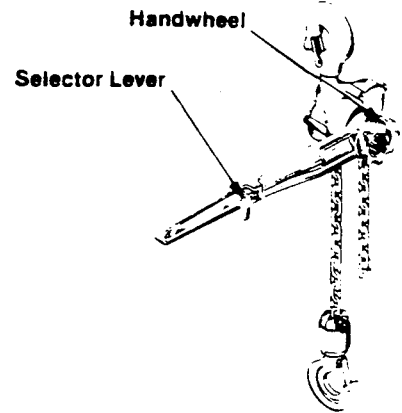
Place selector lever in "DOWN" position. Operate handle with a pumping action.

3. Proper Pump Action

The pumping action in hoisting and lowering should be with the effort applied on the downward movement of the handle, with the upward movement free. Handle can be rotated to opposite side of hoist if necessary.

4. Free Chain Operation

Place selector lever in the neutral position and turn the handwheel to raise or lower the hook to desired position, or if free motion of the chain is desired, hold the two lines of chain tight with one hand, turn the handwheel to free the load brake, then pull the chain in the direction desired.



PE and PF Series

1. To Lift A Load

Place selector lever in "UP" position. Operate handle with a pumping action. Raising the lower hook to a point where it jams against housing or excessive overloading of unit may freeze the load brake. If this occurs, the brake can be released by placing selector lever in "DOWN" position, tapping handle with a hammer, and lowering with the handle.

2. To Lower A Load

Place selector lever in "DOWN" position. Operate handle with a pumping action.

3. Proper Pump Action

The pumping action in hoisting and lowering should be with the effort applied on the downward movement of the handle, with the upward movement free. Handle can be rotated to opposite side of hoist if necessary.

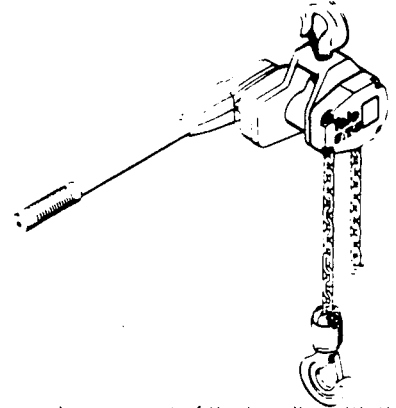
4. Free Chain Operation

Place selector lever in neutral "N" position. Push down on "free chain" lever to disengage load brake pawl. This will allow the chain to be moved quickly and easily in either direction to engage a load.

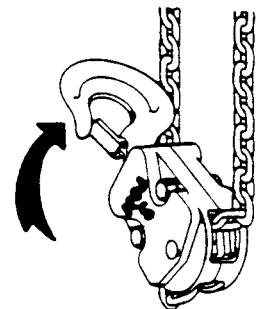
⚠ Caution: Before tripping "free chain" lever, place handle selector in neutral "N" position to avoid possible injury from handle movement.

The free chain lever has pawl emergency marked on opposite side of lever. This pawl emergency is to be used only in case of emergency (broken pawl spring) when lowering a load

Note: On chain units that have a bottom sheave (3 ton through 6 ton), care must be taken to avoid flipping the bottom block. This will twist the chain creating damage and possible failure of hoist.



CORRECT



INCORRECT

When Replacement Parts Are Needed, Order Only Yale® Factory Engineered Parts

PREVENTIVE MAINTENANCE

Inspection is Important

The replacing of parts when worn, at small expense, will make your chain hoist last longer, maintain its efficiency and help prevent accidents due to breakage.

The following recommended inspection periods are based on an average duty, single shift operation of forty (40) hours per week under normal environmental conditions. If the hoist is used in heavier applications or in adverse environmental conditions, the inspections should be made more frequently.

Daily Inspection

Inspect the following items before using the hoist.

- (a) **Braking Mechanism:** Check for slipping brake. Raise a light load a short distance. Stop. If load drifts down load brake should be repaired before further use of the hoist.
- (b) **Load Chain:** Check for worn, broken or cracked links. Check for grit, dirt or other foreign matter which may be carried into the hoist mechanism. Check for proper lubrication. Check chain for twists or kinks. If cracks or excessive wear or stretch is observed, see instructions under annual inspection below.
- (c) **Hooks:** Check for cracks, chemical damage, or deformation. The bottom hook must swivel freely. If cracks, excessive damage, or excessive deformation is observed, see instructions under annual inspection below.

Note: Bent or twisted hooks indicate overloading or abuse of the unit. Other load bearing components of the hoist should be inspected for damage.

⚠ CAUTION: Do not operate the hoist if it is functioning improperly or if damage is noted.

Annual Inspection

Inspect the following items at least once every year, or more if need is indicated by daily inspections.

- (a) All items under Daily Inspection.
- (b) **Load Chain and Load Sheaves or Sprockets:** Check for excessive wear or corrosion of chain, driving load sheave and bottom block load sheave or sprockets. Check for chain stretch. If roller chain is used, check for exceptionally loose joints, exceptionally tight joints, worn or broken rollers and bent, cracked or deformed side plates. Carefully inspect link chain for wear between the links in section of chain that most often passes over the load sheave or sprockets. Check several links, as wear is seldom ever from one link to another.

The chain should be replaced if wear or stretch has increased the specified gauge length beyond the maximum shown in table on page 7.2.

- (c) **Hooks:** Dye penetrant, magnetic particle or other suitable crack detecting inspection should be performed if need is indicated by external appearance. Replace hook per instructions in hoist manual if throat opening is in excess of maximum shown in table on page 7.4, or if there is 10 degrees or more twist from normal plane of hook.

When Replacement Parts Are Needed, Order Only Yale® Factory Engineered Parts

PREVENTIVE MAINTENANCE (continued)

Annual Inspection

- (d) **Hardware:** Check hook retaining nut, collars or pins for wear. Check for loose bolts, nuts or rivets. Check for missing or damaged hook latch.
- (e) **Braking Mechanism:** Check for worn, glazed or oil contaminated friction discs, and worn, broken or cracked pawls or ratchet teeth. Corroded, deformed or broken pawl springs.
- (f) **Load Bearing Parts:** Check for worn, cracked or distorted parts such as hook blocks, suspension housing, chain attachments, clevises, yokes, suspension bolts, gears, shafts, and bearings.
- (g) **Warning Labels:** Check for missing or illegible warning decals and tags and replace as necessary.
- (h) **Check List:** Fill out an inspection check list at back of this manual, sign date and file for future reference.

Note: Inspection Records: The last pages of this manual are inspection check lists to be filled out and signed by the person making the annual inspection. Extra copies can be ordered or duplicated as required.

Function Testing After Hoist Repair

After repair of hoist, test with a light load for proper function. If load sustaining parts have been altered, load test unit with 125% of the rated capacity by lifting and lowering through a short distance. Also test operation of any other brakes, limit devices, and locking or safety devices, etc. involved in the repair. (If no load sustaining parts were repaired or altered, a normal load lifted may be used for test). A written report of the test should be prepared by the person responsible and kept on file for future reference.

 **Caution:** Prior to testing, all supporting structures, anchorages, and/or suspensions must be approved by the appointed person for the test loads used.

Repair Parts Ordering Information

To insure prompt service, place all parts orders with your local distributor.

- (a) Give complete data from hoist Manual.
- (b) Give part number, description and quantity required.
- (c) Give the correct shipping destination.

Recommended Spare Parts

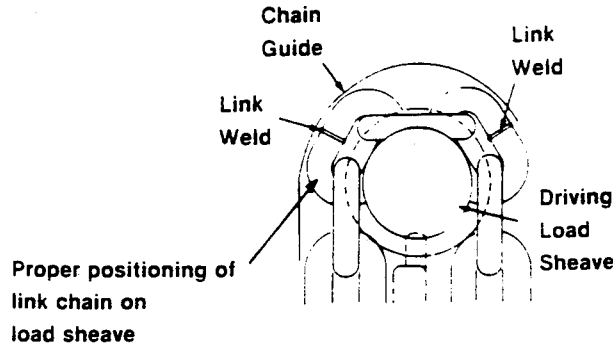
PC and PD Series	Description	Part Number	Quantity
Ratchet Lever Hoist	Brake Pawl Spring	0167773-00	1
	Brake Disc	6476544-00	2

Note: Above parts can also be ordered as Spare Parts Kit No. 6423072-00

When Replacement Parts Are Needed, Order Only Yale Factory Engineered Parts

PREVENTIVE MAINTENANCE (continued)

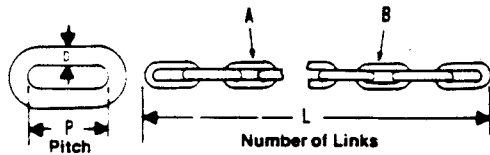
Chain Attachment



⚠ Caution: Weld on standing link must face away from driving load sheave.

Load Chain Dimensions And Replacement

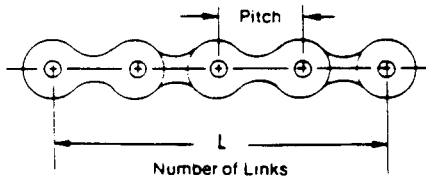
Note: Gauge lengths should be checked on portion of chain that normally passes over the load sheave. The gauge length should be checked with a light load on hook. All dimensions are in inches.



⚠ Warning: When replacing link chain use only Yale replacement chain.

Link Chain

Standard Chain	Cadmium Plated Chain No.	Chain Marking		Links Between Markings A & B	D Diameter	P Pitch	"L" Gauge Length Nominal	Number Of Links In Gauge	* Replace If "L" Exceeds
		A	B						
0033640-00	0033641-00	Y★ or Y1	1D	11	1/4	.75	14.77	19	15.00
0033645-00	0033646-00	Y★ or Y1	2K	9	5/16	.91	17.83	19	18.12



⚠ Warning: When replacing roller chain, use only Yale special heavy replacement chain. The use of standard roller chain will result in an unsafe hoist.

Roller Chain

Pitch	Number Of Pitches In "L"	Length "L"	* Replace If "L" Exceeds
5/8	20	12 1/2	12 3/4
1	12	12	12 1/4

Note: When adding or replacing roller Chain be sure splicing link, pin and washer are riveted together securely and will operate freely.

⚠ Warning: *Replace load chain, if "L" exceeds maximum shown.

When Replacement Parts Are Needed, Order Only Yale® Factory Engineered Parts

PREVENTIVE MAINTENANCE (continued)

Lubrication Of Hoist

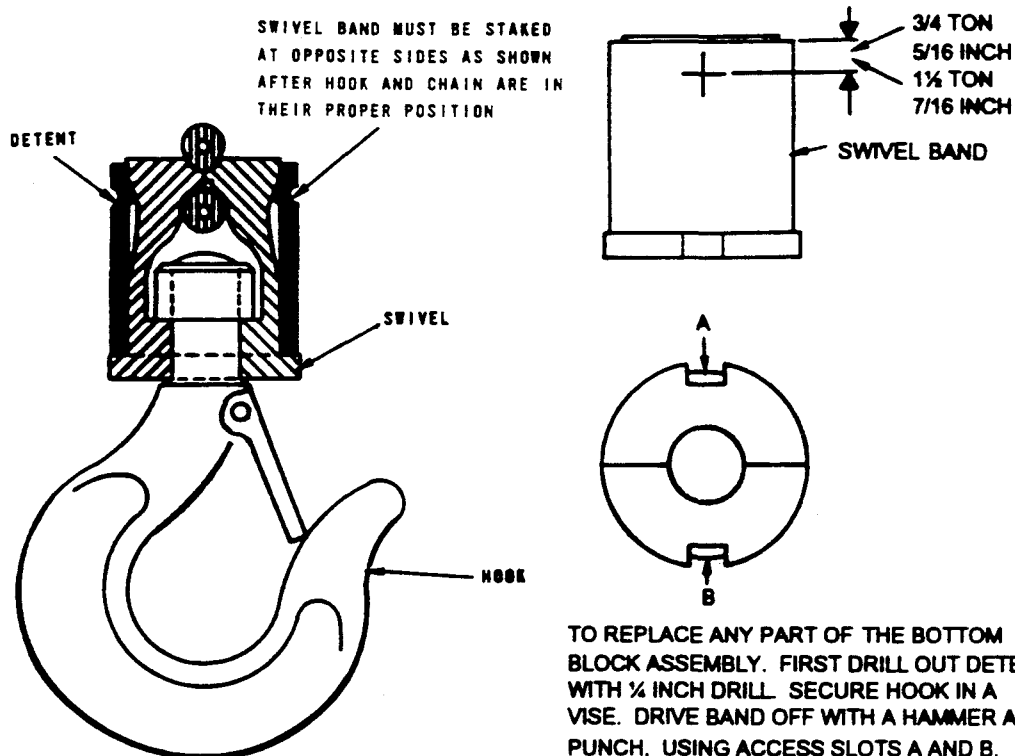
Lubricant	Lubrication Point	Lubrication Instructions	Hoist
Gears, bearings, threads on ratchet and pinion, and under hook retaining nuts	Houghton Sta-Put No. 580 Gulf Crown No. 2, (or equals)	Apply a light film of grease when unit is disassembled	PC PD
Ball valve oil holes in the housing	Light Machine Oil	Apply three or four drops of oil periodically depending on usage	PC PD
Gears, axles, pivot points and under hook retaining nuts	Gulf Crown No. 2 Shell Alvania Grease EP 2 (or equals)	Lubricate these items when Unit is disassembled	PE PF
Link Chain	Lubricate before initial operation and at intervals of 200 operating hours. Use Yale Part No. 5152618-01 Type SS2 (in spray cans) or Yale Part No. 6480531-00 Graphited Penetrating Oil Chain and Cable (in plastic tubes.)	Apply oil to chain making sure areas between links are completely covered over entire length of chain. Wipe any excess oil off outside surface of chain, leaving oil between links where lubrication is necessary. ⚠ Warning: If hoist is Operated during chain lubrication, make sure hands and clothing are kept clear of chain.	ALL
Roller Chain	ESSO Coray 50 Atlantic Non-Partiel (or equals)	Same as link chain	ALL

⚠ Caution: Do not oil load brake hub, brake discs, ratchet disc or reaction disc. LOAD BRAKE OPERATES DRY.

Hook Replacement Top Hook

If top hook is replaced, thoroughly tighten hook nut and rivet or weld over threads, after installation in housing.

Bottom Hook Roller Chain Units



Link Chain Units

Insert chain into hook assembly. Insert pin install snap ring.

PREVENTIVE MAINTENANCE (continued)

Normal And Maximum Hook Openings

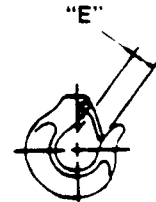
All Dimensions In Inches

Capacity In Tons	E Top Hook		E Bottom Hook	
	Normal	Maximum	Normal	Maximum
3/4 PC	1 1/32	1 7/32	1 1/32	1 7/32
1 1/2 PC	1 5/32	1 27/64	1 5/32	1 27/64
1 1/2, 3 PC	1 11/32	1 19/32	1 5/16	1 37/64
3 PC	1 11/32	1 19/32	1 5/16	1 37/64
4 1/2 PC	1 17/32	1 13/16	1 17/32	1 13/16
6 PC	1 31/32	2 11/32	1 31/32	2 11/32
15 PC	2 23/32	3 13/64	2 23/32	3 13/64
3/4 PD	1 1/32	1 7/32	1 1/32	1 7/32
1 1/2 PD	1 5/32	1 27/64	1 5/32	1 27/64
1 1/2, 3 PD	1 11/32	1 39/64	1 5/16	1 37/64
3 PD	1 11/32	1 39/64	1 5/16	1 37/64

Capacity In Tons	E Top Hook		E Bottom Hook	
	Normal	Maximum	Normal	Maximum
3/4 PE	1 5/32	1 13/32	1 1/32	1 7/32
1 1/2 PE	1 5/32	1 13/32	1 5/32	1 13/32
3/4, 1 1/2 PE	1 5/32	1 13/32	1 5/32	1 13/32
3 PE	1 11/32	1 19/32	1 5/16	1 19/32
4 1/2 PE	1 11/32	1 19/32	1 17/32	1 13/16
6 PE	1 21/32	1 31/32	2 1/8	2 15/32
3/4 PF	1 5/32	1 13/32	1 1/32	1 7/32
1 1/2 PF	1 5/32	1 13/32	1 5/32	1 13/32
3/4, 1 1/2 PF	1 5/32	1 13/32	1 5/32	1 13/32
3 PF	1 11/32	1 19/32	1 5/16	1 19/32
4 1/2 PF	1 11/32	1 19/32	1 17/32	1 13/16
6 PF	1 21/32	1 31/32	2 1/8	2 15/32

Hook Inspection

Opening With
Hook Latch



⚠ Warning: Replace hook if "E" dimension exceeds maximum shown in chart.

Load Brake

Assembly: When assembling the load brake the ratchet disc must be installed with the ratchet teeth pointing counter clockwise when looking into the unit.

Adjustment: After unit is assembled, block the load sheave so it can not turn. Rotate handwheel until seated. Tighten slotted nut snug and back off to nearest hole. Insert cotter pin.

Lubrication On Reassembly

Grease pinion threads and gear teeth with a light coat of grease.



Caution LOAD BRAKE OPERATES DRY. DO NOT OIL

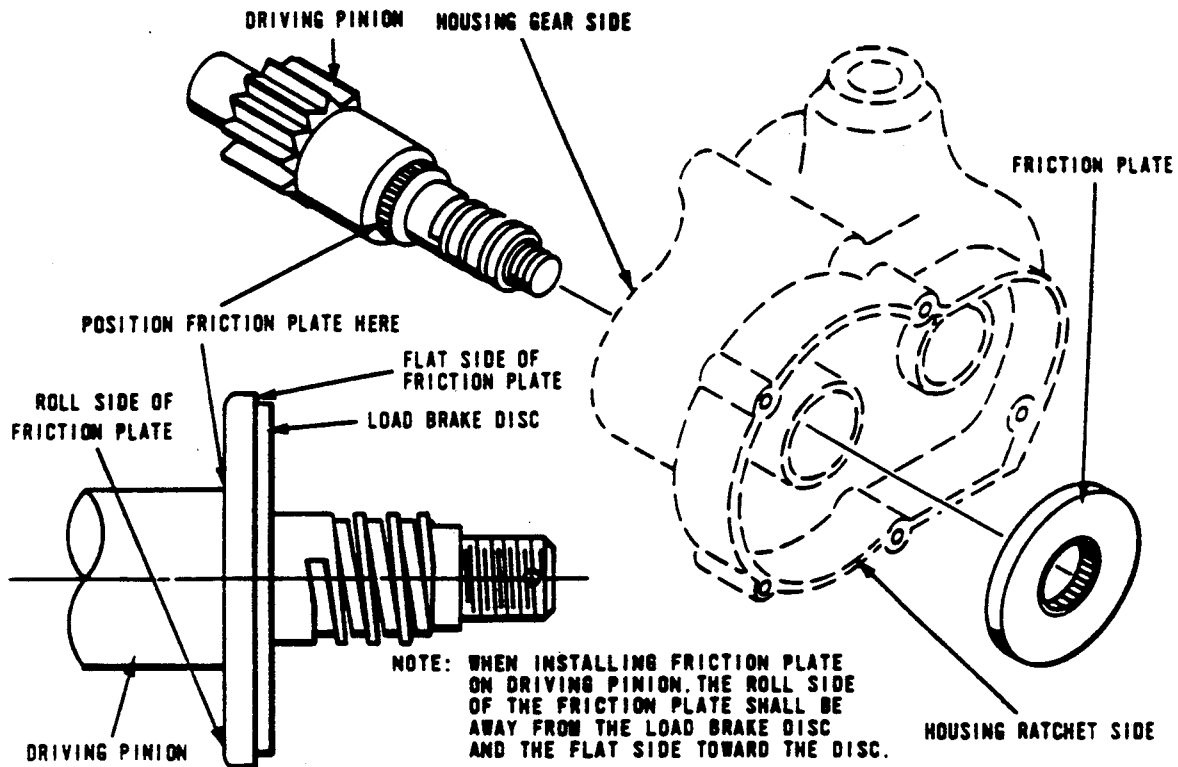
Note: Shock loading or jamming the lower hook in the housing or removing a load without operating the handle may 'freeze' the load brake. If this occurs, the brake can be released by setting the pawl rod lever to the 'DOWN' position striking the handle with a rubber or plastic mallet and lowering the handle.

When Replacement Parts Are Needed, Order Only Yale® Factory Engineered Parts

PREVENTIVE MAINTENANCE (continued)

Driving Pinion

PROPER METHOD OF ASSEMBLING DRIVING PINION TO FRICTION PLATE.



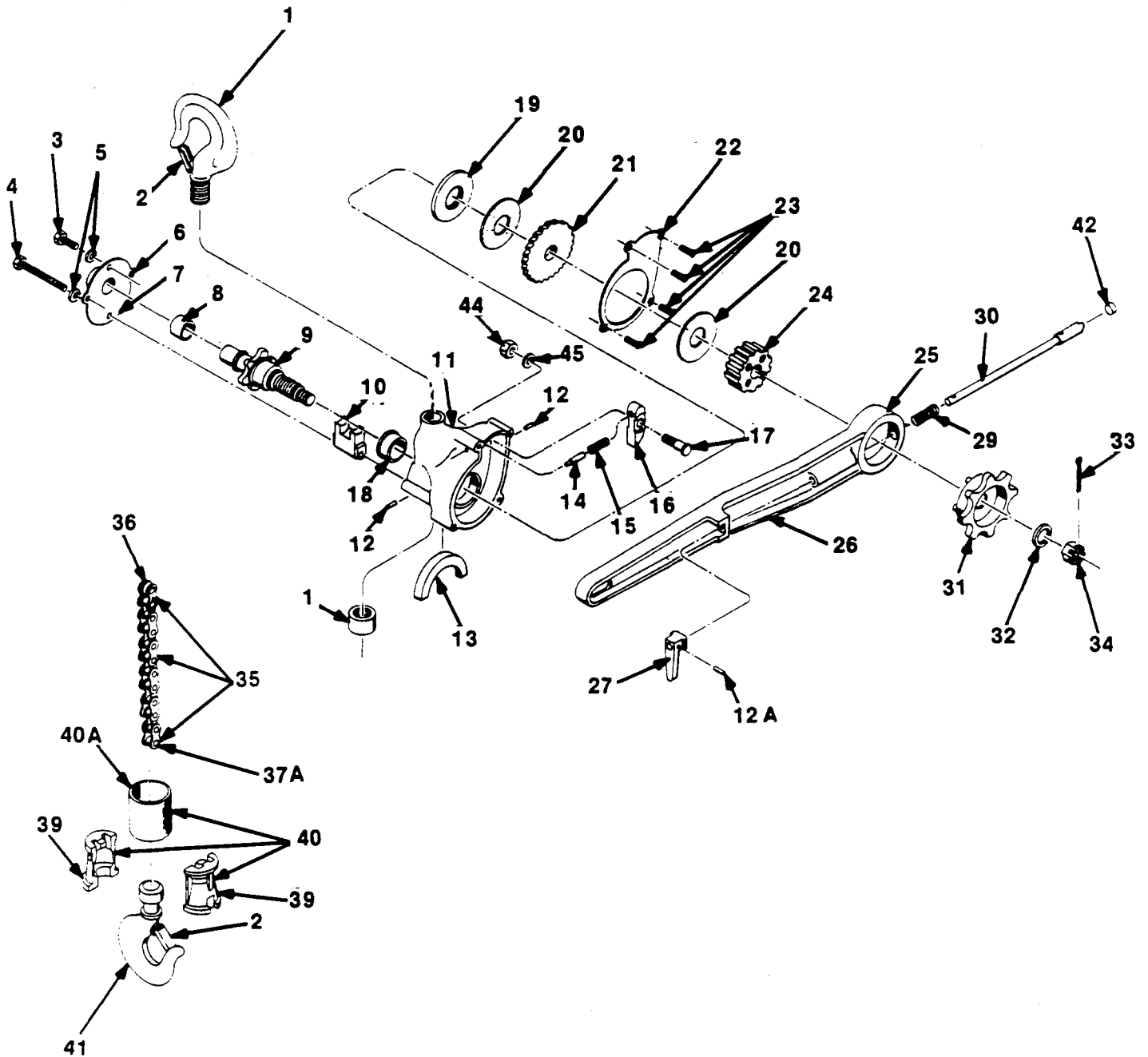
Recommended Spare Parts For One Year

PC and PD Series	Description	Part Number	Quantity
Ratchet Lever Hoist	Brake Pawl Spring	0167773-00	1
	Brake Disc	6476544-00	2

Note: Above parts can also be ordered as Spare Parts Kit No. 6423072-00

When Replacement Parts Are Needed, Order Only Yale Factory Engineered Parts
JANUARY, 1993

PC Series Ratchet Lever Hoist 3/4 Ton Roller Chain

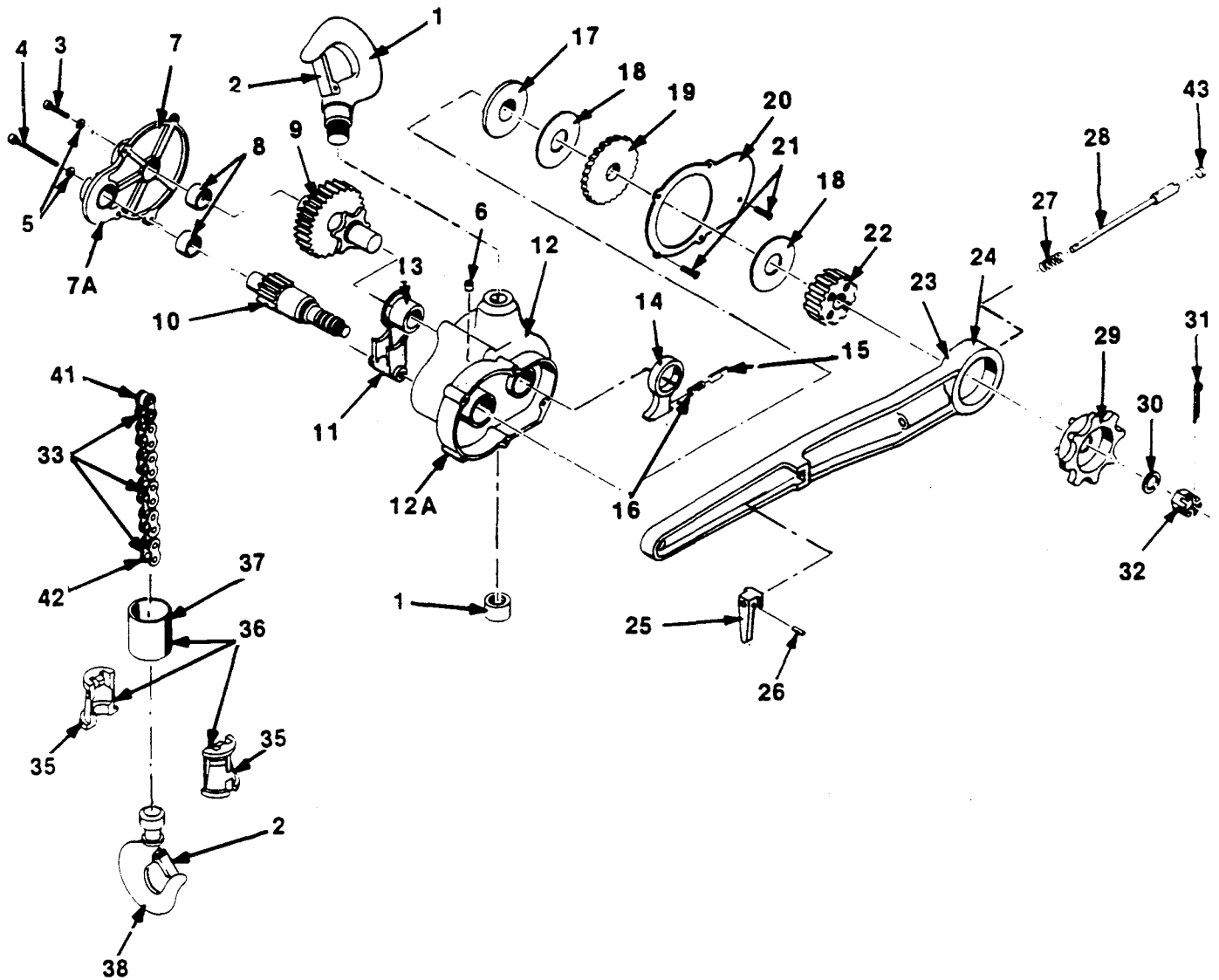


When Replacement Parts Are Needed, Order Only Yale® Factory Engineered Parts

ITEM	PART NO.	DESCRIPTION	QTY.
1	0563776-00	TOP HOOK, NUT & LATCH KIT (INC. ITEMS 2)	1
2	0669400-00	SAFETY LATCH KIT	2
3	6401209-05	SELF TAPPING SCREW	3
4	6412691-00	SELF TAPPING SCREW	1
5	0150260-00	LOCKWASHER 1/4 INCH	4
6	6475710-00	HOUSING CAP COVER ASSM. (INCL. ITEMS 7 & 8)	1
7	6426174-00	HOUSING CAP COVER	1
8	6411741-00	OILITE BEARING	1
9	6425113-00	SPROCKET	1
10	6420453-00	STRIPPER	1
11	6475720-00	HOUSING ASSM. (INCL. ITEMS 11A, 14 & 18)	1
12	5004099-01	ROLL PIN	3
13	6426893-00	CHAIN GUIDE	1
14	0167790-00	BRAKE PAWL SPRING ROD	1
15	0167773-00	BRAKE PAWL SPRING	1
16	0175947-00	LOAD BRAKE PAWL	1
17	6444603-00	PAWL STUD	1
18	6445843-00	OILITE BEARING	1
19	6414201-00	FRICTION PLATE	1
20	6476544-00	BRAKE DISC	2
21	0167743-00	RATCHET DISC	1
22	0176032-00	LOAD BRAKE COVER	1
23	6461588-00	SELF TAPPING SCREW	4
24	0167736-00	RATCHET	1
25	0167705-00	RATCHET LEVER ASSM. (INCL. ITEMS 12, 26, 27, 29, 30, 42, 46 & 47)	1
26	0167704-00	RATCHET LEVER	1
27	0167826-00	PAWL ROD LEVER	1
29	0167826-00	LEVER PAWL SPRING	1
30	0167809-00	RATCHET LEVER PAWL AND ROD ASSM.	1
31	0167714-00	HANDWHEEL	1
32	0143734-00	FLAT WASHER	1
33	0381404-00	COTTER PIN	1
34	0149779-00	SLOTTED NUT	1
35	0176043-00	ROLLER CHAIN 5 FOOT LIFT (INCL. ITEMS 36 & 37A)	1
	0032858-00	BULK ROLLER CHAIN (SPECIFY LINEAL FEET)	-
36	6420050-00	ROLLER STOP & LINK KIT	1
37A	6407380-00	PIN & WASHER ASSEMBLY	1
38	6462100-00	BOTTOM BLOCK ASSM. (INCL. ITEMS 36 & 37A)	1
39	0556446-00	SWIVEL	2
40	0573812-00	SWIVEL BAND ASSM. (INCL. ITEMS 36 & 37A)	1
40A	0175792-00	SWIVEL BAND	1
41	0549576-00	BOTTOM HOOK, NUT & LATCH KIT (INC. ITEM 2)	1
42	0182571-00	PLUG	1
43	0182575-00	SPLICE LINK (NOT SHOWN)	2
44	0379039-00	HEX NUT, PAWL STUD	1
45	0150265-00	LOCKWASHER, PAWL STUD	1
46	6447103-00	WARNING DECAL (NOT SHOWN)	1
47	6446093-00	OPERATION INSTRUCTIONS DECAL (NOT SHOWN)	1

When Replacement Parts Are Needed, Order Only Yale[®] Factory Engineered Parts

PC Series Ratchet Lever Hoist 1 1/2 Ton Roller Chain



When Replacement Parts Are Needed, Order Only Yale® Factory Engineered Parts

ITEM	PART NO.	DESCRIPTION	QTY.
1	6460692-02	TOP HOOK, NUT AND LATCH KIT (INCL. ITEMS 2)	1
2	0669402-00	SAFETY LATCH KIT	2
3	6412791-00	SELF TAPPING SCREW	3
4	0350272-00	HEX HEAD BOLT	1
5	0401004-00	LOCKWASHER	4
6	0156289-00	ZERK FITTING	1
7	0167691-00	HOUSING CAPACITY COV. ASM. (INCL. ITEMS 7A & 8)	1
7A	0167690-00	HOUSING CAP COVER	1
8	6417681-00	BUSHING	2
9	0167721-00	GEAR AND SPROCKET	1
10	6430894-00	PINION	1
11	0167717-00	STRIPPER	1
12	6475740-00	HOUSING ASSEMBLY (INCL. ITEMS 6, 12A, 13 & 15)	1
12A	6412586-00	HOUSING	1
13	6435213-00	OILITE BEARING	1
14	0167763-00	LOAD BRAKE PAWL	1
15	0167790-00	BRAKE PAWL ROD	1
16	0167773-00	BRAKE PAWL SPRING	1
17	6414201-00	FRICITION PLATE	1
18	6476544-00	BRAKE DISC	2
19	0167736-00	RATCHET DISC	1
20	0168179-00	LOAD BRAKE COVER	1
21	6461588-00	SELF TAPPING SCREW	5
22	0167736-00	RATCHET	1
23	0167705-00	RATCHET LEVER ASM. (INC. 24 THRU 28, 43 THRU 45)	1
24	0167704-00	RATCHET LEVER	1
25	0167826-00	PAWL ROD LEVER	1
26	5004099-01	LEVER ROD PIN	1
27	0167817-00	LEVER PAWL SPRING	1
28	0167809-00	RATCHET LEVER PAWL AND ROD ASSEMBLY	1
29	0167714-00	HANDWHEEL	1
30	0143734-00	FLAT WASHER	1
31	0381404-00	COTTER PIN	1
32	0149779-00	SLOTTED NUT	1
33	0168176-00	ROLLER CHAIN 5 FOOT LIFT (INCL. ITEMS 41 & 42)	1
	0034268-00	BULK ROLLER CHAIN (SPECIFY LINEAL FEET)	-
34	6462110-00	BOTTOM BLOCK ASSM. (INCL ITEMS 35, 37 & 38)	1
35	0556445-00	BOTTOM SWIVEL	2
36	0573813-00	SWIVEL BAND ASSM. (INCL. ITEMS 35 & 37)	1
37	0168165-00	SWIVEL BAND	1
38	0562364-00	BOTTOM HOOK ASSM. (INCL. ITEM 2)	1
39	0594860-00	DRIVE SCREW (NOT SHOWN) USED ON GOV. ONLY	2
40	6414781-00	NAMEPLATE (NOT SHOWN) USED ON GOV. ONLY	1
41	6409280-00	LINK ASSEMBLY	1
42	6417630-00	WASHER AND PIN ASSEMBLY	1
43	0182571-00	PLUG	1
44	6446103-00	WARNING DECAL (NOT SHOWN)	1
45	6446093-00	OPERATING INSTRUCTION DECAL (NOT SHOWN)	1
46	0182620-00	SPLICED LINK (NOT SHOWN)	2

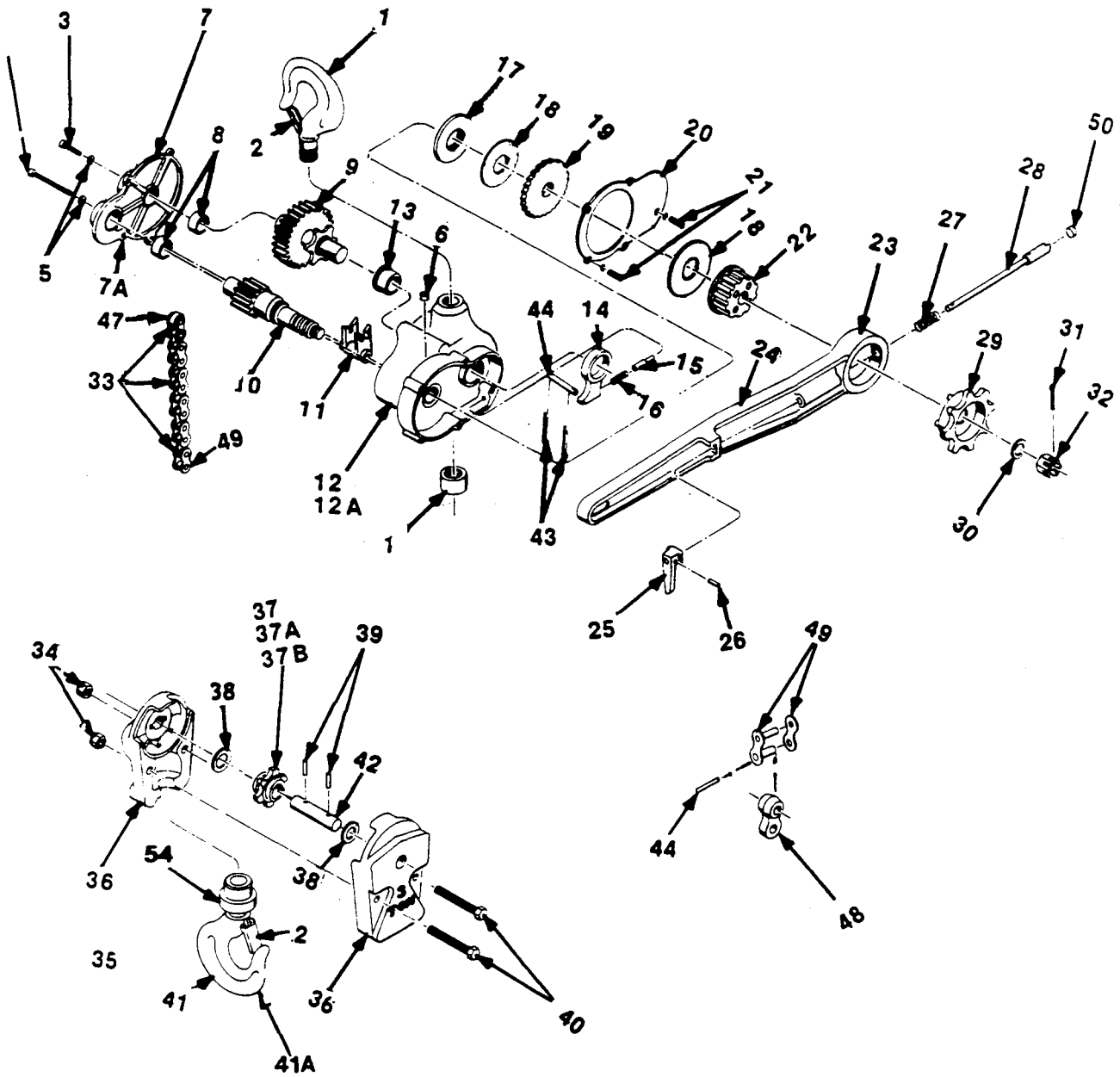
TO PROVIDE ADDITIONAL LIFT USE ITEM 46 FOR SPLICING CHAIN.

When Replacement Parts Are Needed, Order Only Yale® Factory Engineered Parts

PC Series Ratchet Lever Hoist

3 Ton Roller Chain

1 1/2 - 3 Ton Convertible Roller Chain



Note: To Convert From 3 To 1 1/2 Ton
 Remove Chain End Pin Item Number 44 To Detach Chain Anchor (Item 48) From Housing. Chain Anchor Will Then Bear Against Bottom Block Frame Preventing The Chain From Passing Around The Bottom Block Sprocket.

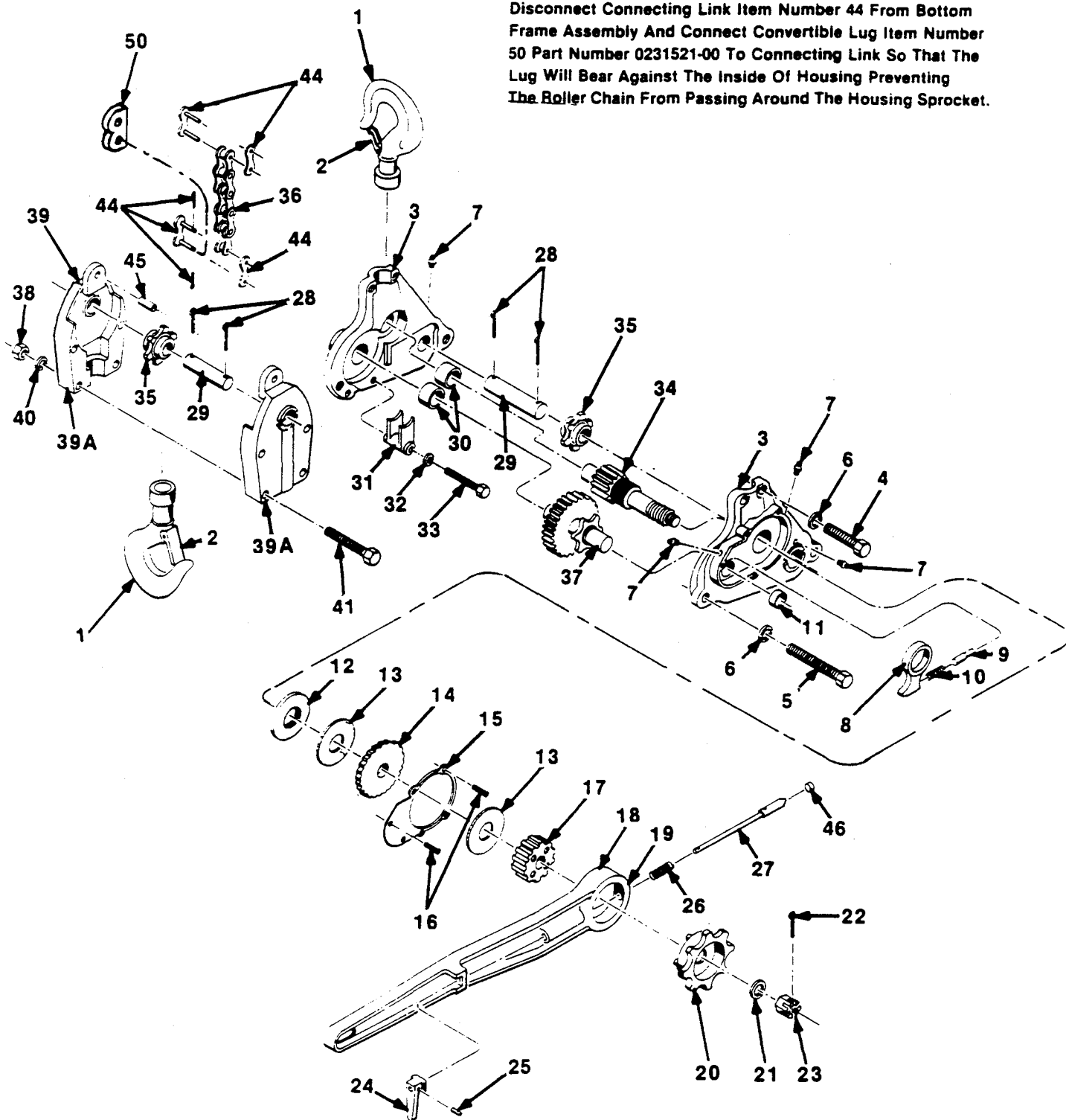
When Replacement Parts Are Needed, Order Only Yale® Factory Engineered Parts

PC SERIES RATCHET LEVER HOIST
1 1/2 - 3 Ton Convertible Roller Chain

ITEM NUMBER	PART NUMBER	DESCRIPTION	QTY
1	0541777-00	TOP HOOK, NUT AND LATCH KIT (INCL ITEM 2)	1
2	0669403-00	SAFETY LATCH KIT	2
3	6412791-00	SELF TAPPING SCREW	3
4	0350272-00	HEX HEAD BOLT	1
5	0401004-00	LOCKWASHER	4
6	0156289-00	ZERK FITTING	1
7	0167694-00	HOUSING CAPACITY COVER ASM (INCL ITEMS 7A & 8)	1
7A	0167693-00	HOUSING CAP COVER	2
8	6417681-00	OILITE BUSHING	1
9	0167721-00	GEAR AND SPROCKET	1
10	6430894-00	PINION	1
11	0167717-00	STRIPPER	1
12	6475740-00	HOUSING ASM (INCL ITEMS 6, 12A, 13, & 15)	1
12A	6421586-00	HOUSING	1
13	6435213-00	OILITE BEARING	1
14	0167763-00	LOAD BRAKE PAWL	1
15	0167790-00	BRAKE PAWL ROD	1
16	0167773-00	BRAKE PAWL SPRING	1
17	6414201-00	FRICITION PLATE	1
18	6476544-00	BRAKE DISC	2
19	0167743-00	RATCHET DISC	1
20	0168179-00	LOAD BRAKE COVER	1
21	6461588-00	SELF TAPPING SCREW	5
22	0167736-00	RATCHET	1
23	0167705-00	RATCHET LEVER ASM (INCL ITEMS 24-28)	1
24	0167804-00	RATCHET LEVER	1
25	0167826-00	PAWL ROD LEVER	1
26	5004099-01	LEVER ROD PIN	1
27	0167817-00	LEVER PAWL SPRING	1
28	0167809-00	RATCHET LEVER PAWL AND ROD ASM	1
29	0167714-00	HANDWHEEL	1
30	0143734-00	FLAT WASHER	1
31	0381404-00	COTTER PIN	1
32	0149779-00	SLOTTED NUT	1
33	0653045-00	ROLLER CHAIN 5' LIFT (INCL ITEMS 47-49)	1
	0034268-00	BULK ROLLER CHAIN (SPECIFY LINEAL FEET)	1
34	0150153-00	LOCKNUT	2
35	6453250-00	BOTTOM BLOCK ASM (INCL ITEMS 34, 36, 37-42)	1
36	6413426-00	BOTTOM BLOCK HALF	2
37	5031211-00	SPROCKET ASM (INCL ITEMS 37A & 37B)	1
37A	0643703-00	IDLER SPROCKET	1
37B	0239938-00	IDLER SPROCKET BUSHING (NOT SHOWN)	1
38	0143734-00	SHEAVE WASHER	2
39	0230207-00	ROLL PIN	1
40	0146724-00	HEX HEAD SCREW	2
41	6456492-00	BOTTOM HOOK ASM (INCL ITEM 2)	1
41A	6494220-00	BOTTOM HOOK & BEARING ASM (INCL ITEM 2 & 54)	1
42	0644897-00	SHEAVE AXLE	1
43	0150153-00	NUT	2
44	6428961-00	SOCKET HEAD SCREW	1
45	0594860-00	DRIVE SCREW (NOT SHOWN) USED ON GOV ONLY	2
46	6414781-00	NAMEPLATE (NOT SHOWN) USED ON GOV ONLY	1
47	6409280-00	CONNECTION LINK & ROLLER STOP ASM	1
48	0643011-00	CHAIN ANCHOR	1
49	0653019-00	CONNECTING LINK	1
50	0182571-00	PLUG	1
51	6446093-00	WARNING DECAL (NOT SHOWN)	1
52	6446093-00	OPERATING INSTRUCTIONS DECAL (NOT SHOWN)	1
53	0182620-00	SPLICE LINK (NOT SHOWN)	2
54	0501931-00	BEARING	1

PC Series Ratchet Lever Hoist 4 1/2 Ton Roller Chain

Note: To Convert From 4 1/2 To 3 Ton
Disconnect Connecting Link Item Number 44 From Bottom
Frame Assembly And Connect Convertible Lug Item Number
50 Part Number 0231521-00 To Connecting Link So That The
Lug Will Bear Against The Inside Of Housing Preventing
The Roller Chain From Passing Around The Housing Sprocket.



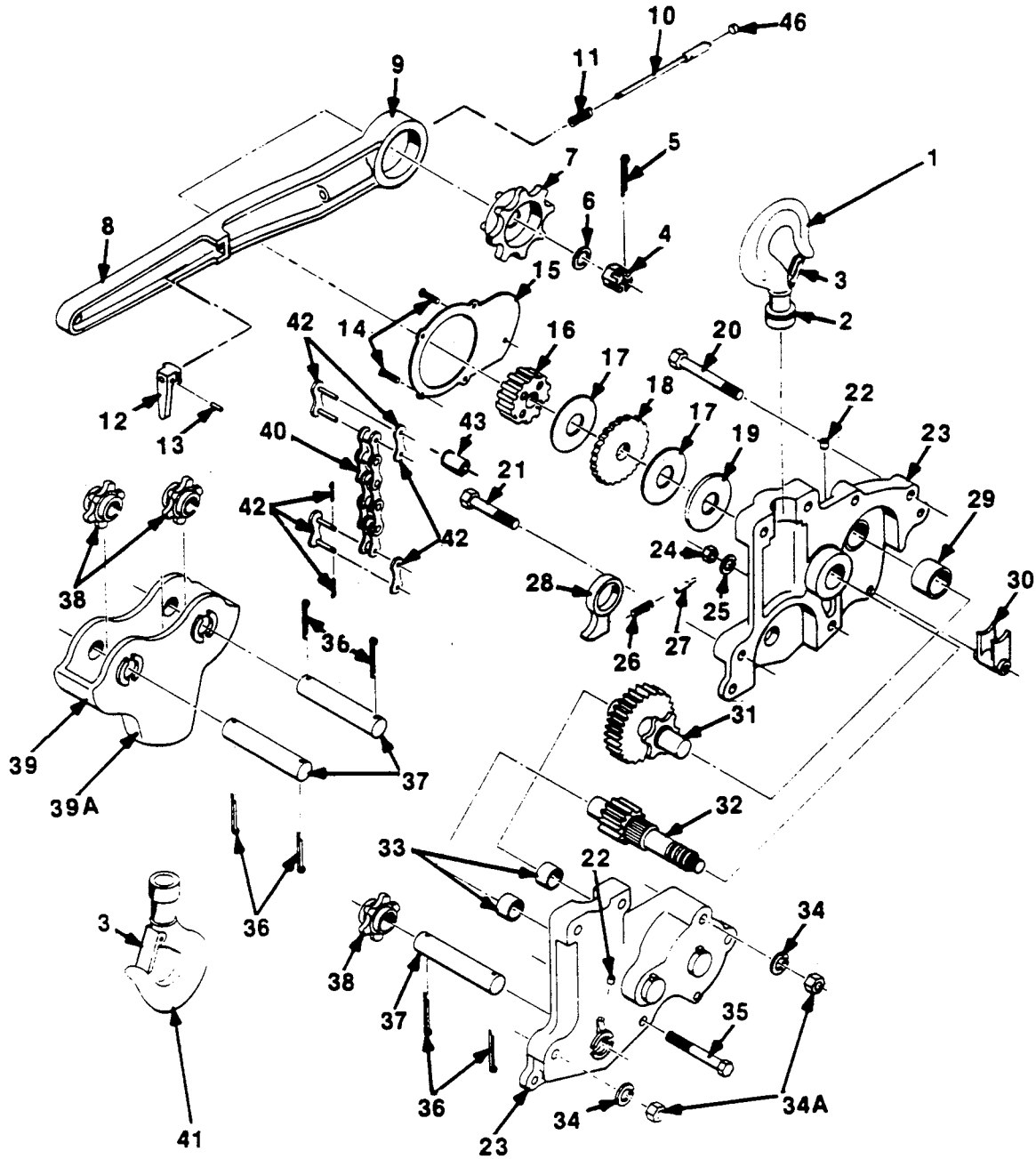
When Replacement Parts Are Needed, Order Only Yale® Factory Engineered Parts

**PC Series Ratchet Lever Hoist 4½ Ton Roller Chain
3 - 4½ Ton Convertible Roller Chain**

ITEM	PART NO.	DESCRIPTION	QTY.
1	6471700-00	TOP AND BOTTOM HOOK, NUT AND LATCH KIT (INC. ITEMS 2)	2
2	0669404-00	SAFETY LATCH KIT	2
3	0646695-00	HOUSING ASSM. INCLUDES ITEMS 4,5,6,7,11 & 30	1
4	0554851-00	SCREW	3
5	0185573-00	SCREW	1
6	0150266-00	LOCKWASHER	4
7	0156289-00	ALEMITE FITTING	4
8	0167763-00	PAWL	1
9	0167790-00	PAWL SPRING ROD	1
10	0167773-00	PAWL SPRING	1
11	6435213-00	HARDENED BEARING	1
12	6414201-00	FRICITION PLATE	1
13	6476544-00	BRAKE DISC	2
14	0167743-00	RATCHET DISC	1
15	0168179-00	LOAD BRAKE COVER	1
16	6461588-00	SCREW	5
17	0167736-00	RATCHET	1
18	0167705-00	RATCHET LEVER ASSM. (INCL. ITEMS 19,24,25,26,27,46,47,&48)	1
19	0167704-00	RATCHET LEVER	1
20	0167714-00	HANDWHEEL	1
21	0143734-00	FLAT WASHER	1
22	0381404-00	COTTER PIN	1
23	0149779-00	SLOTTED NUT	1
24	0167826-00	PAWL ROD PIN	1
25	5004099-01	LEVER ROD PIN	1
26	0167817-00	LEVER ROD SPRING	1
27	0167809-00	RATCHET LEVER PAWL & ROD ASSEMBLY	1
28	0381401-00	COTTER PIN	4
29	0182538-00	SPROCKET SHAFT	2
30	6417681-00	BEARING	2
31	0167717-00	STRIPPER	1
32	0401004-00	LOCKWASHER	1
33	0576995-00	STRIPPER BOLT	1
34	6430894-00	PINION	1
35	0182525-01	SPROCKET	2
36	0185564-00	ROLLER CHAIN 5 FOOT LIFT (INCL. ITEM 44)	1
	0034268-00	BULK ROLLER CHAIN (SPECIFY LINEAL FEET)	-
37	0167721-00	GEAR AND SPROCKET	1
38	0379025-00	HEX NUT	4
39	6464680-00	BOTTOM BLOCK ASSM. (INC. ITEMS 1,28,29,35,39A & 45)	1
39A	0646696-00	BOTTOM FRAME ASSEMBLY	2
40	0401007-00	LOCKWASHER	4
41	2031505-00	HEX BOLT	4
42	0594860-00	DRIVE SCREW (NOT SHOWN) USED ON GOV. ONLY	2
43	6414781-00	NAMEPLATE (NOT SHOWN) USED ON GOV. ONLY	1
44	0232384-00	CONNECTING LINK	2
45	0184730-00	BUSHING FOR ROLLER CHAIN	1
46	0182571-00	PLUG	1
47	6446103-00	WARNING DECAL (NOT SHOWN)	1
48	6446093-00	OPERATING INSTRUCTION DECAL (NOT SHOWN)	1
49	0182620-00	SPLICE LINK (NOT SHOWN)	1

When Replacement Parts Are Needed, Order Only Yale[®] Factory Engineered Parts

PC Series Ratchet Lever Hoist 6 Ton Roller Chain

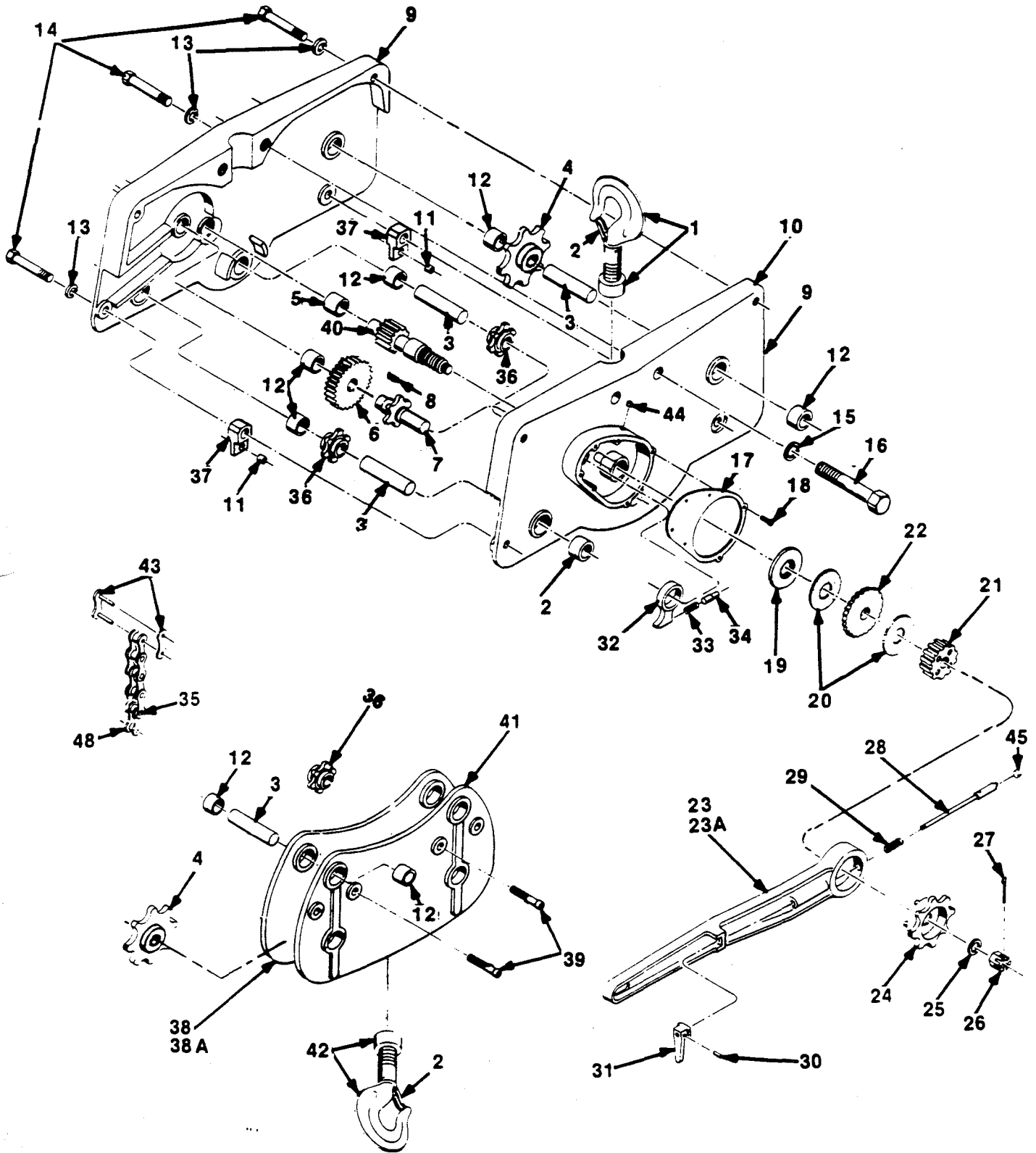


When Replacement Parts Are Needed, Order Only Yale® Factory Engineered Parts

ITEM	PART NO.	DESCRIPTION	QTY.
1	0543878-00	TOP HOOK, WASHER, NUT AND LATCH KIT (INC. ITEMS 1,2,3)	1
2	6429608-00	TOP HOOK WASHER	1
3	0669406-00	SAFETY LATCH KIT	2
4	0149779-00	SLOTTED NUT	1
5	0381404-00	COTTER PIN	1
6	0143734-00	FLAT WASHER	1
7	0167714-00	HANDWHEEL	1
8	0167705-00	RATCHET LEVER ASSM. (INCL. ITEMS 9 THRU 13,46,47 & 48)	1
9	0167704-00	RATCHET LEVER	1
10	0167809-00	RATCHET LEVER PAWL AND ROD ASSEMBLY	1
11	0167817-00	LEVER PAWL SPRING	1
12	0167826-00	PAWL ROD LEVER	1
13	5004099-01	LEVER ROD PIN	1
14	6461588-00	FLAT HEAD SCREW	5
15	0168179-00	LOAD BRAKE COVER	1
16	0167736-00	RATCHET	1
17	6476544-00	BRAKE DISC	2
18	0167743-00	RATCHET DISC	1
19	6414201-00	FRICTION PLATE	1
20	0568354-00	HEX HEAD BOLT	2
21	0576997-00	HEX HEAD BOLT	4
22	0156289-00	BALL VALVE OIL COVER	6
23	A182523-00	HOUSING ASSEMBLY (INC. ITEMS 20, THRU 22,29,33,34,34A &43)	1
24	0379017-00	HEX NUT	1
25	0401004-00	LOCKWASHER	1
26	0167773-00	BRAKE PAWL SPRING	1
27	0167790-00	BRAKE PAWL SPRING ROD	1
28	0167763-00	LOAD BRAKE PAWL	1
29	6435213-00	OILITE BEARING	1
30	0167717-00	STRIPPER	1
31	0167721-00	GEAR AND SPROCKET	1
32	6430894-00	PINION	1
33	6417681-00	OILITE BUSHING	2
34	0150266-00	LOCKWASHER	6
34A	0149648-00	HEX NUT	6
35	0350272-00	HEX HEAD BOLT	1
36	0381401-00	COTTER PIN	6
37	0182538-00	SPROCKET SHAFT	3
38	0182535-01	SPROCKET	3
39	6464810-00	BOTTOM BLOCK ASSM. (INC. ITEMS 36,37,38,39A &41)	1
39A	0182526-00	BOTTOM FRAME	1
40	0182558-00	ROLLER CHAIN 5 FOOT LIFT (INCL. ITEM 42)	1
	0034268-00	BULK ROLLER CHAIN (SPECIFY LINEAL FEET)	-
41	0541779-00	BOTTOM HOOK & NUT (LATCH KIT) INCL. ITEM 42)	1
42	0232384-00	CONNECTING LINK	2
43	0184730-00	BUSHING FOR ROLLER CHAIN	1
44	6414781-00	NAMEPLATE (NOT SHOWN) USED ON GOV. ONLY	1
45	0594860-00	DRIVE SCREW (NOT SHOWN) USED ON GOV. ONLY	2
46	0182571-00	PLUG	1
47	6446103-00	WARNING DECAL (NOT SHOWN)	1
48	6446093-00	OPERATING INSTRUCTION DECAL (NOT SHOWN)	1
49	0182620-00	SPLICE LINK	1

When Replacement Parts Are Needed, Order Only Yale[®] Factory Engineered Parts

PC Series Ratchet Lever Hoist 15 Ton Roller Chain



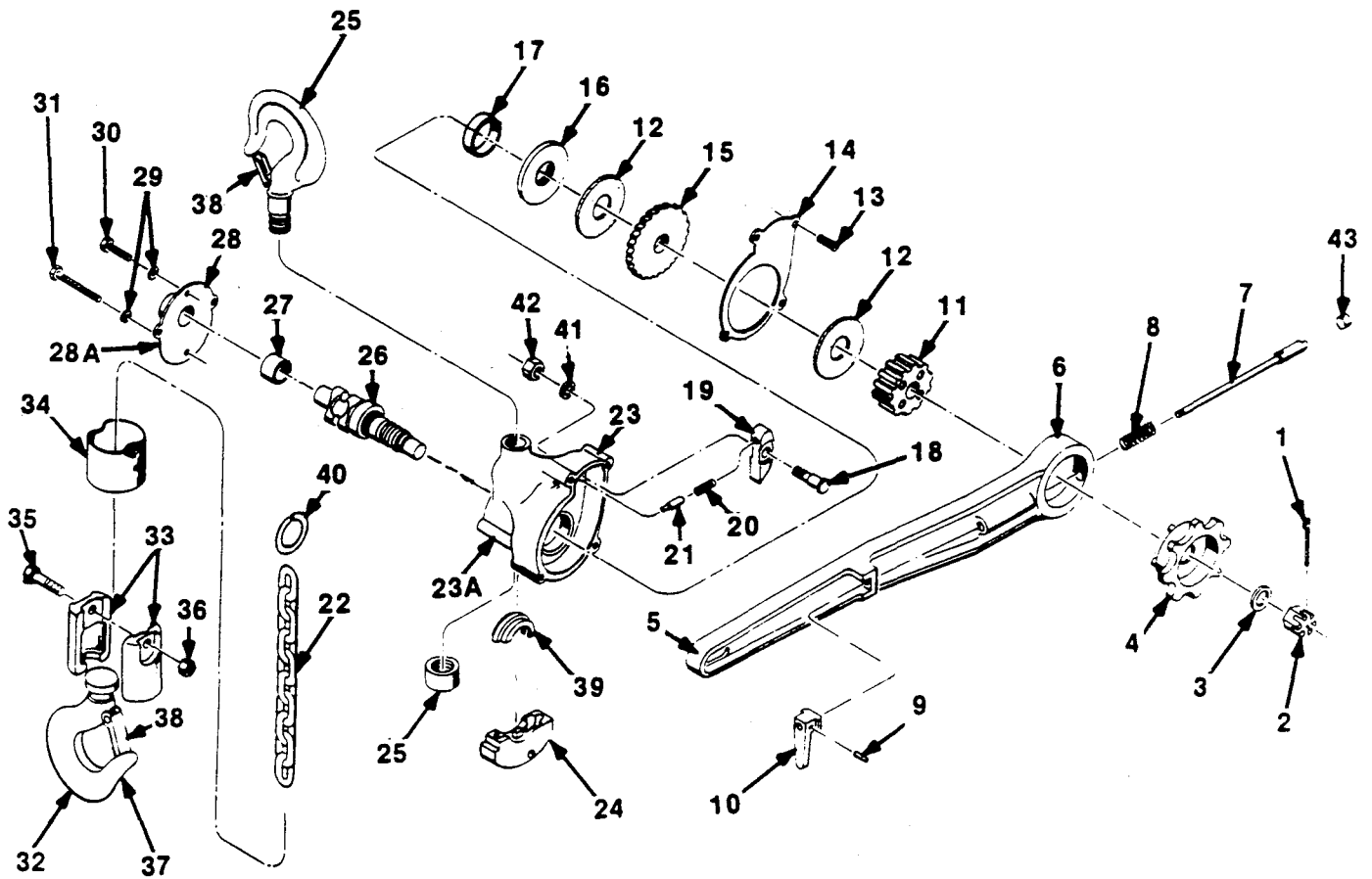
When Replacement Parts Are Needed, Order Only Yale® Factory Engineered Parts

**FC Series Ratchet Lever Hoist
15 Ton Roller Chain**

ITEM	PART NO.	DESCRIPTION	QTY.
1	0541780-00	TOP HOOK, NUT, AND LATCH KIT (INC. ITEM 2)	1
2	0669407-00	SAFETY LATCH KIT	2
3	0217733-00	SPROCKET SHAFT	7
4	0217719-00	SPROCKET	3
5	0217754-00	NEEDLE BEARING	1
6	0217689-00	GEAR	1
7	0217696-00	SPROCKET	1
8	0217829-00	KEY, GEAR & SPROCKET	1
9	0217829-00	HOUSING ASSM. (INCL. ITEMS 5,10,12,13,15,37, & 44)	1
10	0627308-00	HOUSING (INCL. ITEMS 14 & 16)	1
11	0184730-00	BUSHING FOR ROLLER CHAIN	2
12	0217745-00	NEEDLE BEARING	16
13	0401008-00	LOCKWASHER	4
14	0585220-00	HEX HEAD BOLTS	4
15	0150296-00	LOCKWASHER	2
16	2031599-00	HEX HEAD BOLT	2
17	0217821-00	LOAD BRAKE COVER	1
18	6461588-00	FLAT HEAD SCREW	6
19	6414201-00	FRICTION PLATE	1
20	6476544-00	BRAKE DISC	2
21	0167732-00	RATCHET	1
22	0217786-00	RATCHET DISC	1
23	6476060-00	RATCHET LEVER ASSM. (INC. ITEMS 23A,28,29,30 &31)	1
23A	0217854-01	RATCHET LEVER (INC. ITEM 45)	1
24	0167714-00	HANDWHEEL	1
25	0143734-00	FLAT WASHER	1
26	0149779-00	SLOTTED NUT	1
27	0381404-00	COTTER PIN	1
28	0167809-00	RATCHET LEVER PAWL & ROD ASSEMBLY	1
29	0167817-00	LEVER PAWL SPRING	1
30	5004099-01	LEVER ROD PIN	1
31	0167826-00	PAWL ROD LEVER	1
32	0217803-00	LOAD BRAKE PAWL	1
33	0387001-00	PAWL SPRING ROD	1
34	0394001-00	PAWL SPRING	1
35	0182569-00	ROLLER CHAIN 5 FOOT LIFT (INC. ITEM 43)	1
	0034268-00	BULK ROLLER CHAIN (SPECIFY LINEAL FEET)	-
36	0217711-01	SPROCKET	4
37	0217685-01	CHAIN ANCHOR (INCL. ITEM 11)	2
38	6464870-00	BOTTOM BLOCK ASSM. (INCL. ITEMS 3,4,12,36,39 & 42)	1
38A	0217681-01	BOTTOM FRAME ASSM. (INCL. ITEMS 12 & 41)	1
39	0217835-00	ALLEN HEAD SCREW	4
40	6437664-00	PINION	1
41	0217681-00	BOTTOM FRAME	1
42	0541780-00	BOTTOM HOOK, NUT AND LATCH KIT (INCL. ITEM 2)	1
43	0232384-00	CONNECTING LINK	2
44	0182552-00	LUBRICATION FITTING	1
45	0182571-00	PLUG	1
46	6446103-00	WARNING DECAL (NOT SHOWN)	1
47	6446093-00	OPERATING INSTRUCTIONS DECAL (NOT SHOWN)	1
48	0182620-00	SPLICE LINK	1

When Replacement Parts Are Needed, Order Only Yale[®] Factory Engineered Parts

PD Series Ratchet Lever Hoist 3/4 Ton Link Chain



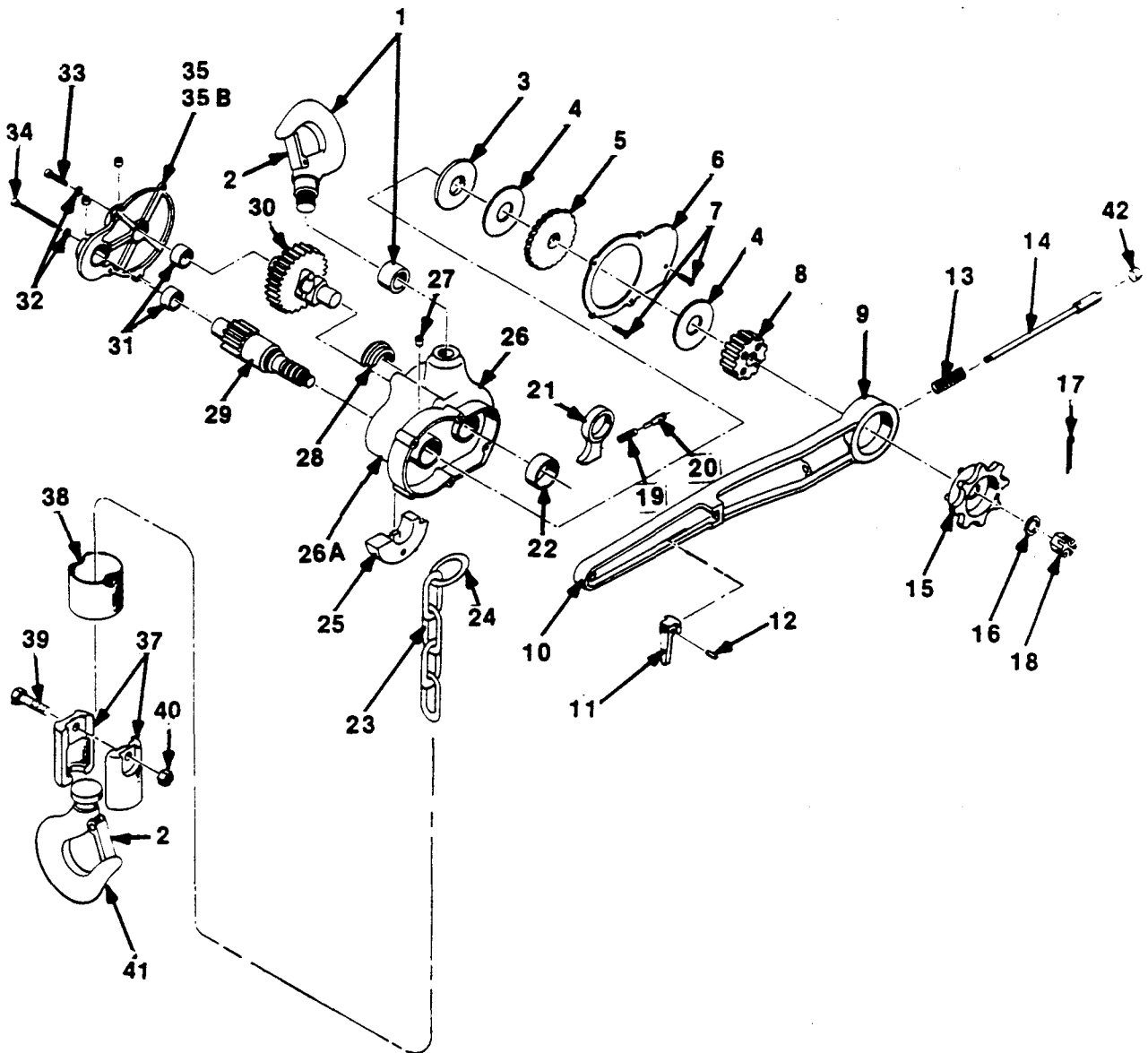
When Replacement Parts Are Needed, Order Only Yale® Factory Engineered Parts

**PD Series Ratchet Lever Hoist
3/4 Ton Link Chain**

ITEM	PART NO.	DESCRIPTION	QTY.
1	0381404-00	COTTER PIN	1
2	0149779-00	SLOTTED NUT	1
3	0143734-00	FLAT WASHER	1
4	0167705-00	HANDWHEEL	1
5	0167705-00	RATCHET LEVER ASSM. (INCL. ITEMS 6 THRU 10 & 43)	1
6	0167704-00	RATCHET LEVER	1
7	0167809-00	RATCHET LEVER PAWL ROD	1
8	0167817-00	LEVER PAWL SPRING	1
9	5004099-01	LEVER ROD PIN	1
10	0167826-00	PAWL ROD LEVER	1
11	0167736-00	RATCHET	1
12	6476544-00	BRAKE DISC	2
13	6461588-00	SELF TAPPING SCREW	4
14	0176032-00	LOAD BRAKE COVER	1
15	0167743-00	RATCHET DISC	1
16	6414201-00	FRICITION PLATE	1
17	6445843-00	SUPER OILITE BEARING	1
18	6444603-00	PAWL STUD	1
19	0175947-00	LOAD BRAKE PAWL	1
20	0167773-00	BRAKE PAWL SPRING	1
21	0167790-00	BRAKE PAWL SPRING ROD	1
22	0033640-00	BULK LOAD CHAIN (SPECIFY LINEAL FEET)	-
23	6475730-00	HOUSING ASSM. (INCL. ITEMS 17,20 & 23A)	1
23A	6442406-00	HOUSING	1
24	0164988-00	BOTTOM LOAD CHAIN GUIDE	1
25	0563776-00	TOP HOOK, NUT & LATCH KIT (INCL. ITEM 38)	1
26	6425143-00	LOAD SHEAVE	1
27	6411741-00	SUPER OILITE BEARING	1
28	6475710-00	HOUSING CAP COVER ASSM. (INCL. ITEMS 27 & 28A)	1
28A	6426174-00	HOUSING CAP COVER	1
29	0150260-00	LOCKWASHER (1/4 INCH)	4
30	6401209-05	SELF TAPPING SCREW	3
31	6412691-00	SELF TAPPING SCREW	1
32	6425372-00	BOTTOM BLOCK ASSM. (INCL. ITEMS 33 THRU 38)	1
33	6420171-00	BOTTOM BLOCK HALF	2
34	6456701-00	RETAINING BAND	1
35	6428951-00	SOCKET HEAD SCREW	1
36	0150152-00	NUT	1
37	6425382-00	BOTTOM HOOK & LATCH KIT (INCL. ITEM 38)	1
38	0669400-00	SAFETY LATCH KIT	2
39	0164984-00	TOP LOAD CHAIN GUIDE	1
40	0164373-00	CHAIN STOP	1
41	0150265-00	LOCKWASHER PAWL STUD	1
42	0379039-00	HEX NUT, PAWL ROD	1
43	0182571-00	PLUG, PAWL ROD	1
44	6446103-00	WARNING DECAL (NOT SHOWN)	1
45	6446093-00	OPERATING INSTRUCTIONS DECAL (NOT SHOWN)	1

When Replacement Parts Are Needed, Order Only Yale[®] Factory Engineered Parts

PD Series Ratchet Lever Hoist 1 1/2 Ton Link Chain



When Replacement Parts Are Needed, Order Only Yale® Factory Engineered Parts

**PD Series Ratchet Lever Hoist
1½ Ton Link Chain**

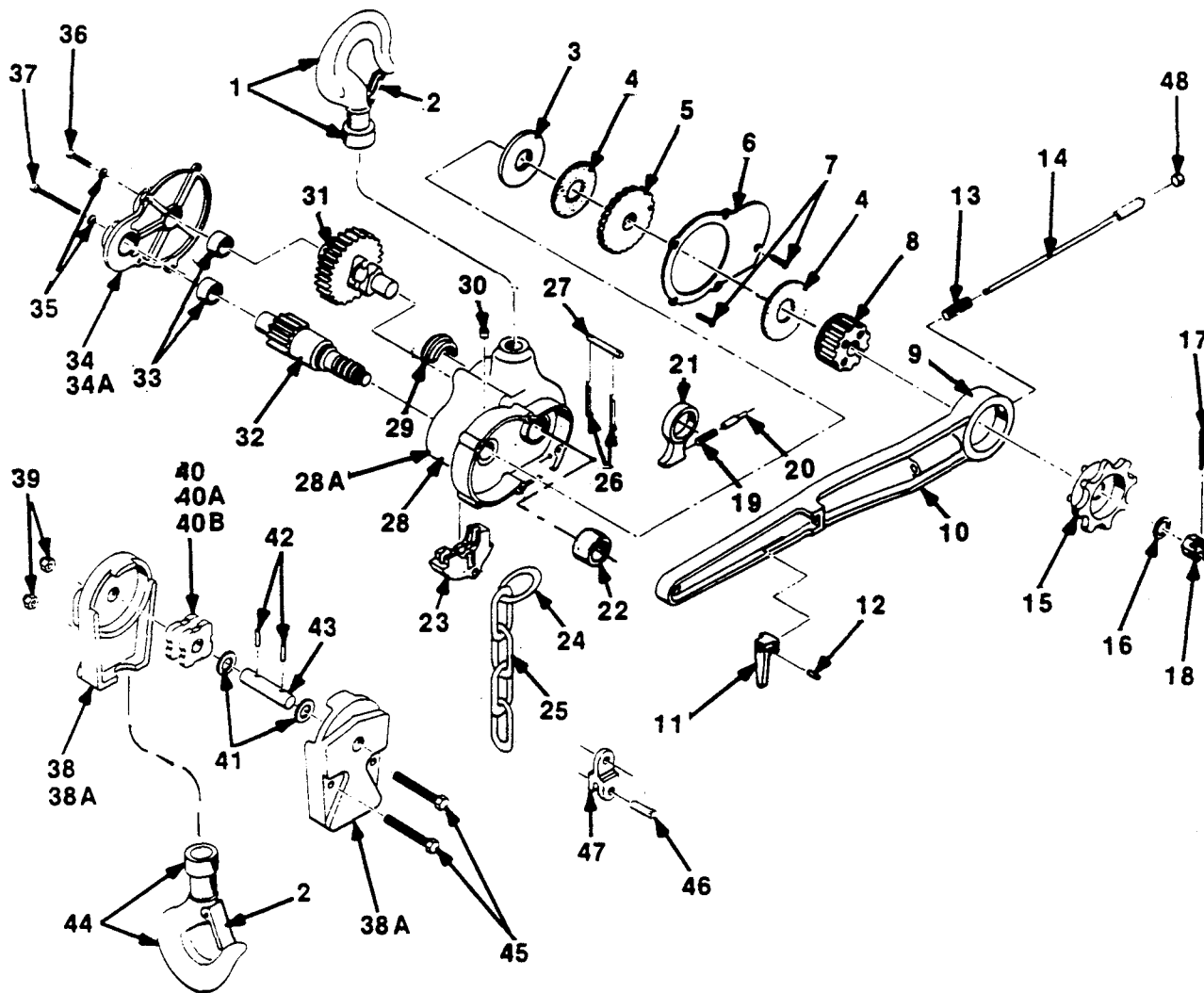
ITEM	PART NO.	DESCRIPTION	QTY.
1	6460692-02	TOP HOOK, NUT & LATCH KIT (INCL. ITEM 2)	1
2	0669402-00	SAFETY LATCH KIT	2
3	6414201-00	FRICITION PLATE	1
4	6476544-00	BRAKE DISC	2
5	0167743-00	RATCHET DISC	1
6	0168179-00	LOAD BRAKE COVER	1
7	6461588-00	SELF TAPPING SCREW	5
8	0167736-00	RATCHET	1
9	0167705-00	RATCHET LEVER ASSM. (INCL. ITEMS 10 THRU 14 & 42,43 & 44)	1
10	0167704-00	RATCHET LEVER	1
11	0167826-00	PAWL ROD LEVER	1
12	5004099-01	LEVER ROD PIN	1
13	0167817-00	LEVER PAWL SPRING	1
14	0167809-00	RATCHET LEVER PAWL & ROD	1
15	0167714-00	HANDWHEEL	1
16	0143734-00	FLAT WASHER	1
17	0381404-00	COTTER PIN	1
18	0149779-00	SLOTTED NUT	1
19	0167773-00	BRAKE PAWL SPRING	1
20	0167790-00	BRAKE PAWL ROD	1
21	0167763-00	LOAD BRAKE PAWL	1
22	6435213-00	OILITE BEARING	1
23	0033645-00	BULK LOAD CHAIN (SPECIFY LINEAL FEET)	-
	0033646-00	BULK LOAD CHAIN. CAD PLATED (SPECIFY LINEAL FEET)	-
24	0164373-00	CHAIN STOP	1
25	0164990-00	BOTTOM LOAD CHAIN GUIDE	1
26	6475740-00	HOUSING ASSEMBLY (INC. ITEMS 20,22,26A & 27)	1
26A	6412586-00	HOUSING	1
27	0156289-00	BALL VALVE OIL HOLE COVER	1
28	0164986-00	TOP LOAD CHAIN GUIDE	1
29	6430894-00	PINION	1
30	0165121-00	GEAR & LOAD SHEAVE	1
31	6417681-00	OILITE BUSHING	2
32	0401004-00	LOCKWASHER	4
33	6412791-00	SELF TAPPING SCREW	3
34	0350272-00	HEX HEAD BOLT	1
35	0167691-00	HOUSING CAP COVER ASSM. (INC. ITEMS 31 & 35B)	1
35B	0167690-00	HOUSING CAP COVER	1
36	6425942-00	BOTTOM BLOCK ASSM. (INC. ITEMS 37 THRU 41)	1
37	6420391-00	BLOCK HALF	2
38	6456711-00	RETAINING BAND	1
39	6428961-00	SOCKET HEAD SCREW	1
40	0150153-00	CROWN NUT	1
41	6425932-00	BOTTOM HOOK & LATCH KIT (INC. ITEM 2)	1
42	0182571-00	PLUG, PAWL ROD	1
43	6446103-00	WARNING DECAL (NOT SHOWN)	1
44	6446093-00	OPERATING INSTRUCTIONS DECAL (NOT SHOWN)	1

When Replacement Parts Are Needed, Order Only Yale[®] Factory Engineered Parts

PD Series Ratchet Lever Hoist

3 Ton Link Chain

1 1/2 - 3 Ton Convertible Link Chain



Note: To Convert From 3 To 1 1/2 Ton
 Remove Chain End Pin Item Number 27 To Detach Load Chain From Housing. Use Drive-Loc Pin Item Number 46 To Connect Convertible Lug Item Number 47 To Load Chain. Lug Will Then Bear Against Bottom Frame Preventing The Chain From Passing Around The Bottom Block Sheave.

When Replacement Parts Are Needed, Order Only Yale® Factory Engineered Parts

**PD Series Ratchet Lever Hoist
3 Ton Link Chain
1 1/2 - 3 Ton Convertible Link Chain**

ITEM	PART NO.	DESCRIPTION	QTY.
1	0541777-00	TOP HOOK, NUT, & LATCH KIT	1
2	0669403-00	SAFETY LATCH KIT	2
3	6414201-00	FRICTION PLATE	1
4	6476544-00	BRAKE DISC	2
5	0167743-00	RATCHET DISC	1
6	0168179-00	LOAD BRAKE COVER	1
7	6461588-00	SELF TAPPING SCREW	5
8	0167705-00	RATCHET	1
9	0167705-00	RATCHET LEVER ASSM. (INC. ITEMS 10-14,48,49 & 50)	1
10	0167704-00	RATCHET LEVER	1
11	0167826-00	PAWL ROD LEVER	1
12	5004099-01	LEVER ROD PIN	1
13	0167817-00	LEVER PAWL SPRING	1
14	0167809-00	RATCHET LEVER PAWL & ROD ASSM.	1
15	0167714-00	HANDWHEEL	1
16	0143734-00	FLAT WASHER	1
17	0381404-00	COTTER PIN	1
18	0149779-00	SLOTTED NUT	1
19	0167773-00	BRAKE PAWL SPRING	1
20	0167790-00	BRAKE PAWL ROD	1
21	0167763-00	LOAD BRAKE PAWL	1
22	6435213-00	OILITE BEARING	1
23	0164990-00	BOTTOM LOAD CHAIN GUIDE	1
24	0164373-00	CHAIN STOP	1
25	0033645-00	BULK LOAD CHN (SPECIFY LINEAL FEET)	-
	0033646-00	BULK LOAD CHN, CAD PLATED (SPECIFY LINEAL FEET)	-
26	6428961-00	SOCKET HEAD SCREW	2
27	0150153-00	NUT	1
28	6475740-00	HOUSING ASSM. (INC. ITEMS 20,22,28A, & 30)	1
29	0164986-00	TOP LOAD CHAIN GUIDE	1
30	0156289-00	ALEMITE	1
31	0165121-00	GEAR & LOAD SHEAVE	1
32	6430894-00	PINION	1
33	6417681-00	OILITE BUSHING	2
34	0167694-00	HOUSING CAP COVER ASSM. (INC. ITEMS 33 & 34A)	1
34A	0167693-00	HOUSING CAP COVER	1
35	0401004-00	LOCKWASHER	4
36	6412791-00	SELF TAPPING SCREW	3
37	0350272-00	HEX HEAD BOLT	1
38	6453260-00	BOTTOM BLOCK ASSM. (INC. ITEMS 38A THRU 45)	1
38A	6413426-00	BOTTOM BLOCK HALF	2
39	0150153-00	STOVER NUT	2
40	5031201-00	SHEAVE ASSM. (INCL. ITEMS 40A THRU 40B)	1
40A	0662248-00	SHEAVE	1
40B	0239938-00	SHEAVE BUSHING	1
41	5024651-00	SHEAVE WASHER	2
42	0230207-00	ROLL PIN	2
43	0644897-00	SHEAVE AXLE	1
44	6494220-00	BOTTOM HOOK & NUT (WITH SAFETY LATCH & BRG.)	1
45	0350234-00	HEX HEAD SCREW	2
46	0157071-00	DRIVE-LOC PIN (USED ON CONVERTIBLE ONLY)	1
47	0151616-00	CONVERTIBLE LUG (USED ON CONVERTIBLE ONLY)	1
48	0182571-00	PLUG	1
49	6446103-00	WARNING DECAL (NOT SHOWN)	1
50	6446093-00	OPERATING INSTRUCTIONS DECAL (NOT SHOWN)	1

When Replacement Parts Are Needed, Order Only Yale® Factory Engineered Parts

POWERED HOIST INSPECTION CHECK LIST

SEE PREVENTIVE MAINTENANCE SECTION OF INSTRUCTION MANUAL FOR DETAILS.

CHECK ONLY COMPONENTS APPLICABLE FOR SPECIFIC EQUIPMENT AND INSPECTION TYPE.

HOIST MODEL _____

HOIST S/N _____

HOOKS		YES	NO	CABLE		YES	NO	CHAINS		YES	NO
HARDWARE LOOSE	<input type="checkbox"/>	<input type="checkbox"/>	<input type="checkbox"/>	BROKEN WIRES AT ENDS	<input type="checkbox"/>	<input type="checkbox"/>	<input type="checkbox"/>	BINDING	<input type="checkbox"/>	<input type="checkbox"/>	<input type="checkbox"/>
CRACKS	<input type="checkbox"/>	<input type="checkbox"/>	<input type="checkbox"/>	BROKEN WIRES EXCESSIVE	<input type="checkbox"/>	<input type="checkbox"/>	<input type="checkbox"/>	CRACKED	<input type="checkbox"/>	<input type="checkbox"/>	<input type="checkbox"/>
EXCESSIVE WEAR	<input type="checkbox"/>	<input type="checkbox"/>	<input type="checkbox"/>	EXCESSIVE WEAR	<input type="checkbox"/>	<input type="checkbox"/>	<input type="checkbox"/>	TWISTED	<input type="checkbox"/>	<input type="checkbox"/>	<input type="checkbox"/>
BENT	<input type="checkbox"/>	<input type="checkbox"/>	<input type="checkbox"/>	KINKED OR DISTORTED	<input type="checkbox"/>	<input type="checkbox"/>	<input type="checkbox"/>	DISTORTED	<input type="checkbox"/>	<input type="checkbox"/>	<input type="checkbox"/>
SPREADING	<input type="checkbox"/>	<input type="checkbox"/>	<input type="checkbox"/>	CORROSION	<input type="checkbox"/>	<input type="checkbox"/>	<input type="checkbox"/>	CORRODED	<input type="checkbox"/>	<input type="checkbox"/>	<input type="checkbox"/>
FREELY ROTATE	<input type="checkbox"/>	<input type="checkbox"/>	<input type="checkbox"/>	HEAT DAMAGED	<input type="checkbox"/>	<input type="checkbox"/>	<input type="checkbox"/>	EXCESSIVE WEAR	<input type="checkbox"/>	<input type="checkbox"/>	<input type="checkbox"/>
LATCH DAMAGED	<input type="checkbox"/>	<input type="checkbox"/>	<input type="checkbox"/>					WORN CHAIN GUIDES	<input type="checkbox"/>	<input type="checkbox"/>	<input type="checkbox"/>
								POCKET WHEELS WORN	<input type="checkbox"/>	<input type="checkbox"/>	<input type="checkbox"/>
BRAKES		YES	NO	WIRING		YES	NO	DRUM & SHEAVES		YES	NO
MOTOR BRAKE WORN OR NOT OPERATING	<input type="checkbox"/>	<input type="checkbox"/>	<input type="checkbox"/>	LOOSE CONNECTIONS	<input type="checkbox"/>	<input type="checkbox"/>	<input type="checkbox"/>	WORN EXCESSIVELY	<input type="checkbox"/>	<input type="checkbox"/>	<input type="checkbox"/>
EXCESSIVE LOADBRAKE DRIFT OR BLACKLASH	<input type="checkbox"/>	<input type="checkbox"/>	<input type="checkbox"/>	FRAYED	<input type="checkbox"/>	<input type="checkbox"/>	<input type="checkbox"/>	CRACKED OR SCORED	<input type="checkbox"/>	<input type="checkbox"/>	<input type="checkbox"/>
EXCESSIVE DISC WEAR	<input type="checkbox"/>	<input type="checkbox"/>	<input type="checkbox"/>	DAMAGED	<input type="checkbox"/>	<input type="checkbox"/>	<input type="checkbox"/>				
				PROPER GROUNDING	<input type="checkbox"/>	<input type="checkbox"/>	<input type="checkbox"/>				
LIMIT SWITCHES		YES	NO	LOAD LIMITING DEVICE		YES	NO	COLLECTORS		YES	NO
OPERATING PROPERLY	<input type="checkbox"/>	<input type="checkbox"/>	<input type="checkbox"/>	OPERATING PROPERLY	<input type="checkbox"/>	<input type="checkbox"/>	<input type="checkbox"/>	BINDING	<input type="checkbox"/>	<input type="checkbox"/>	<input type="checkbox"/>
								EXCESSIVE WEAR	<input type="checkbox"/>	<input type="checkbox"/>	<input type="checkbox"/>
HOUSING		YES	NO	OPERATION CONTROLS		YES	NO	LUBRICATION		YES	NO
DISTORTED	<input type="checkbox"/>	<input type="checkbox"/>	<input type="checkbox"/>	CONTACTOR PITTING	<input type="checkbox"/>	<input type="checkbox"/>	<input type="checkbox"/>	ALL POINTS LUBRICATED AS GIVEN IN LUB CHART	<input type="checkbox"/>	<input type="checkbox"/>	<input type="checkbox"/>
CRACKS	<input type="checkbox"/>	<input type="checkbox"/>	<input type="checkbox"/>	OPERATING PROPERLY	<input type="checkbox"/>	<input type="checkbox"/>	<input type="checkbox"/>	OIL DARK OR LOW	<input type="checkbox"/>	<input type="checkbox"/>	<input type="checkbox"/>
LOOSE HARDWARE	<input type="checkbox"/>	<input type="checkbox"/>	<input type="checkbox"/>	DAMAGED PUSH BUTTON	<input type="checkbox"/>	<input type="checkbox"/>	<input type="checkbox"/>	OIL LEAKS	<input type="checkbox"/>	<input type="checkbox"/>	<input type="checkbox"/>
BEARING NOISE	<input type="checkbox"/>	<input type="checkbox"/>	<input type="checkbox"/>	HOUSING	<input type="checkbox"/>	<input type="checkbox"/>	<input type="checkbox"/>				
SUPPORTING STRUCTURE		YES	NO	AIR SYSTEM		YES	NO	WARNING LABELS		YES	NO
CONTINUED ABILITY TO SUPPORT IMPOSED LOADS	<input type="checkbox"/>	<input type="checkbox"/>	<input type="checkbox"/>	LEAKING	<input type="checkbox"/>	<input type="checkbox"/>	<input type="checkbox"/>	MISSING	<input type="checkbox"/>	<input type="checkbox"/>	<input type="checkbox"/>
WORN OR DISTORTED TROLLEY PARTS	<input type="checkbox"/>	<input type="checkbox"/>	<input type="checkbox"/>	LOOSE CONNECTIONS	<input type="checkbox"/>	<input type="checkbox"/>	<input type="checkbox"/>	ILLEGIBLE	<input type="checkbox"/>	<input type="checkbox"/>	<input type="checkbox"/>
				BROKEN CONTROL PENDANT	<input type="checkbox"/>	<input type="checkbox"/>	<input type="checkbox"/>				

NOTE: IF ANY (☐) IS CHECKED DO NOT OPERATE THE HOIST UNTIL REPAIRS HAVE BEEN MADE.

REMARKS AND REPAIRS MADE _____

SIGNATURE _____ DATE _____ CLOCK NUMBER _____

POWERED HOIST INSPECTION CHECK LIST

SEE PREVENTIVE MAINTENANCE SECTION OF INSTRUCTION MANUAL FOR DETAILS.

CHECK ONLY COMPONENTS APPLICABLE FOR SPECIFIC EQUIPMENT AND INSPECTION TYPE.

HOIST MODEL _____

HOIST S/N _____

HOOKS	YES	NO	CABLE	YES	NO	CHAINS	YES	NO
HARDWARE LOOSE	<input type="checkbox"/>	<input type="checkbox"/>	BROKEN WIRES AT ENDS	<input type="checkbox"/>	<input type="checkbox"/>	BINDING	<input type="checkbox"/>	<input type="checkbox"/>
CRACKS	<input type="checkbox"/>	<input type="checkbox"/>	BROKEN WIRES EXCESSIVE	<input type="checkbox"/>	<input type="checkbox"/>	CRACKED	<input type="checkbox"/>	<input type="checkbox"/>
EXCESSIVE WEAR	<input type="checkbox"/>	<input type="checkbox"/>	EXCESSIVE WEAR	<input type="checkbox"/>	<input type="checkbox"/>	TWISTED	<input type="checkbox"/>	<input type="checkbox"/>
BENT	<input type="checkbox"/>	<input type="checkbox"/>	KINKED OR DISTORTED	<input type="checkbox"/>	<input type="checkbox"/>	DISTORTED	<input type="checkbox"/>	<input type="checkbox"/>
SPREADING	<input type="checkbox"/>	<input type="checkbox"/>	CORROSION	<input type="checkbox"/>	<input type="checkbox"/>	CORRODED	<input type="checkbox"/>	<input type="checkbox"/>
FREELY ROTATE	<input type="checkbox"/>	<input type="checkbox"/>	HEAT DAMAGED	<input type="checkbox"/>	<input type="checkbox"/>	EXCESSIVE WEAR	<input type="checkbox"/>	<input type="checkbox"/>
LATCH DAMAGED	<input type="checkbox"/>	<input type="checkbox"/>				WORN CHAIN GUIDES	<input type="checkbox"/>	<input type="checkbox"/>
						POCKET WHEELS WORN	<input type="checkbox"/>	<input type="checkbox"/>
BRAKES			WIRING			DRUM & SHEAVES		
MOTOR BRAKE WORN OR NOT OPERATING	<input type="checkbox"/>	<input type="checkbox"/>	LOOSE CONNECTIONS	<input type="checkbox"/>	<input type="checkbox"/>	WORN EXCESSIVELY	<input type="checkbox"/>	<input type="checkbox"/>
EXCESSIVE LOADBRAKE DRIFT OR BLACKLASH	<input type="checkbox"/>	<input type="checkbox"/>	FRAYED	<input type="checkbox"/>	<input type="checkbox"/>	CRACKED OR SCORED	<input type="checkbox"/>	<input type="checkbox"/>
EXCESSIVE DISC WEAR	<input type="checkbox"/>	<input type="checkbox"/>	DAMAGED	<input type="checkbox"/>	<input type="checkbox"/>			
			PROPER GROUNDING	<input type="checkbox"/>	<input type="checkbox"/>			
LIMIT SWITCHES			LOAD LIMITING DEVICE			COLLECTORS		
OPERATING PROPERLY	<input type="checkbox"/>	<input type="checkbox"/>	OPERATING PROPERLY	<input type="checkbox"/>	<input type="checkbox"/>	BINDING	<input type="checkbox"/>	<input type="checkbox"/>
						EXCESSIVE WEAR	<input type="checkbox"/>	<input type="checkbox"/>
HOUSING			OPERATION CONTROLS			LUBRICATION		
DISTORTED	<input type="checkbox"/>	<input type="checkbox"/>	CONTACTOR PITTING	<input type="checkbox"/>	<input type="checkbox"/>	ALL POINTS LUBRICATED AS GIVEN IN LUB CHART	<input type="checkbox"/>	<input type="checkbox"/>
CRACKS	<input type="checkbox"/>	<input type="checkbox"/>	OPERATING PROPERLY	<input type="checkbox"/>	<input type="checkbox"/>	OIL DARK OR LOW	<input type="checkbox"/>	<input type="checkbox"/>
LOOSE HARDWARE	<input type="checkbox"/>	<input type="checkbox"/>	DAMAGED PUSH BUTTON	<input type="checkbox"/>	<input type="checkbox"/>	OIL LEAKS	<input type="checkbox"/>	<input type="checkbox"/>
BEARING NOISE	<input type="checkbox"/>	<input type="checkbox"/>	HOUSING	<input type="checkbox"/>	<input type="checkbox"/>			
SUPPORTING STRUCTURE			AIR SYSTEM			WARNING LABELS		
CONTINUED ABILITY TO SUPPORT IMPOSED LOADS	<input type="checkbox"/>	<input type="checkbox"/>	LEAKING	<input type="checkbox"/>	<input type="checkbox"/>	MISSING	<input type="checkbox"/>	<input type="checkbox"/>
WORN OR DISTORTED TROLLEY PARTS	<input type="checkbox"/>	<input type="checkbox"/>	LOOSE CONNECTIONS	<input type="checkbox"/>	<input type="checkbox"/>	ILLEGIBLE	<input type="checkbox"/>	<input type="checkbox"/>
			BROKEN CONTROL PENDANT	<input type="checkbox"/>	<input type="checkbox"/>			

NOTE: IF ANY () IS CHECKED DO NOT OPERATE THE HOIST UNTIL REPAIRS HAVE BEEN MADE.

REMARKS AND REPAIRS MADE _____

SIGNATURE _____ DATE _____ CLOCK NUMBER _____

Yale[®]

HOISTS

WARRANTY

Every hoist is thoroughly inspected and tested prior to shipment from the factory. Should any problems develop, return the complete hoist prepaid to your nearest Yale Hoists Authorized Warranty Repair Station.

This warranty does not apply where: (1) deterioration is caused by normal wear, abuse, improper or inadequate power supply, eccentric or side loading, overloading, chemical or abrasive actions, improper maintenance or excessive heat; (2) problems resulted from repairs, modifications or

alterations made by persons other than factory or Yale Hoists personnel; (3) the hoist has been abused or damaged as a result of an accident; (4) repair parts or accessories other than those supplied by Yale Hoists are used on the hoist. Equipment and accessories not of the seller's manufacture are warranted only to the extent that they are warranted by the manufacturer. EXCEPT AS STATED HEREIN, YALE HOISTS MAKES NO OTHER WARRANTIES, EXPRESS OR IMPLIED, INCLUDING WARRANTIES OF MERCHANTABILITY AND FITNESS FOR A PARTICULAR PURPOSE.

Improvements:

Yale Hoists is constantly striving to improve its product. Changes in design and improvements will be made whenever manufacturer believes the efficiency of the product will be improved without incurring any obligation to incorporate such improvements in any products which have been shipped or are in service.

Important Notice:

Use of chain, wire rope or replacement parts other than as supplied as original equipment on Yale hoists may lead to dangerous operation. Accordingly, Yale Hoists cannot be responsible in such cases and our warranty will be voided.

For more information, write Yale Hoists, Forrest City, Arkansas 72335.

Yale[®] HOISTS
3105 N. Washington
P. O. Box 1000
Forrest City, Arkansas 72335
Customer Service (800) 999-6318
FAX (800) 766-0223