

OPERATION, SERVICE & PARTS MANUAL



Before installing hoist, fill in the information below. Refer to the Hoist and Motor data plates.

Model No. _____

Serial No. _____

Purchase Date _____

Voltage _____

Rated Load _____

SERIES 800

SHAW-BOX®

WIRE ROPE ELECTRIC HOISTS

INCLUDING

WEIGHT WATCHER OVERLOAD CLUTCH MODELS

RATED LOADS 1/2 THRU 5 TONS

FOREWORD

This manual contains important information to help you install, operate, maintain and service your new SHAW-BOX electric hoist. We recommend that you study its contents thoroughly before putting the hoist into use. Read ANSI B30.16 safety code for hoists. Then, thru proper installation, application of correct operating procedures, and by practicing the recommended maintenance suggestions you can expect maximum lifting service from the hoist.

It will likely be a long time before parts information found in Section IX is needed; therefore, after the hoist is installed and you have completely familiarized yourself with operation and preventive maintenance procedures, we suggest that this book be carefully filed for future reference.

When ordering replacement parts from this book, it will be necessary that you include, with your order, the Hoist Serial Number, Model Number and Catalog Number which is found on the nameplate attached to the hoist electrical cover. For your convenience, a space has been

provided on the front cover of this Manual for entering this information. We recommend that you fill it out immediately so it is readily at hand when needed.

The contents of this manual are of necessity, general in nature and may cover features not incorporated on your hoist; therefore, the user must exercise care in applying instructions given in this manual. If specific information not in this manual is required, contact the factory at Muskegon, Michigan 49443.

THE INFORMATION CONTAINED IN THIS MANUAL IS FOR INFORMATIONAL PURPOSES ONLY AND LIFT-TECH INTERNATIONAL DOES NOT WARRANT OR OTHERWISE GUARANTEE (IMPLIEDLY OR EXPRESSLY) ANYTHING OTHER THAN THE COMPONENTS THAT LIFT-TECH MANUFACTURES AND ASSUMES NO LEGAL RESPONSIBILITY (INCLUDING, BUT NOT LIMITED TO CONSEQUENTIAL DAMAGES) FOR INFORMATION CONTAINED IN THIS MANUAL.

NOTICE: Information contained in this book is subject to change without notice.

INDEX		Page
SECTION I	GENERAL DESCRIPTION	
Paragraph	1-1 General	3
Paragraph	1-2 Basic Construction	3
Paragraph	1-3 Differences Between Models	3
SECTION II	INSTALLATION	
Paragraph	2-1 General	3
Paragraph	2-2 Suspending Hoist	3
Paragraph	2-3 Connecting Hoist to Electrical Service	4
Paragraph	2-4 Pre-Operation Checks	4
SECTION III	OPERATION	
Paragraph	3-1 General	6
Paragraph	3-2 Push Button Operation	6
Paragraph	3-3 Overload Clutch Operation (Optional)	6
Paragraph	3-4 Operating Precautions	6
SECTION IV	LUBRICATION	
Paragraph	4-1 General	7
Paragraph	4-2 Change Gear Case Oil	7
Paragraph	4-3 Lubricate Hoist Cable	7
Paragraph	4-4 Lubricate Upper Sheave and Lower Block Assembly	7
Paragraph	4-5 Lubricate Limit Stop Lever	8
Paragraph	4-6 Lubricate Limit Switch	8
SECTION V	INSPECTION AND PREVENTIVE MAINTENANCE	
Paragraph	5-1 General	8
Paragraph	5-2 Inspect Lower Block	9
Paragraph	5-3 Inspect Upper Block and Hoist Suspension	9
Paragraph	5-4 Inspect Electrical Controls	9
Paragraph	5-5 Inspect Motor Brake	11
Paragraph	5-6 Inspect Mechanical Load Brake, Gearing and Overload Clutch (Optional)	11
Paragraph	5-7 Inspect Rope Drum and Shaft	13
Paragraph	5-8 Rope Inspection, Maintenance and Replacement	14
Paragraph	5-9 Rope Reeving	14
Paragraph	5-10 Testing Hoist and Overload Clutch (Optional)	17
SECTION VI	TROUBLE SHOOTING CHART	19-20
SECTION VII	ADJUSTMENTS	
Paragraph	7-1 Mechanical Load Brake	21
Paragraph	7-2 Motor Brake	21
Paragraph	7-3 Block Operated Limit Switch	21
Paragraph	7-4 Screw- Type Limit Switch	21
Paragraph	7-5 Overload Clutch Adjustment	22
SECTION VIII	WIRING DIAGRAMS	
SECTION IX	PARTS LIST	
Paragraph	9-1 General	22
Paragraph	9-2 List of Parts Illustrations	22

No part of this document may be reproduced in any form, in an electronic retrieval system or otherwise, without prior written permission of the publisher.

SECTION I — GENERAL DESCRIPTION

1-1. GENERAL. SHAW-BOX electric hoists are precision built wire rope and drum type hoists which are made in five rated load sizes (1/2, 1, 2, 3 and 5 tons) with various lifts, lifting speeds and electrical service. Equipped with an integrally welded mounting lug, they are designed to be rigidly attached to an overhead structure or mounted on SHAW-BOX rigid mount trolleys for operation on runway beams. On certain models optional base mounting or other supporting methods may be obtained. For full information apply to factory at Muskegon, Michigan 49443.

NOTICE

SHAW-BOX hoists are available with an optional built-in mechanical overload clutch. Hoists having this device are identified with words WEIGHT WATCHER on the hoist.

The WEIGHT WATCHER overload clutch permits operation of your hoist within its rated load and helps prevent lifting of excessive loads which could cause permanent deformation of a properly maintained hoist or trolley.

1-2. BASIC CONSTRUCTION. All models are of the same basic construction and consist of a rugged welded steel frame which houses a lifting drum and serves as the suspension for carrying the entire hoist load. A mounting lug, for attaching the hoist to a trolley or overhead support, is located on top of the frame. An aluminum alloy gearcase and cover, attached to one end of frame, houses a three-reduction gear train and a mechanical load brake. An electric driving motor with disc-type motor brake is located beside the frame, face mounted on the back of the gearcase. Electrical system components, located on the end of the frame (opposite gearcase end) and enclosed by a steel cover, control operation and rotating direction of a driving motor. A hoisting rope and an enclosed lower block assembly are used for lifting loads. An upper limit stop is used to limit travel of the lower block in the raising direction, to protect hoist from damage. A push button control station, for operating the hoist, is suspended from the electrical compartment.

1-3. DIFFERENCES BETWEEN MODELS. The main differences between models are in rope reeving and frame size as described below.

a. Rope Reeving. There are four types of rope reeving used: Two parts of rope single reeved, four parts of rope single reeved, six parts of rope single reeved and two parts of rope double reeved. Single reeved hoists have one end of the rope anchored to the drum, whereas, double reeved hoists have both ends anchored to the drum. On single reeved models, the lower block travels sideways as rope winds on drum, double reeved models offer true vertical lift. For illustrations, refer to Section V, paragraph 5-9, "Rope Reeving" instructions.

b. Frame Size. Length of frame furnished is dependent on hoist capacity and lift. Four frame lengths are used; short frame, long frame, first and second extensions. Short frame hoists have a rope drum flange to flange distance of approximately 9-3/4", whereas this distance on a long frame hoist is approximately 16-3/4". First extension frame hoists have a flange to flange distance of 22-15/16" and second extensions have 35-3/8".

c. Motor Brake. Hoists are equipped with a disc brake mounted on the motor end bell and operated by a short stroke solenoid. This brake requires periodic adjustment.

SECTION II — INSTALLATION

2-1. GENERAL. SHAW-BOX electric hoists are lubricated and tested before being shipped from the factory. To place hoist in service, attach to a suitable suspension (paragraph 2-2), connect to electrical service (paragraph 2-3) and perform pre-operation tests and checks (paragraph 2-4).

WARNING

Before attempting installation of hoist or trolley, the main power switch must be locked in the open position (off).

2-2. SUSPENDING HOIST. The hoist may be suspended in a fixed location servicing only the area directly below the hoist (Lug Mounted) or the hoist may be attached to a moveable trolley or trolleys which in turn may be mounted on an I-beam attached to a building or crane, servicing a larger area (Trolley Mounted).

WARNING

DO NOT use small holes for attaching this hoist unless rated load on lower block is 1 (one) ton (2000 lbs.) or less.

a. Lug Mounted hoists attach to adequate supports welded or bolted to a building or other structure. The supporting structure must have sufficient strength with appropriate safety factor, to support the weight of the hoist and rated load as well as other loads to which the supporting structure may be subjected.

WARNING

Design and installation of hoist support shall be performed only by qualified persons.

Steel angles or plates used to suspend hoist should be spaced as close to the hoist suspension lug as possible. Mounting bolts or threaded studs, attaching hoist to mounting structure, shall have a diameter not less than recommended by manufacturer and material equivalent to ASTM A 325. Make certain that mounting bolts or studs are long enough so that the threads do not engage the mounting support and that mounting bolts or studs are secured with nuts and lockwashers, self-locking nuts or cross bolting, if unthreaded.

b. Trolley Mounted hoists are attached to moveable trolleys. If the hoist is mounted on an existing trolley, a qualified person shall determine that the trolley and its supporting structure are adequate to support the rated load and weight of the hoist. Hoist/trolley units may be shipped from the factory with trolley packaged separately. If the trolley can be installed directly over the end of the supporting beam, assemble trolley to hoist. Be certain that the spacing between wheel flanges, after assembly, is 1/4" greater than exact width of beam flange. (See Figure 2-1 below and instruction sheet furnished with trolley.) Using proper equipment, carefully lift trolley and hoist and install on end of beam.

For trolleys which are to be mounted along the span of a beam not having open ends, measure exact width of beam flange and assemble trolley to hoist so that spacing between wheel flanges is 1/4" (see Figure 2-1) greater than beam width (3/8" if beam has curves). This is accomplished by rearranging the spacer washers on the bolts connecting trolley side plates to hoist mounting lug. If trolley is shipped separate from hoist, see instruction sheets furnished with trolley for orientation and installation.

When proper spacing has been determined, loosen mounting nuts (item 1, Figure 2-1) to allow trolley wheels to spread far enough to pass over edges of beam flange. (Some installations may require complete removal of one trolley side plate.) Using adequate equipment, carefully lift the hoist and trolley so the wheel treads will rest on the lower beam flange. Replace side plate and washers if removed for installation. Replace suspension stud nuts.

⚠ WARNING

Be certain that electrical power supply is OFF and locked in the open position before attempting any electrical connections to the hoist. This equipment must be effectively grounded according to the National Electric Code, or other applicable codes. If the grounding method used is through the trolley wheels, then each section of track must be grounded by metal-to-metal connection to the building ground. Certain environments may prevent proper grounding by this means. In this case a separate grounding conductor should be provided.

a. Follow National, State and Local Electrical Codes when providing electrical service to the hoist.

⚠ CAUTION

Recheck spacer washers to make certain that the number of washers between the side plate and hoist suspension lug are equal, and also the number on the outside of each side plate are equal. The suspension stud nuts should only be snugged up on the lockwashers until a load has been applied on the hook. A partial load (approx. 25% rated hoist load) placed on the hook will properly seat hoist in the trolley. Tighten suspension stud nuts only after hoist has been properly seated in the trolley.

⚠ CAUTION

208/230/460V single speed motors are reconnectable at the motor. See motor nameplate. Transformer may be reconnected for 200/230/460/575V. See transformer. Check with wiring diagram to make certain that motor, transformer and brake leads are properly connected.

b. Make electrical connections using the appropriate wiring diagrams furnished with the hoist. All electrical connections, including connections to collectors or power cord, shall be made only by qualified journeymen electricians.

⚠ WARNING

Mounting of the hoist/trolley unit on the monorail and final pre-operation inspection shall be performed only by qualified persons properly supervised.

⚠ WARNING

The green wire provided in the power supply cable (when furnished) is a grounding wire and must be connected to a proper ground.

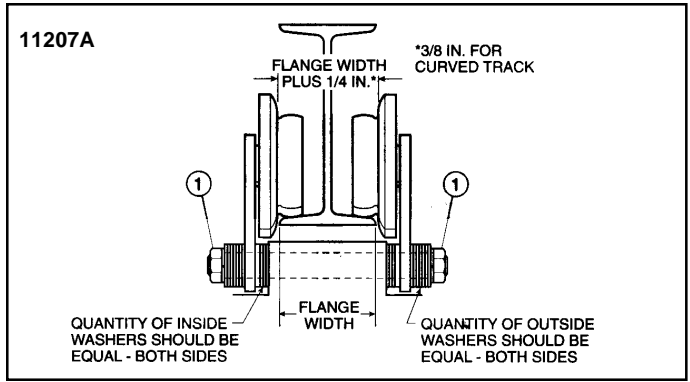


Figure 2-1. Sectional View of Trolley showing proper wheel and washer spacing

c. When trolley is shipped separate from hoist, see special instructions furnished with trolley for orientation and installation.

2-4. PRE-OPERATION CHECKS

a. Check Oil Level and Grease Fittings. The gearcase has been filled with oil to the proper level and grease points for lower and upper sheaves have been lubricated at the factory. However, this should be checked before operating hoist. Check oil level by removing oil level plug with hoist in a level position. Oil level should be at the bottom edge of the plug hole. If not, add oil as specified in Section IV. Grease fittings in lower and upper sheave pins should show evidence of grease.

2-3. CONNECTING HOIST TO ELECTRICAL SERVICE. Electrical service to the hoist may be power cable or a guarded system having sliding shoe collectors

⚠ CAUTION

Overfilling of the gearcase may result in the excess fluid being expelled through the breather.

b. Check Push Button Operation and Phasing.

⚠WARNING

On three phase hoists it is possible to have “Reverse Phasing” causing the lower block to lower when the ↑ button is depressed. When this condition exists, the automatic limit stop switch is inoperative and hoist operation will be dangerous.

To properly check the phase of the hoist, follow the steps below:

- (1) With “POWER OFF” operate all the push buttons and determine that they do not bind or stick in any position

⚠WARNING

If any push button binds or sticks in any position — DO NOT TURN POWER ON — determine the cause and correct the malfunction before operating.

- (2) Temporarily connect hoist to power source.
- (3) Operate ↑ button briefly to determine direction of hook travel.
- (4) If hook raises, phase is correct. Turn power off and make temporary connections permanent.
- (5) If hook lowers, hoist is “Reverse Phased”. TURN POWER OFF and correct by interchanging any two leads at power source connection. Do not change internal wiring of hoist.

c. Check Limit Switch Operation.

- (1) A block operated upper limit stop (Figure 2-2) is furnished as standard equipment. This limit stop is factory set to stop lower block in its high position and guard against over-travel and possible damage to hoist. (Note mounting position of floating lever for 3 and 5 ton hoists.) No adjustment can be made. Limit switch operation should be tested when hoist is installed. Move hook to a low position by depressing push button marked ↓. Now depress button marked ↑ to raise hook. While hook is traveling upward, manually (or with an extension pole) raise limit stop mechanism (Figure 2-2).

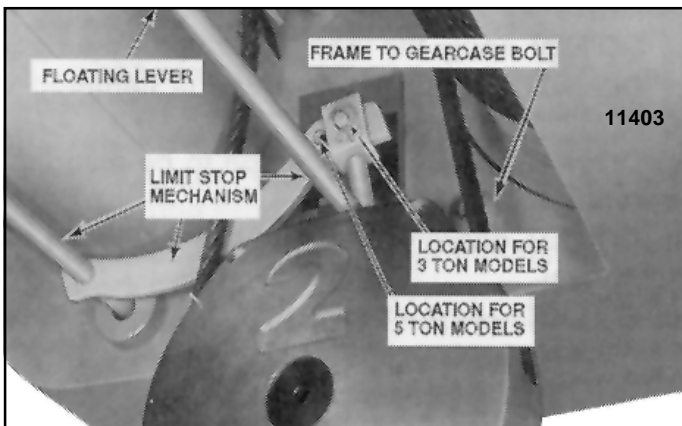


Figure 2-2. Limit Stop Mechanism Being Tripped By Lower Block

When floating rod is raised, stop switch is actuated first and then the reversing switch is actuated (Figure 2-3). Stop switch stops hoist. Reversing switch lowers hook block in case of floating rod over-travel. If limit switch does not function in this manner, refer to trouble shooting chart Section VI for possible remedy.

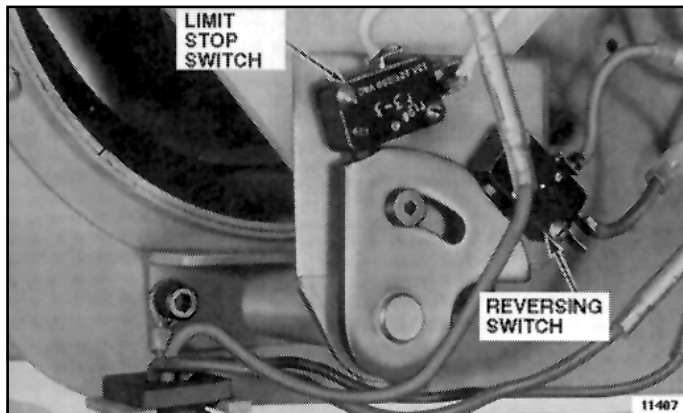


Figure 2-3. Electrical Compartment Cover Removed Showing Limit Switch and Reversing Switch Arrangement

⚠WARNING

Do not attempt to make above test with hook in a high position near hoist.

- (2) A screw-type upper and lower limit switch is provided optionally when both upper and lower limit stops are required (Figure 7-2). This switch is adjustable and must be adjusted, at time hoist is installed, to desired high and low limits of lower block travel. Refer to Section VII.

d. Check Lower Block and Hoisting Cable. Depress ↓ push button and run lower block to its lowest position. No less than two wraps shall remain on the drum with the loaded hook in its lowest position, unless hoist is equipped with a lower limit switch in which case no less than one and one half wraps shall remain on the drum. Also check to see that lower block and rope does not twist excessively. If it does twist to the extent that two ropes rub against each other, disengage rope from the frame anchor and twist rope four or five turns in a direction opposite to that which the block turns. Reconnect rope to anchor (Figure 2-4), holding firmly to eliminate rope twisting back to its original position. Operate hoist up and down a few times. If lower block still rotates, repeat process until twisting is corrected.

e. Lubricate Hoisting Cable. For longer cable life, it is recommended that the cable be lubricated at time of installation by applying a Chain and Cable Fluid as outlined in Section IV, paragraph 4-3.

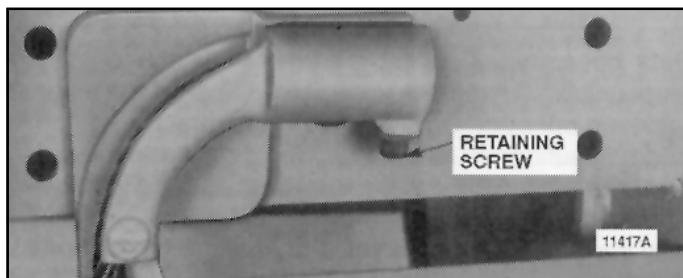


Figure 2-4. Rope End Anchor

SECTION III — OPERATION

3-1. GENERAL. Operation of Series 800 SHAW-BOX electric hoists is controlled by a convenient pendant push button station. With it, the hoist can be controlled to give fast lifting and lowering; or controlled to lift or lower load in small increments, providing accurate spotting. The pushbutton station has a built-in interlock to prevent depressing opposing buttons simultaneously.

When first using hoist, break-in by operating under lighter loads to full travel before applying maximum load.

3-2. PUSH BUTTON OPERATION

- a. Depress push button marked ↑ to raise load.
- b. Depress push button marked ↓ to lower load.
- c. Jogging the push button will give “hairline” load movement. The quickness of the depressing motion will determine the amount of movement. Excessive use of this “Jogging” feature will cause premature burning of contact tips and motor overheating.
- d. On two-speed hoists, partial depression of button operates the hoist at slow speed; depressing button completely operates the hoist at fast speed.

3-3. OVERLOAD CLUTCH OPERATION (Optional). The overload clutch, when furnished with the hoist, is factory preset and tested so that the hoist will lift its full rated load but will refuse to lift overloads which could cause deformation or weakening of your hoist. If the load to be lifted exceeds the clutch setting, the hoist motor will continue to run when the ↑ button is depressed and rotate the load brake gear without lifting the load. Whenever this slipping occurs, immediately release the ↑ button to prevent overheating of the clutch friction surfaces and the hoist motor.

NOTICE

Always know load to be lifted. Lift-Tech does not recommend lifting loads greater than the rated load of your hoist.

3-4. OPERATING PRECAUTIONS.

WARNING

Equipment covered herein is not designed or suitable as a power source for lifting or lowering persons.

Safe operation of an overhead hoist is the operator’s responsibility. Listed below are some basic rules that can make an operator aware of dangerous practices to avoid and precautions to take for his own safety and the safety of others. Observance of these rules in addition to frequent examinations and periodic inspection of the equipment may save injury to personnel and damage to equipment.

- a. **DO read ANSI B30.16 Safety Standard for Overhead Hoists and the Operation, Service and Parts Manual.**
- b. **DO be familiar with hoist operating controls, procedures and warnings.**
- c. **DO make sure hook travel is in the same direction as shown on controls.**
- d. **DO make sure hoist limit switches function properly.**

- e. **DO maintain firm footing when operating a hoist.**
- f. **DO make sure that load slings or other approved single attachments are properly sized and seated in the hook saddle.**
- g. **DO make sure that the hook latch, is closed and not supporting any part of the load.**
- h. **DO make sure that load is free to move and will clear all obstructions.**
- i. **DO take up slack carefully, check load balance, lift a few inches and check load holding action before continuing.**
- j. **DO avoid swinging of load or load hook.**
- k. **DO make sure that all persons stay clear of the suspended load.**
- l. **DO warn personnel of an approaching load.**
- m. **DO protect wire rope from weld splatter or other damaging contaminants.**
- n. **DO promptly report any malfunction, unusual performance, or damage of the hoist.**
- o. **DO inspect hoist regularly, replace damaged or worn parts, and keep appropriate records of maintenance.**
- p. **DO use the hoist manufacturer’s recommended parts when repairing a hoist.**
- q. **DO use hook latches.**
- r. **DO apply lubricant to wire rope as recommended.**
- s. **DO NOT lift more than rated load.**
- t. **DO NOT use a damaged hoist or a hoist that is not working correctly.**
- u. **DO NOT use the hoist with twisted, kinked, damaged or worn wire rope.**
- v. **DO NOT lift a load unless wire rope is properly seated in its drum groove(s).**
- w. **DO NOT use wire rope as a sling or wrap rope around the load.**
- x. **DO NOT lift a load if any binding prevents equal loading on all supporting ropes.**
- y. **DO NOT apply the load to the tip of the hook.**
- z. **DO NOT operate unless load is centered under hoist.**
- aa. **DO NOT allow your attention to be diverted from operating the hoist.**
- ab. **DO NOT operate the hoist beyond limits of wire rope travel.**
- ac. **DO NOT use limit switches as routine operating stops unless recommended. They are emergency devices only.**
- ad. **DO NOT use hoist to lift, support or transport people.**
- ae. **DO NOT lift loads over people.**
- af. **DO NOT leave a suspended load unattended unless specific precautions have been taken.**
- ag. **DO NOT allow sharp contact between two hoists or between hoist and obstructions.**
- ah. **DO NOT allow the rope or hook to be used as a ground for welding.**
- ai. **DO NOT allow the rope or hook to be touched by a live welding electrode.**
- aj. **DO NOT remove or obscure the warnings on the hoist.**
- ak. **DO NOT adjust or repair a hoist unless qualified to perform hoist maintenance.**
- al. **DO NOT attempt to lengthen the wire rope or repair damaged wire rope.**

- am. **DO NOT** allow personnel not physically fit or properly qualified to operate hoist.
- an. **DO NOT** operate hoist unless limit switch is operating properly.
- ao. **DO** be sure there is no twist in wire rope.
- ap. **DO** avoid operating hoist when hook is not centered under hoist. Avoid side pulls and swinging of load or load hook when traveling hoist.

⚠ WARNING
DO NOT operate hoist with the hoisting rope out of the drum grooves. Such operation may result in the rope breaking and dropping the load which can cause damage to equipment and injury to operator or other personnel. Hoist rope will remain in the drum grooves during operation under normal operating conditions, however, slack or kinked rope, excessive side pulls, swinging or jerking of load, or similar abuse, may cause the rope to leave the grooves.

- aq. **DO** operate hoist within recommended duty cycle and do not “jog” unnecessarily.
- ar. **DO** conduct regular visual inspections for signs of damage or wear.
- as. **DO NOT** operate hoist with hooks that have opened up. See Figure 5-1.
- at. **DO** provide supporting structure or anchoring means that has a load rating at least equal to that of the hoist.
- au. **DO NOT** use hoists in locations that will not allow operator movement to be free of the load.
- av. **DO**, when starting to lift or pull, move the load a few inches at which time the hoist should be checked for proper load holding action. The operation shall be continued only after the operator is assured that the hoist is operating properly.
- aw. **DO NOT** leave a loaded hoist unattended at the end of a work shift or for extended periods during the work shift. Where operations are such that this condition cannot be avoided the operator must be assured that the condition does not create a hazard to personnel or property.
- ax. **DO NOT** use the hoist load limiting device to measure the load.
- ay. **DO NOT** operate hoist unless hook moves in the same direction as indicated on the pushbutton. If opposite direction occurs, see pre-operation checks, Paragraph 2-4.b.
- az. **Observe** recommended inspection and maintenance procedures.
- ba. **DO** use common sense and best judgement whenever operating a hoist. Observe American National Standard Safety standard, ANSI B30.16, latest issue.

SECTION IV — LUBRICATION

4-1. GENERAL. The lubrication services outlined in paragraphs 4-2 thru 4-6 should be performed at regular intervals to maintain top hoist performance and ensure long life. Intervals of at least six (6) months, coinciding with spring and fall seasons, are

recommended. The reason for this is, on hoists installed out-of-doors and in unheated areas, a “cold test” lubricant is required in cold (below freezing) climates making seasonal changes necessary.

4-2. CHANGE GEARCASE OIL. (Figure 4-1)

- a. Remove oil drain plug from bottom of gearcase and drain out oil. (Two drain plugs, one on front and one on back of gearcase.)
- b. Flush out housing using petroleum solvent. Reinstall drain plug.
- c. Refill thru oil hole cover to proper level (bottom of oil level plug hole) using 10 pints of Automatic Transmission Fluid, DEXRON III Type, suitable for all temperature ranges.

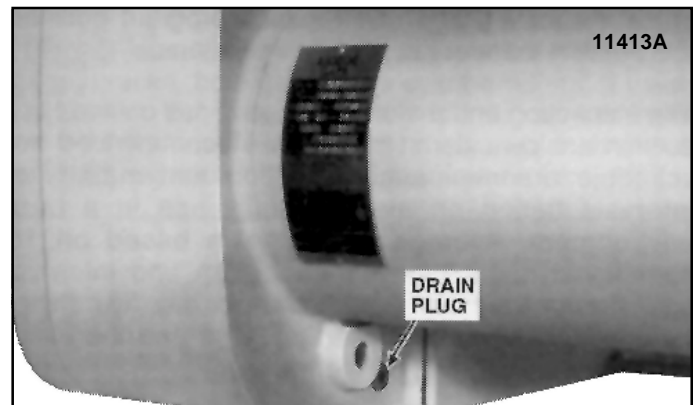


Figure 4-1. View Showing Location of One Oil Drain Plug

4-3. LUBRICATE HOISTING CABLE. Hoists are shipped from the factory without an exterior coating on hoisting cable. It is recommended, where conditions permit, that the cable be thoroughly coated at installation and kept well lubricated with LUBRIPLATE Chain and Cable Fluid, or equal, suitable for all temperature ranges.

4-4. LUBRICATE UPPER SHEAVE AND LOWER BLOCK ASSEMBLY.

- a. All hoists have grease fittings located in ends of sheave pins. Apply (*) NLGI No. 2 grease for operating temperatures from +50°F to +125°F. For colder temperatures, (-20°F to +50°F) use NLGI No. 1 grease.
- b. Apply a few drops of S.A.E. No. 50 oil to hook thrust bearings.
(* National Lubricating Grease Institute.

4-5. LUBRICATE LIMIT STOP LEVER.

- a. Apply a few drops of S.A.E. No. 50 oil to pivot points of limit rod.
- b. Apply a few drops of S.A.E. No. 50 oil to shaft bearing at rear of electrical compartment.

4-6. LUBRICATE LIMIT SWITCH. Provide a light film of NLGI No. 2 grease on bevel gear of limit switch.

SECTION V INSPECTION AND PREVENTIVE MAINTENANCE

5-1. GENERAL. SHAW-BOX, Series 800, hoists are inspected and tested at the factory. Regular in service inspection and preventive maintenance programs not only help reduce overall maintenance costs but may also prevent serious shutdowns by forewarning of problems that could cause these shutdowns. Regular inspections, periodic minor adjustments, regular cleaning and lubrication and replacement of worn parts can help preserve good performance and operation of your hoist.

Many factors influence the inspection and preventive maintenance program required for your hoist. Frequency and severity of service and material handled, local environmental conditions and various applicable codes are some of the factors that the user must consider to adjust inspection and maintenance program outlined in this section to meet his specific conditions.

The inspection and maintenance services outlined in this section are considered minimum. Recommended in the schedule are minimum inspection and maintenance intervals based on average daily use in a normal environment. Average daily use is based on 1000 operational hours per year maximum and intermittent operation of the hoist eight hours per day, five days per week with a maximum 40% "on" time and the average loading not exceeding 65% of rated load.

Environmental conditions in which the hoist operates are also important considerations for the user when adjusting hoist inspection and maintenance programs to local conditions. Frequency of inspection and maintenance must be increased if hoist is subjected to severe atmospheric environmental conditions, such as corrosive vapors, extreme heat or cold, cement or dust and other airborne contaminants. The user should carefully consider all environmental conditions and adjust frequency and degree of maintenance for his local conditions. Consult Lift-Tech Field Service Department for advice for unusual environmental conditions.

Various codes also regulate inspection and maintenance programs. Attention must be given to applicable Federal Standards, OSHA regulations, National Standards, state and local codes which may include mandatory rules relating to hoist inspection and maintenance. The user should become familiar with all applicable codes for his area and be guided accordingly.

Listed on the Recommended Inspection and Maintenance Schedule are inspection frequencies and requirements. Perform these inspections regularly as scheduled and additional inspections as may be required for activity, service and environment of your hoist. The hoist operator must be responsible for determining the operating conditions and severity of service.

Inspection Schedule and Maintenance Report Form.

Shown on page 10 of this manual is a recommended Inspection Schedule and Maintenance Report form which lists various components of the hoist. The form also includes trolley components, runway components, and miscellaneous items. This form is suggested as a guide for written inspection reports. Inspections are recommended each month and should be performed thoroughly enough to inform the hoist user of deficiencies for any item listed. This form does not supersede the Inspection and Maintenance Schedule listed below but may

be used to record scheduled inspection and maintenance services required.

The user should revise the inspection interval, add additional units or provide a similar form to suit particular conditions which may exist. However, written, dated and signed inspection reports should be maintained particularly on critical items, such as hoist hooks, hoisting ropes, sheaves, drums and brakes. Periodic review of old inspection reports can point out service life of hoist components, forecasting need for adjustment, repair or replacement of these components.

As a matter of expedience, appointed maintenance personnel inspecting the hoist can also take care of minor adjustments, repairs and cleaning, where required. Note the column on Inspection Schedule and Maintenance Report form headed Corrective Action and Notes. When corrective action is made during inspection, note condition of part or unit as inspected in appropriate Condition column with a check mark (✓). Note "during inspection" corrective action taken and date in space provided. In this manner, items requiring further attention will be checked (✓) without showing corrective action. This will advise the designated person responsible for hoist operation and safety, who reviews the reports, that deficiencies exist. The designated person will check all deficiencies as listed and reexamine or otherwise determine whether they constitute a safety

WARNING

Deficiencies may be hazardous to personnel and equipment. Do not operate a hoist having deficiencies unless a designated qualified person has determined that these deficiencies DO NOT constitute a safety hazard.

Written, dated and signed inspection reports for many items are mandatory under OSHA regulations, and many state safety codes. It is strongly recommended that the Inspection Schedule and Maintenance Report, shown herein, be completed by a qualified person designated with the responsibility for hoist operation and safety or an inspector appointed by this person.

Inspection records can point out the service life of hoist components and help forecast the need for adjustments, repairs and ordering of replacement parts. File and review these reports after each inspection.

WARNING

Do not operate a hoist having unusual vibrations, sounds or other conditions. Danger may be present that the hoist operator cannot see. Determine and correct cause of unusual conditions and make certain the hoist can be operated safely. Be certain to disconnect power to the hoist whenever electrical cover is removed.

5-2. INSPECT LOWER BLOCK

a. Check lubrication of all parts. If the thrust bearing is not equipped with a grease fitting, lubricate with SAE No. 50 oil. Also lubricate the shank of the hook which passes through the lower block body.

- b. Check each sheave to ensure rope groove is smooth and free from burrs, or other surface defects.
- c. Check each sheave for freedom of rotation; replace bearings if defective.
- d. Make certain that dowel pin, holding the hook nut to the hook, is securely in position.
- e. If hook is equipped with a safety latch or rotational lock, check to determine that they are in good operating condition.
- f. Check throat opening of hook. (Refer to Figure 5-1.) It is recommended that upon receipt of the hoist a measurement be made and recorded of the hook throat opening. OSHA Standards require that the hook be replaced if the throat opening exceeds 15 percent of the original opening, or if the hook is twisted more than 10 degrees from the unbent plane. A gage block, properly identified to the hoist, similar to the one shown in Figure 5-1, is suggested to be made for each hook for use in these measurements.

Note: Hooks and hook openings shown are based on hooks normally furnished with standard hoists. For dimensions of hooks having a special size, shape or material, consult the Muskegon, Michigan factory. For hooks with certain kinds of safety latches it may be necessary to remove latch to measure hook opening.

- g. Hooks showing signs of cracks must be replaced. Hooks should be inspected at least once per year using dye penetrants, magnetic particle or other suitable crack detecting methods.

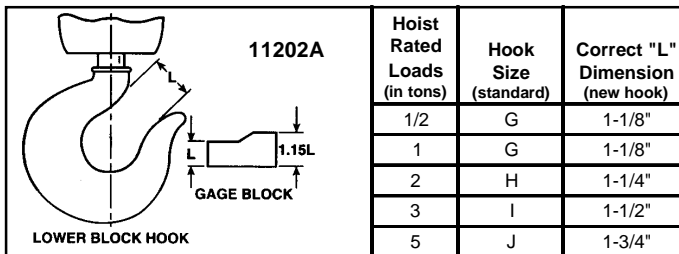


Figure 5-1. Proper Hook Opening (shown with latch removed for clarity)

- h. Check wear of the hook, especially at the saddle and replace if badly worn.

5-3. INSPECT UPPER BLOCK AND HOIST SUSPENSION

- a. Check upper block sheaves (when hoist is so equipped) for wear, damage and freedom of rotation. If sheaves do not rotate freely, disassemble block and inspect bearings. Replace worn or damaged bearings, washers, pins or sheaves.
- b. Make certain that all sheaves, bearings and hanger pins are free of foreign material and properly lubricated. Bearings without grease fittings are lubricated for the life of the bearing and require no further lubrication. After inspection, lubricate all upper block lubrication fittings.
- c. Make certain that rope guide pins are not bent, loose or otherwise distorted; guide pins must have close clearance to sheave flange to keep rope in sheave grooves.

- d. Check hoist suspension bolts on lug suspended hoists; make certain that bolts are secure, properly tightened and free from damage.

- e. Inspect suspension lug at top of hoist frame for damage, cracks, hole elongation or other signs of wear. On all hoists, the suspension lug is integral with hoist frame and the entire frame must be replaced when suspension lug is damaged and requires replacement.

⚠ WARNING

Do not operate a hoist having worn or damaged suspension bolts.

- f. Reinstall all parts following procedure in reverse of disassembly.

5-4. INSPECT ELECTRICAL CONTROLS. Arrangement of electrical control equipment varies with the type of control, physical space and the optional control features ordered with the hoist.

- a. Disconnect electrical power to hoist, remove electrical compartment cover (Figure 9-1, Ref. No. 29) and inspect wiring and terminals. Terminals should be securely crimped to wires and electrical insulation should be sound. Terminal screws should be tight.

- b. Check condition of contactor assembly, transformer, and limit stop and reverse switches.

INSPECTION SCHEDULE AND MAINTENANCE REPORT

HOIST SERIAL NO. (MFGRS) _____ **CUSTOMER CRANE IDENTITY NO.** _____
RATED LOAD _____ **LOCATION IN PLANT** _____
TYPE _____ **THIS INSPECTION IS** MONTHLY ANNUAL
VOLTAGE _____ **SEMI-ANNUAL**
INSPECTED BY: _____ **DATE** _____

COMPONENT, UNIT OR PART and location		* Recommended Inspection Interval		CONDITION (Check column best indicating condition when part or unit is inspected. Use note column to the right if condition is not listed below.)							CORRECTIVE ACTION NOTES		
		Monthly	Semi-Annual	Annual	Good	Adjustment Required	Repair Required (Loose Parts or Wires)	Replacement Required (Worn or Damaged)	Lubrication Required (Low Oil or Grease, Rust or Corrosion)	Cleaning or Painting Required			
HOIST	Motor	<input type="radio"/>									(Indicate corrective action taken during inspection and note date. For corrective action to be done after inspection, a designated person must determine that the existing deficiency does not constitute a safety hazard before allowing unit to operate. When corrective action is completed, describe and note date in this column.)	DATE	
	Motor Brake	<input type="radio"/>											
	Mechanical Load Brake	<input type="radio"/>											
	Overload Clutch	<input type="radio"/>											
	Couplings	<input type="radio"/>											
	Gears, Shafts & Bearings	<input type="radio"/>											
	Upper Block	<input type="radio"/>											
	Lower Block	<input type="radio"/>											
	Hook & Throat Opening	<input checked="" type="radio"/>		X									Record Hook Throat Opening
	Hoist Rope	<input checked="" type="radio"/>											
	Rope Drum	<input type="radio"/>											
	Guards	<input type="radio"/>											
	Limit Switch	<input type="radio"/>											
	CONTROL STATION OR PUSHBUTTON	Pushbutton	<input type="radio"/>										
Wiring		<input type="radio"/>											
TROLLEY	Motor	<input type="radio"/>											
	Brake (when so equipped)	<input type="radio"/>											
	Couplings	<input type="radio"/>											
	Gears, Shafts & Bearings	<input type="radio"/>											
	Frame			<input type="radio"/>									
	Wheels		<input type="radio"/>										
	Bumpers		<input type="radio"/>										
	Guards		<input type="radio"/>										
	Conductors	<input type="radio"/>											
	Collectors	<input type="radio"/>											
RESISTORS	Hoist		<input type="radio"/>										
	Trolley		<input type="radio"/>										
RUNWAYS	Monorail Joints		<input type="radio"/>										
	Monorail		<input type="radio"/>										
	Main Conductors	<input type="radio"/>											
	Main Collectors	<input type="radio"/>											
MISC.	General Condition		<input type="radio"/>										
	Load Attachment Chains	<input checked="" type="radio"/>											
	Rope Slings & Connections	<input checked="" type="radio"/>											
	Change Gearcase Lub.			<input type="radio"/>									
	Grounding Faults		<input type="radio"/>										

* See text for DAILY & WEEKLY REQUIREMENTS. ● SIGNED & DATED REPORT REQUIRED – OSHA.
 ○ INSPECTION INTERVAL. X MAGNETIC PARTICLE OR EQUIVALENT EXAMINATION REQUIRED.

Typical Inspection Schedule and Maintenance Report form.
 User must adjust inspection interval and components to suit his individual conditions and usage.

TIME INTERVAL	INSPECTION OR MAINTENANCE
Daily or start of each shift (Visual)	Check operation of all functional mechanisms including limit switch operation, brakes and control. Check hoist cable for kinks, abrasions, corrosion or broken wires or evidence of improper spooling on drum. Inspect hooks, upper and lower blocks, and all load bearing components for damage.
1 Month	* HOIST CABLE - Inspect and lubricate per paragraph 5-8.
1 - 3 Months	* ELECTRICAL CONTROLS - Inspect per paragraph 5-4. Check hoist gearcase oil level - add oil as required per paragraph 4-2.
6 Months	* LOWER BLOCK - Inspect per paragraph 5-2. UPPER BLOCK - Inspect per paragraph 5-3.
Annually	Motor brake and actuating mechanisms. Inspect and adjust per paragraph 5-5. * Inspect hooks with suitable crack detecting procedures per paragraph 5-2. Drain and refill hoist gearcase per paragraph 4-2.
6 Months or 500 - 750 hours "on" time	Inspect electrical controls per paragraph 5-4. Change hoist gearcase oil — Fill with oil per paragraph 4-2. Lubricate hoist cable per paragraph 4-3. Lubricate * upper and lower hook block per paragraph 4-4. Lubricate limit stop lever per paragraph 4-5. If a screw type limit switch is furnished, add a light film of NLGI No. 2 grease to bevel gear.
5 Years elapsed time or 5000 hours "on" time	Complete inspection, disassembly, and maintenance required. It is recommended * that your SHAW-BOX Repair Station be contacted for this service.

*Perform services described by paragraph indicated.

Figure 5-2. Inspection and Maintenance Schedule

5-5. INSPECT MOTOR BRAKE. See Figure 9-4.

- a. Remove acorn nuts holding brake cover and remove brake cover.
- b. Remove brake mounting plate screws and lift brake assembly off.
- c. Check braking surfaces for wear and scoring. Replace badly worn or scored parts.
- d. Reinstall parts in reverse of disassembly.
- e. Adjust brake as explained in Section VII.

5-6. INSPECT MECHANICAL LOAD BRAKE, GEARING AND OVERLOAD CLUTCH (optional)

- a. The mechanical load brake and gearing may be inspected and serviced with hoist suspended. To do so, remove lower block and wire rope, drain oil from gearcase, remove 12 hex head bolts and lockwashers holding gearcase cover, and pull cover from gearcase (Figure 5-3).

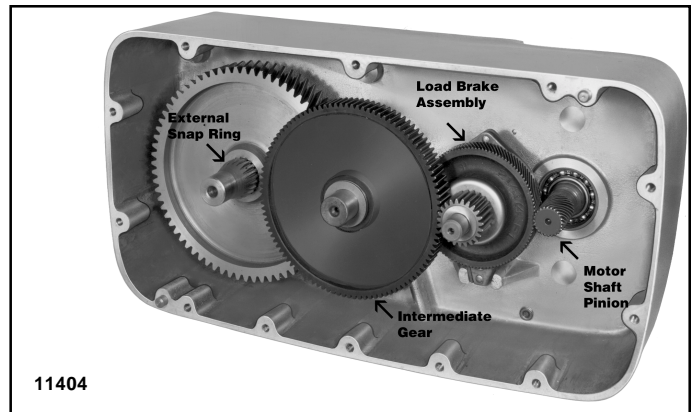


Figure 5-3. View of Gearcase – Cover Removed

- b. To inspect gearing, pull out intermediate gear and pinion assembly and roller thrust bearings (Figure 5-4), and load brake assembly (Figure 5-5). Do not remove drum gear unless visual inspection indicates replacement is necessary.
- c. Inspect gears and pinions for signs of tooth wear and damage. If replacement of any parts appears necessary, disassemble drum gear, intermediate gear and pinion assembly, and load brake assembly as directed on following page.

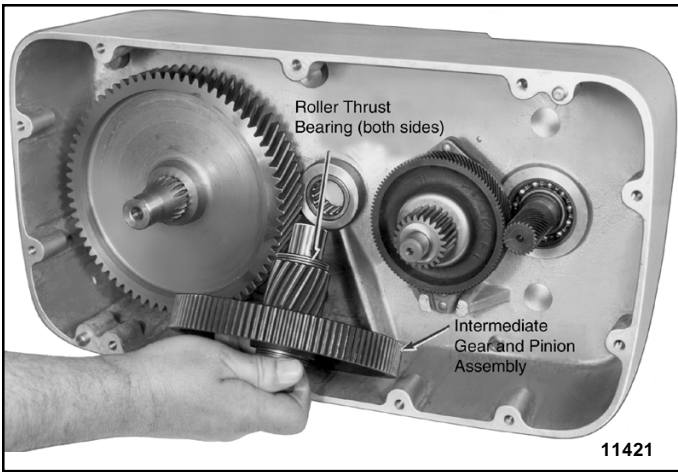


Figure 5-4. Removing Intermediate Gear and Pinion Assembly

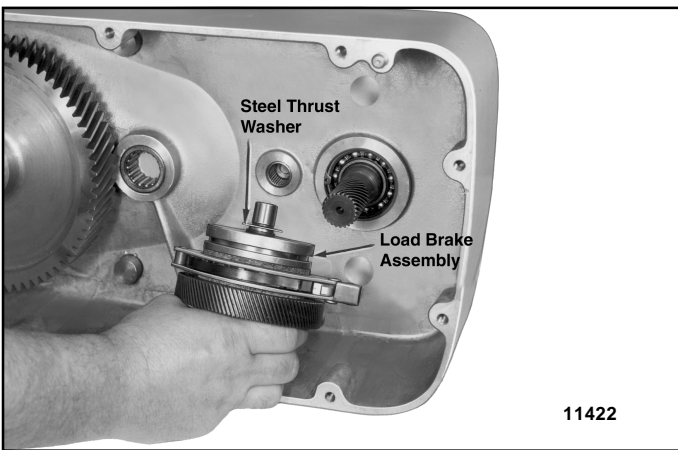


Figure 5-5. Removed Load Brake Assembly

d. To disassemble drum gear, remove external snap ring from splined shaft, using heavy-duty snap ring pliers, and pull off gear.

e. To disassemble intermediate gear and pinion, press pinion shaft from gear using an arbor press.

f. It is recommended that load brake assembly be returned to an Authorized Repair Station for inspection and repair. If it is necessary that you make your own inspection and repair, instructions below must be followed:

(1) Place load brake assembly, flange up, in a vise equipped with brass or copper jaw plates to protect pinion gear teeth. Remove snap ring from end of load brake shaft (Figure 5-6).

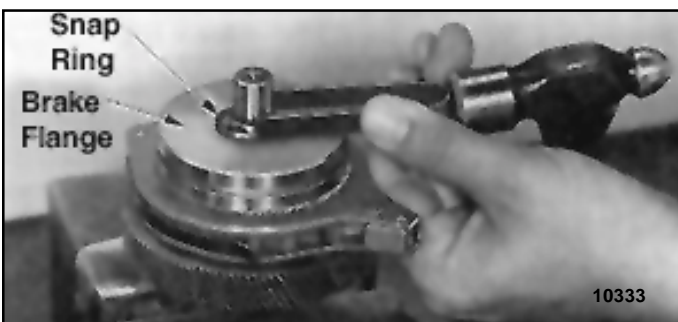


Figure 5-6. Remove Snap Ring From Load Brake Shaft

(2) Using a puller tool, remove brake flange from shaft. A groove is provided around outer diameter for this purpose. See Figure 5-7. Remove key from shaft and lift off 2 friction discs, and the pawl and ratchet assembly (Figure 5-8).

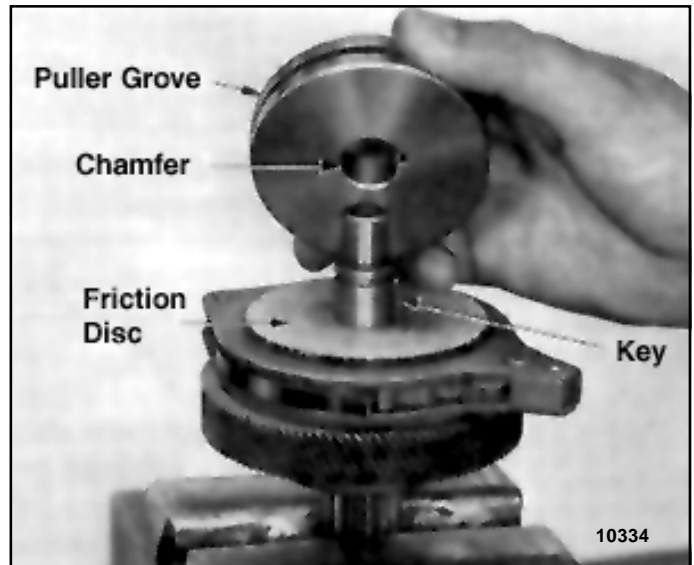


Figure 5-7. View Showing Load Brake Flange Removed

(3) Remove load brake gear. If replacement of spring, spring retainer or cam is necessary, press off shaft (Figure 5-9).

(4) The load brake pawl and ratchet is a riveted assembly and is not to be disassembled.

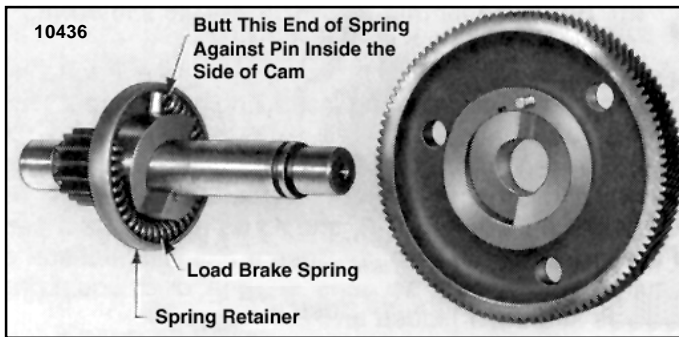
(5) Clean all parts thoroughly and inspect for wear and damage. Replace all parts that are excessively worn or damaged. Hard surface or glazed friction discs should be replaced.



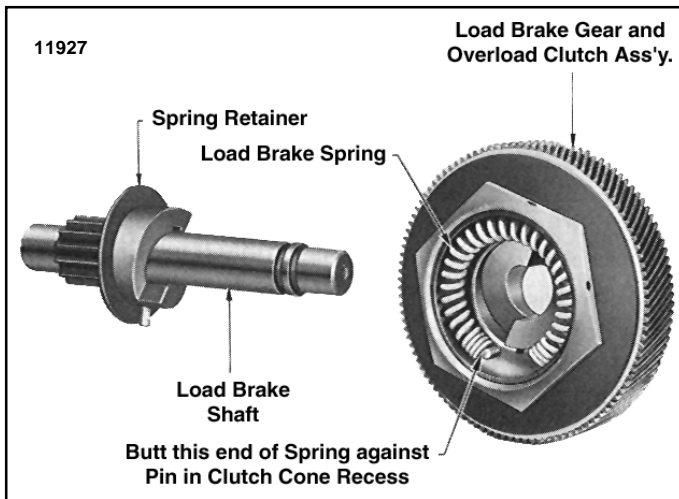
Figure 5-8. Removing Pawl and Ratchet Assembly From Load Brake Shaft

g. Reassemble gearing and load brake parts following reverse procedure of disassembly. In assembling load brake, observe assembly steps (1) through (4).

- (1) Before installing spring in its retainer (Figure 5-9), apply a good grade of ball bearing grease to inside of retainer. Spring must be positioned exactly as illustrated, butted against pin at side of cam.



Load Brake - Standard



Load Brake - Overload Clutch

Figure 5-9. Load Brake Gear Removed From Load Brake Showing Load Brake Spring

- (2) When installing pawl and ratchet assembly on load brake shaft, be certain that teeth on ratchet face are in the same direction as shown in Figure 5-8. The ratchet assembly should rotate freely when turned counterclockwise and the pawl should engage ratchet teeth when unit is turned clockwise.
- (3) When installing brake flange, position it with chamfer facing friction disc (Figure 5-7).

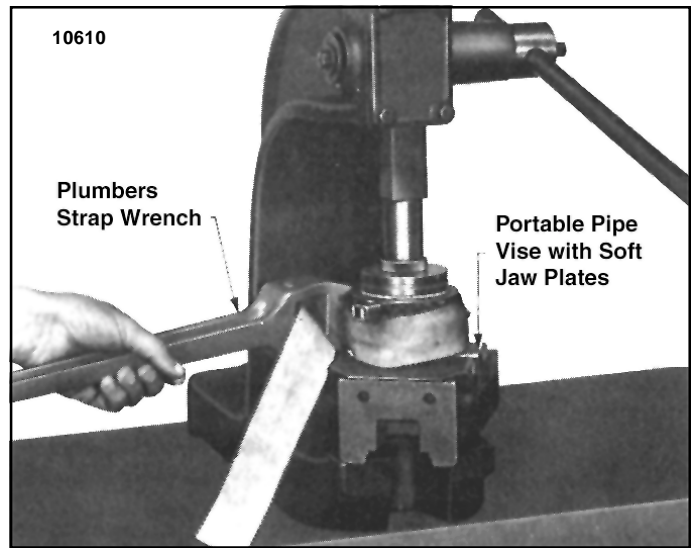


Figure 5-10. Winding Load Brake Gear using a Strap Wrench to set up Load Brake Spring

- (4) The brake spring must be pre-loaded at assembly to a torque of from 10 to 14 lb.-ft. This is accomplished using a plumber's strap wrench to wind (rotate) load brake gear to set up spring (Figure 5-10) while pressing brake flange into place using an arbor press. Clamp pinion end of shaft into a portable vise to keep brake from rotating in press. Use brass or copper jaw plates on vise to protect pinion gear teeth. Wind gear counterclockwise (viewing brake from flange end) with strap wrench and press down on flange until snap ring groove in shaft is exposed allowing snap ring to be installed. Use extreme care not to over wind spring as yield will result and final spring torque will be reduced. Do not wind gear beyond point necessary to install snap ring in groove.

h. Install gearing and load brake assembly in gearcase in reverse order of disassembly. Be certain roller thrust bearings are installed at both ends of intermediate gear shaft as shown in Figure 5-4 and that thrust washers are properly installed at both ends of load brake shaft as noted below:

- (1) A steel thrust washer with 5/8" I.D. must be installed on the brake flange end (end opposite pinion) of load brake as shown in Figure 5-5.
- (2) A bronze thrust washer with a lug on one side goes on pinion end of load brake shaft and it must be installed so that its lug engages the special slot located on the spot face surrounding the load brake bearing bore inside gearcase cover. Use heavy grease to hold it in place on cover as cover is installed.

On hoists with 18 or 20 tooth load brake pinion, an 11/16" I.D. steel thrust washer is installed between pinion and bronze thrust washer.

j. At completion of reassembly of gearing and load brake in gearcase, refill gearcase to proper level using correct grade of oil, as outlined in Section IV — LUBRICATION.

k. For hoists equipped with an overload clutch (optional) which has been functioning properly, visually inspect clutch adjusting nut and spring washer for signs of damage or looseness. With a small hex allen wrench, make certain two set screws in

adjusting nut are tight. DO NOT TURN ADJUSTING NUT OR DISASSEMBLE CLUTCH. If spring washer, adjusting nut or gear is loose or damaged, or the clutch did not function properly before disassembly of hoist for inspection, consult the nearest SHAW-BOX Authorized Repair Station for repair or adjustment.

5-7. INSPECT ROPE DRUM AND SHAFT

a. To remove drum, remove wire rope, electrical compartment cover and electrical panel assembly (Figure 9-1) and gearing and load brake assembly (paragraph 5-6).

b. Remove four hex socket head bolts securing gearcase to cover. Three bolts are accessible from inside frame (Figure 2-2, Section II) and the fourth is accessible from electrical end of frame thru special access hole using a socket hex key wrench with an extension (Figure 5-11). With bolts removed, pry assembled gearcase and motor from frame. Exercise caution so that gearcase and motor assembly does not fall as it comes free of frame. This disassembly operation is not recommended with hoist suspended. Drum will remain in frame and can be lifted from drum shaft. To remove shaft, remove internal retaining ring from bearing bore in frame.

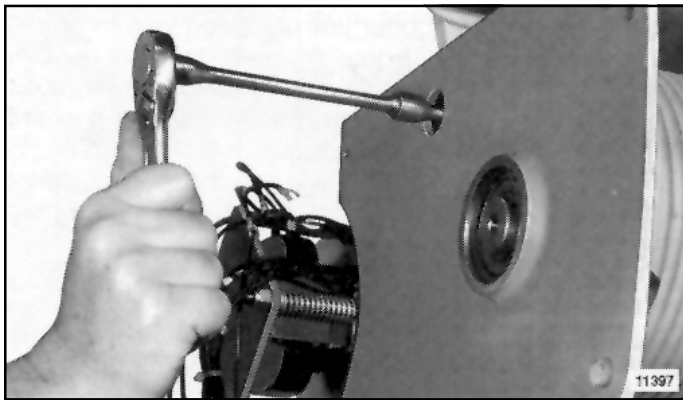


Figure 5-11. Removing Bolt Securing Gearcase to Frame

c. Check parts for wear and damage. Replace drum if there are any signs of cracks or other damage.

5-8. ROPE INSPECTION, MAINTENANCE AND REPLACEMENT

▲WARNING

Wire rope improperly handled or abused can create a SAFETY HAZARD. Read and comply with inspection, maintenance and replacement information given herein.

a. Inspection. Wire rope on your hoist is one of the most important components requiring frequent inspection and maintenance. All wire ropes will eventually deteriorate to a point where they are not safe and will require replacement.

WIRE ROPE SHOULD BE THOROUGHLY INSPECTED AT REGULAR MONTHLY INTERVALS BY AN AUTHORIZED PERSON AND A DETERMINATION MADE WHEN FURTHER USE OF THE ROPE WOULD CONSTITUTE A SAFETY HAZARD. Each inspection should include a written, dated and signed report of rope condition. Reports should be filed and reviewed each month and any rope deterioration carefully noted.

Inspections revealing but not limited to the following conditions should cause the inspector to question remaining strength of rope and consider replacement:

- (1) Twelve randomly distributed broken wires in one rope lay or four broken wires in one strand.
- (2) Wear of one-third of the original diameter of outside individual wires.
- (3) Kinking, crushing or bird caging.
- (4) Heat damage from any cause.
- (5) Reductions from nominal diameter of more than 1/64" for 3/16", 1/4", and 5/16" diameter rope.
- (6) Rope corrosion, internal or external.
- (7) Effects from improper lubrication.
- (8) Rope idle for month or more due to shutdown.

Special attention should be exercised when inspecting rope normally hidden during inspecting procedures.

b. Maintenance. Keep rope well lubricated to help reduce internal friction and prevent corrosion. Lubricant, as described in paragraph 4-3, should be applied as a part of the regular maintenance program. Special attention is required to lubricate sections of rope over equalizing sheaves and other hidden areas.

Avoid dragging ropes in dirt or around sharp objects which will scrape, nick, crush or induce sharp bends in the rope.

c. Replacement. When recommended by an authorized inspector, the rope should be replaced. Replacement rope assemblies are shipped from the factory carefully coiled to prevent damage by kinking. Care must be taken to avoid twisting or kinking when uncoiling and handling during reeving.

Before replacing rope, check condition of grooves in sheaves and drums to determine if they are excessively worn.

▲WARNING

Use only factory approved rope with swagged wire rope sockets.

When first using the hoist after rope replacement, break-in rope by operating under lighter loads to full travel before applying maximum load.

5-9. ROPE REEVING

a. General. Before unreeling rope from a coil or reel, be sure floor is clean. Dirt picked up by the rope can cause excessive wear and abrasion. Uncoil the rope by rolling the coil or reel along the floor; or, place reel on a stand with a shaft thru the center of reel so rope can be pulled straight out with the reel rotating.

▲CAUTION

It is imperative that the rope reel or coil rotates as rope unwinds. If coil or reel does not rotate, the wire will be twisted as it is uncoiled and kinking will result. A kinked rope may be damaged and unsafe for maximum service.

Before removing the old rope, refer to reeving diagrams, (Figures 5-12, 5-14, 5-15 and 5-17). Face the rope drum on your hoist from the side which the rope comes off drum. To assist with rereiving your hoist, select the reeving diagram for your hoist. Note the description (such as 2 part double reeved, Figure 5-17) and refer to the paragraph below with the same description which describes rereiving procedure.

b. Removing old rope - for all reevings.

- (1) Lower the bottom block to a scaffold located 6 to 7 feet below hoist to relieve tension on wire rope. (Bottom block may be lowered to floor if desired; however, to handle less weight and for ease of rereiving adequate scaffold below the hoist is recommended.)
- (2) Remove bottom block sheave guard.
- (3) Remove key plates from both sides of sheave pin and slide sheave pin from bottom block.
- (4) Lift out sheaves from the top of the bottom block and remove wire rope.
- (5) Remove key plates or snap rings from upper block sheave(s) and slide out upper block sheave pins, releasing upper block sheaves. Remove wire rope from sheaves.
- (6) Make certain all personnel are clear of hoist and operate hoist ↓ to completely unwind all wire rope from drum. Stop hoist so drum anchor slot(s) is accessible. Remove live rope and socket(s) from drum.
- (7) TURN OFF POWER TO HOIST
- (8) Remove the bolt and lockwasher in the end of the rope anchor fitting. Remove rope from slot in top of anchor.

c. Installing new rope.

 WARNING
<p>Winding rope on rope drums with power can be hazardous. Keep hands safe distance from drum, wear gloves and use extreme care when winding rope.</p>

SINGLE REEVED HOISTS

Stretch new cable on floor in one continuous length. Make certain there is no twist in rope.

- (1) Place one end of rope in rope drum anchor slot. Be sure end fitting is properly seated.
- (2) With all personnel clear of hoist - TURN ON POWER.
- (3) Operate hoist ↑, guiding new rope into drum grooves with gloved hand, until the following lengths remain unwound:
 - (a) 2 part single reeved - about 14'-0".
 - (b) 4 part single reeved - about 28'-0".
 - (c) 6 part single reeved - about 42'-0".
- (4) Proceed with reeving as described in appropriate paragraph below and the reeving diagram for your hoist.

DOUBLE REEVED HOISTS

Stretch new cable on floor in one continuous length. Make certain there are no twists in rope.

- (1) Pull far end of rope toward end of rope nearest hoist, until both ends are even and a loop is formed. Place fittings on both ends of rope in anchor slots on rope drum. Be sure end fittings are properly seated.
- (2) With all personnel clear of hoist - TURN ON POWER.
- (3) Operate hoist ↑ guiding rope into grooves at both ends of drum, until the distance from the drum to the loop is - about 28' for 2 part double reeved.
- (4) Proceed with reeving as described in appropriate paragraph below and the reeving diagram for your hoist.

d. Reeving - 2 part single.

See Figure 5-12 for diagram.

See Figure 9-11 for block parts.

With new rope installed on the drum as described in paragraph 5-9c single reeved above, proceed with rereiving following steps below:

- (1) Pass other end of rope thru bottom opening of hoist, between floating limit rod and motor, and attach rope to cast dead end anchor fitting. A slot is located at top of fitting to accept cable. Reinstall bolt and lockwasher in end of anchor fitting to lock rope compression fitting in place.
- (2) Grasp loop, formed after installing end anchor, and place bottom block sheave in loop. Lower sheave into bottom block and insert sheave pin. Replace key plates and bolts holding sheave pin in place.
- (3) Replace sheave guard. Make certain rope is not twisted. Should the two parts of rope tend to wind around each other, remove cable from anchor slot and untwist cable. Reattach the cable anchor.
- (4) Lubricate cable per paragraph 4-3.

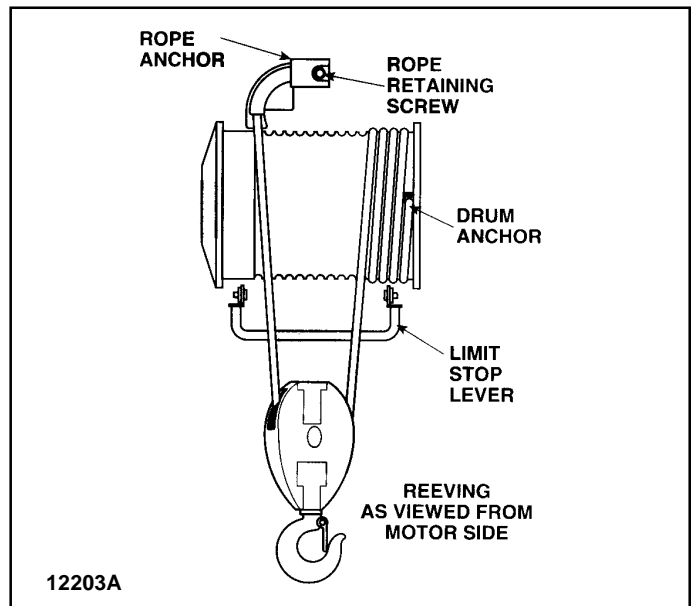


Figure 5-12. Hoist Reeving - Two Part Single

e. Reeving - 4 part single.

See Figure 5-14 for diagram.

See Figure 9-13 for block parts.

With new rope installed on the drum as described in paragraph 5-9c single reeved above, proceed with reeving following steps below:

- (1) Grasp the cable near the middle (about 14'-0") of the unwound end and form a loop. Place upper sheave in this loop. Slide upper sheave with cable into sheave pocket. Slide upper sheave with cable into sheave pocket.
- (2) Insert sheave pin into sheave. Replace key plates and bolts to hold sheave pin in place.

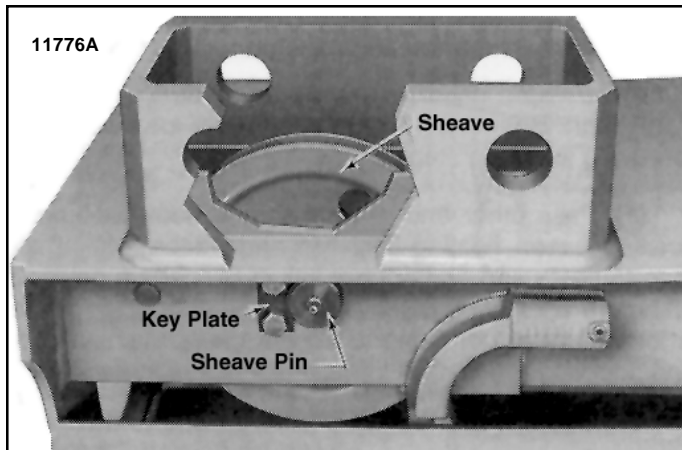


Figure 5-13. Upper Sheave Installed
(Typical 3 and 5 Ton)

- (3) Pass free end of rope thru bottom opening of hoist between floating limit rod and motor, and insert rope in anchor fitting at hoist frame. Be certain power is off before attempting to place rope in anchor fitting. With end fitting properly seated in anchor, replace bolt and lockwasher in end of socket. Two loops have now been formed for bottom block sheaves.

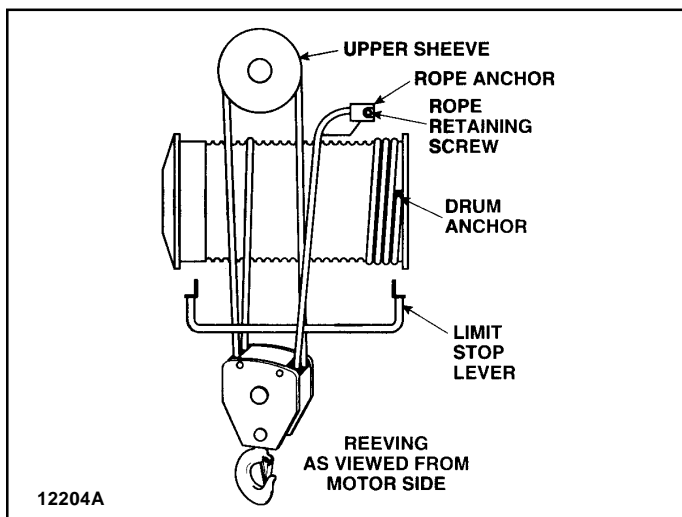


Figure 5-14. Hoist Reeving - Four Part Single

- (4) Place one sheave in each loop. Install one sheave with cable in bottom block, partially insert sheave pin to hold sheave in place. **Note:** Some blocks have spacer washers between sheaves. Be certain that washers are installed between sheaves, when shown on parts illustration. Install second sheave with cable into bottom block. Slide sheave pin through sheave. Replace key plates and bolts securing sheave pin.

- (5) Replace sheave guard.

- (6) Lubricate cable per paragraph 4-3.

f. Reeving - 6 part single.

See Figure 5-15 for diagram.

See Figure 9-13 for block parts.

With new rope installed on the drum as described in paragraph 5-9c single reeved above, proceed with reeving following steps below:

- (1) Grasp cable at a point one-third (approx. 14'0") the distance hanging below the rope drum and form a loop. Place one upper sheave in this loop. Slide upper sheave with cable into sheave pocket; partially insert sheave pin to hold sheave in place.
- (2) Repeat (1) above and install second upper sheave with rope. Insert sheave pin and install key plates and bolts to secure sheave pin.

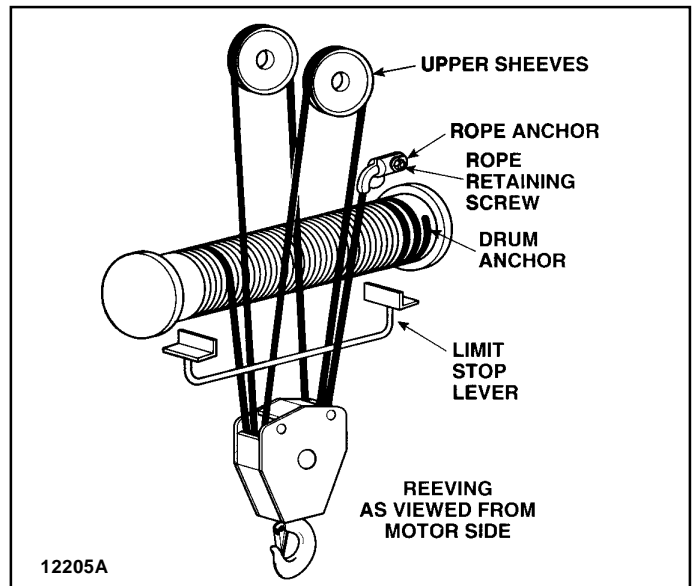


Figure 5-15. Hoist Reeving - Six Part Single

- (3) Pass free end of rope thru bottom opening of hoist between floating limit rod and motor and insert in rope anchor fitting at hoist frame. Be certain power is off before attempting to place rope in anchor fitting. With end fitting properly seated in anchor, replace bolt and lockwasher in end of socket. Three loops have now been formed for bottom block sheaves.

- (4) Place sheave in each loop. Install one sheave with cable in bottom block; partially insert sheave pin to hold sheave in place. **Note:** Be certain that washers are installed between sheaves, as shown on parts illustration.

- (5) Repeat step 4 for remaining bottom block sheaves. Install sheave pin through sheaves. Replace key plates and bolts securing sheave pin.
- (6) Replace sheave guard.
- (7) Lubricate cable per paragraph 4-3.

g. Reeving - 2 part double.

See Figure 5-17 for diagram.

See Figure 9-12 for block parts.

With new rope installed on the drum as described in paragraph 5-9c double reeved above, proceed with rereiving following steps.

- (1) Form loops in the two ropes coming from rope drum. Place these loops into bottom block pockets and slide pipe or rod through sheave pin holes. Note position of ropes passing limit stop bar.
- (2) Partially insert upper block sheave pin in opening and install one spacer washer. Raise remaining rope up to hoist, form a loop and place upper sheave in this loop.

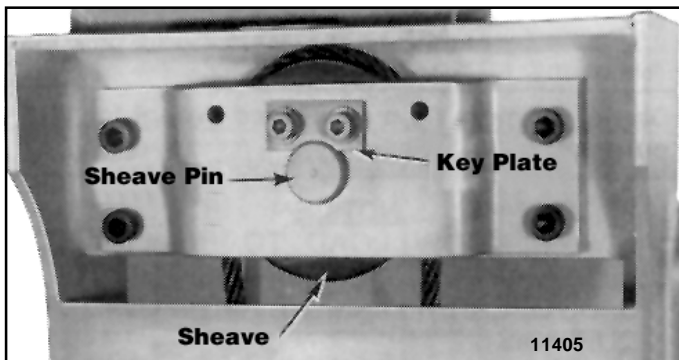


Figure 5-16. Upper Sheave Installed (Typical)

- (3) Place sheave with rope into upper sheave pocket and slide pin partially thru sheave. Install remaining washer and push pin thru side plates. Install snap ring on each end of pin to secure pin in place.

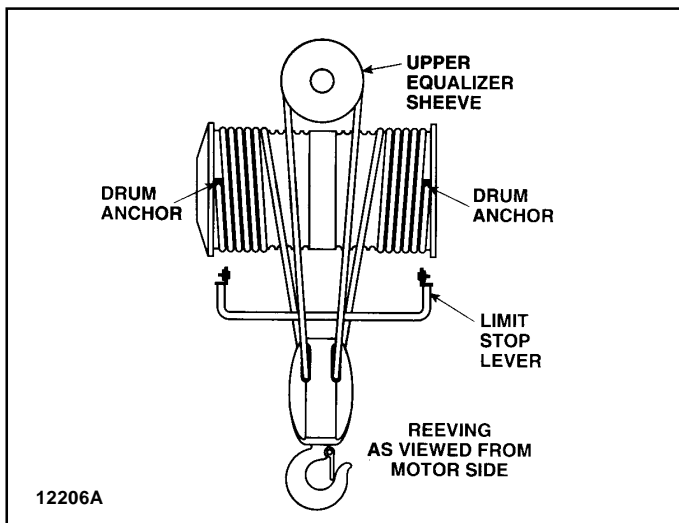


Figure 5-17. Hoist Reeving - Two Part Double

- (1) To remove rope twist in single reeved hoists.
 - (a) Observe direction block tends to rotate.
 - (b) Lower the block to a low position and turn off power.
 - (c) Rotate rope near the anchor end several turns in a direction tending to correct block rotation. This rotates rope end fitting in the anchor.
 - (d) Turn on power; raise and lower the block several times to feed the correcting twist in the rope through the reeving.
 - (e) If block still tends to twist, repeat the above procedure until block rotation is corrected.
- (2) To remove rope twist in double reeved hoists.
 - (a) Observe direction block tends to rotate.
 - (b) Lower the bottom block unspooling rope from rope drum until only one quarter (1/4) turn remains to rope end anchors in drum.
 - (c) Rotate rope near ends entering drum in a direction tending to correct block rotation. This rotates rope end fittings in the drum.
 - (d) Turn on power; raise and lower the block several times to feed the correcting twist in the rope through the reeving.
 - (e) If block still tends to twist, repeat the above procedure until block rotation is corrected.

5-10. TESTING HOIST AND OVERLOAD CLUTCH (optional)

a. General. Before placing hoist in service or after disassembly and reassembly, hoist should be tested. To test suspend hoist from an overhead supporting member of sufficient strength to support the weight of the hoist and the rated load. Hoists having overload clutches, require an overhead supporting structure capable of supporting with appropriate safety factor, a load equal to 200 percent rated load and the weight of the hoist. Connect hoist to power supply as shown on hoist nameplate and perform the checks listed in b and c below.

b. Check hoist as outlined in PRE-OPERATION CHECKS, Section II, paragraph 2-4.

c. Check hoist with capacity load.

- (1) Attach rated load to lower hook.
- (2) Depress \uparrow push button and raise load. When push button is released, hoist should immediately stop and hold load at that level.
- (3) Depress \downarrow push button, lower load a short distance and release button. Hoist should stop immediately and hold load at that level.

Note: If load drifts downward slowly in step 2 or 3 above, motor brake requires adjustment - see MOTOR BRAKE ADJUSTMENT - Section VII - paragraph 7-2.

- (4) Insert lower sheave pin into bottom block removing pipe as sheave pin is inserted. Be certain washers are replaced as shown on parts illustration. With sheave pin installed, replace key plates and bolts to secure sheave pin.

SECTION VI - TROUBLE SHOOTING

Trouble	Probable Cause	Remedy
6-1. Hoist Will Not Operate	<ul style="list-style-type: none"> a. No power to hoist b. Wrong voltage c. Loose or broken wire connections in hoist electrical system d. Contactor assembly not functioning e. No control voltage f. Motor burned out 	<ul style="list-style-type: none"> a. Check switches, circuit breakers or fuses and connections in power supply lines. Check power collectors. b. Check voltage required on motor data plate against power supply. c. Shut off power supply, remove electrical cover on hoist and check wiring connections. Also check connections in push button station and limit switches. d. See that necessary jumper wires are properly installed. Verify that the contactor armatures are free to move. If binding occurs, replace contactor. Check for burned out contactor coils. e. Check transformer fuse. If blown, check for grounding and/or shorts in the push button station. Check the transformer coil for signs of overheating. Replace transformer if burned out. Verify the transformer secondary is the same voltage as the coils to which it is connected. f. Replace motor. Check input power supply. Check hoist motor connections.
6-2. Hook Moves in Wrong Direction	<ul style="list-style-type: none"> a. Reverse phasing on three-phase hoists b. Hoist wired wrong 	<ul style="list-style-type: none"> a. Interchange any two power supply line leads. Refer to Section II, paragraph 2-4 b. b. Check wiring connections with appropriate wiring diagram.
6-3. Hook Will Raise But Not Lower	<ul style="list-style-type: none"> a. Lower electrical circuit open b. Contactor assembly not functioning c. Down, push button inoperative 	<ul style="list-style-type: none"> a. Check for loose connections. See that necessary jumper wires are properly installed on contactor. b. See that necessary jumper wires are properly installed. Verify that the contactor armatures are free to move. If binding occurs, replace contactor. Check for burned out contactor coils. c. Check push button contacts and wires.
6-4. Hook Will Lower But Not Raise	<ul style="list-style-type: none"> a. Excessive load b. Hoist electrical circuit open c. Contactor assembly not functioning d. Up, push button inoperative 	<ul style="list-style-type: none"> a. Reduce loading to rated load of hoist, as shown on nameplate. b. Check for loose connections. See that necessary jumper wires are properly installed on contactor. Check limit switch mounting and connections. c. See that necessary jumper wires are properly installed. Verify that the contactor armatures are free to move. If binding occurs, replace contactor. Check for burned out contactor coils. d. Check push button contacts and wires.

SECTION VI - TROUBLE SHOOTING (Continued)

Trouble	Probable Cause	Remedy
6-5. Hoist Will Not Lift Rated Load	<ul style="list-style-type: none"> a. Low voltage b. Overload Clutch not properly adjusted 	<ul style="list-style-type: none"> a. See that power supply current is same voltage listed on motor data plate. Check hoist motor connections. Check size of power supply lines. b. See Section VII, paragraph 7-5.
6-6. Hoist Motor Overheats	<ul style="list-style-type: none"> a. Excessive load b. Excessive duty-cycle c. Wrong voltage or frequency d. Defective motor or worn bearings in hoist frame e. Overload Clutch slipping without lifting load 	<ul style="list-style-type: none"> a. Reduce loading to rated load of hoist, shown on nameplate. b. Reduce frequency of lifts or amount of jogging. c. Check current rating on motor data plate against power supply. Check hoist motor connections. d. Disassemble hoist and inspect for defective, worn or damaged parts. e. See Section VII, paragraph 7-5.
6-7. Load Drifts Excessively When Hoist Is Stopped	<ul style="list-style-type: none"> a. Excessive load b. Motor brake not holding c. Load brake not holding 	<ul style="list-style-type: none"> a. Reduce loading to rated load, as shown on nameplate. b. With No Load, check hoist for drift. If drifting is excessive, inspect motor brake (Section V, paragraph 5-5) and adjust as outlined in Section VII, paragraph 7-2. c. (1) After determining that the motor brake is working properly, attach rated load to hook and operate hoist. If the load accelerates during lowering, the load brake is not functioning properly. See Section V, paragraph 5-6 for replacing worn or damaged parts. (2) If load brake checks O.K., magnetic motor brake needs adjustment (see b. above).
6-8. Hoist Operates Intermittently	<ul style="list-style-type: none"> a. Collectors make poor contact b. Loose connections 	<ul style="list-style-type: none"> a. Check collectors for free movement of spring arm, weak spring or electrical connections. b. Check all wiring for loose connections.

SECTION VII - ADJUSTMENTS

7-1. MECHANICAL LOAD BRAKE. The mechanical load brake on Series 800 SHAW-BOX hoists is a pawl and ratchet "Weston" type automatic brake. The brake is not adjustable and requires only periodic inspection and occasional replacement of the friction washers.

7-2. MOTOR BRAKE. Instructions for adjusting the brake are inside the brake cover and are repeated below. Check brake adjustment after the first 30 days of service and regularly thereafter during the six-month inspection procedure. Two versions of the motor brake occur in this manual.

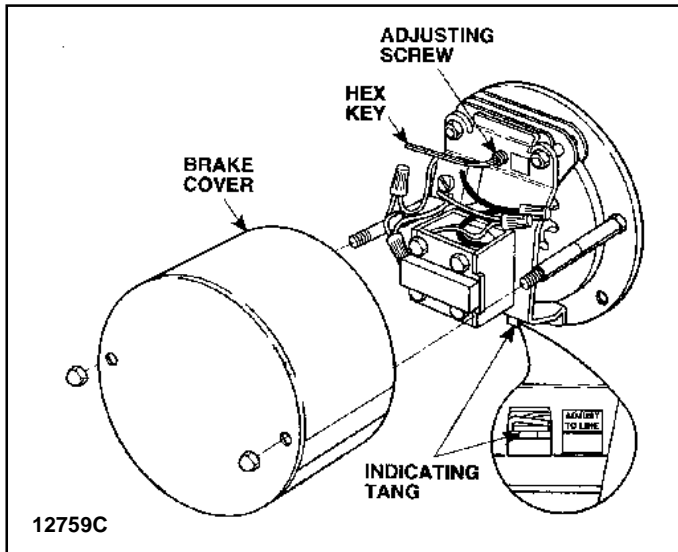


Figure 7-1A. Motor Brake - Later Version

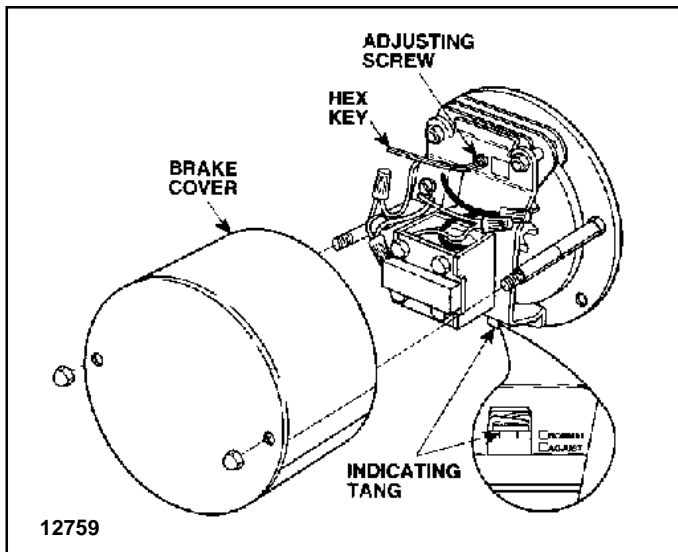


Figure 7-1. Motor Brake - Early Version

a. Examine position of indicating tang located below the solenoid coil (Figure 7-1 or 7-1A).

b. On the later version of the brake (Figure 7-1A), if the tang is below the line by more than 1/8", the brake should be adjusted to bring the top of the tang back up alongside the line on the adjust label.

c. On the early version of the brake (Figure 7-1), if the tang is below the midway position of the two adjustment points shown on the brake, the brake should be adjusted to bring the tang back up alongside the NORMAL position on the brake.

d. Remove the hex key (1/8" size) from the holster on the cover mounting stud and carefully turn the ADJUSTING SCREW (located above the solenoid coil) clockwise. The indicating tang will move a large distance for a small turn of the adjusting screw, therefore turn the screw no more than one quarter turn before checking adjustment.

e. After adjustment operate the brake by hand to assure brake disc running clearance. The outboard brake pad should separate from the brake disc by approximately .010".

f. Replace hex key in holster.

g. Replace brake cover.

7-3. BLOCK OPERATED LIMIT SWITCH. The block operated upper limit stop, furnished as standard equipment, is nonadjustable and designed to stop lower block at its high point of travel to guard against over-travel with possible damage to hoist. When high point is reached, limit stop switch automatically stops hook travel. If hook drifts upward slightly after stop switch is actuated, a reversing switch will close and automatically reverse direction of hook travel.

7-4. SCREW-TYPE LIMIT SWITCH. This limit switch has a rotary screw driven by a gear reduction which is coupled to the end of the drum shaft. Adjustment discs operate the contacts of separate switches; one for the hoisting circuit and one for the lowering circuit. The switch assembly must be wired in accordance with the appropriate wiring diagram, which is packaged with hoist. Adjustment of this screw-type limit switch is accomplished as follows: (Refer to Figure 7-2).

⚠ WARNING

Before attempting actual adjustments, be certain main power switch is **OFF** and locked in the open position.

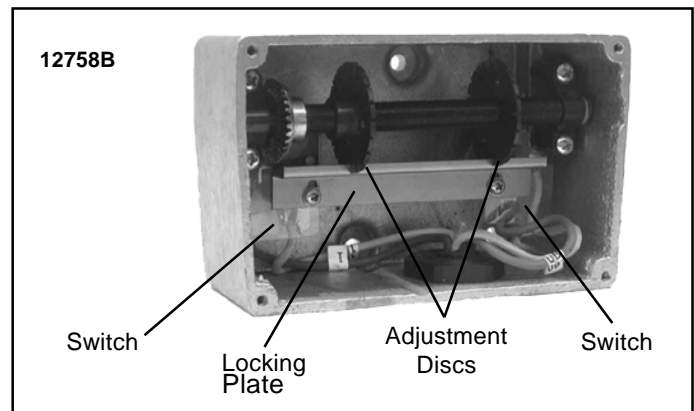


Figure 7-2. Screw-Type Limit Switch Adjustment (Wires not Shown for Clarity.)

a. Remove four screws and lift off switch cover.

b. Loosen locking plate screws. Slide locking plate away from adjustment discs.

- c. Turn proper adjustment disc (right for up, left for down) toward stitch to reduce hook travel or away from switch to increase hook travel.
- d. Slide locking plate back into position ensuring slots on adjustment discs are fully engaged, tighten locking plate screws to 4 in-lbs.
- e. Replace cover.

components used in their construction. A print of the correct wiring diagram for each hoist is furnished as a separate insert and shipped with hoist. We suggest you carefully file the wiring diagram with this book for future reference.

WHEN ORDERING PARTS OR INFORMATION ON THIS EQUIPMENT, ALWAYS INCLUDE MODEL AND SERIAL NUMBER ON ORDER.

▲WARNING
<p>Check limit switch operation carefully, without load, before placing hoist in service. If misadjusted, SEVERE DAMAGE AND/OR A DROPPED LOAD COULD RESULT. Allow 6" for hook drift in both directions. Never allow less than 1-1/2 complete wraps of rope on drum with hook in lowest position.</p>

Provide a light film of NLGI No. 2 grease on bevel gear of limit switch.

7-5. OVERLOAD CLUTCH ADJUSTMENT. When properly adjusted, the overload device is designed so that the hoist will lift its full rated load but will refuse to lift an excessive overload. The overload clutch is not externally adjustable. It is necessary to remove the overload clutch assembly from the hoist for proper adjustment. Therefore, it is strongly recommended that when adjustment and/or replacement parts are required, a SHAW-BOX Authorized Repair Station be contacted. Consult your SHAW-BOX Distributor for nearest Repair Station.

SECTION VIII — WIRING DIAGRAMS

Wiring diagrams for SHAW-BOX electric hoists have been omitted from this book because of many possible variations. This is due to different currents and types of electrical

SECTION IX — PARTS LIST

9-1. GENERAL. The parts lists and illustrations in this section of the manual, cover parts for all standard 800 SHAW-BOX Electric Hoists. A typical hoist is shown as the basis for the exploded parts illustrations; therefore, certain variations may occur from the information given. For this reason, always give the Hoist Serial Number, Catalog Number, Motor Horsepower, Voltage, Phase, Frequency and Rated Load of Hoist when ordering parts.

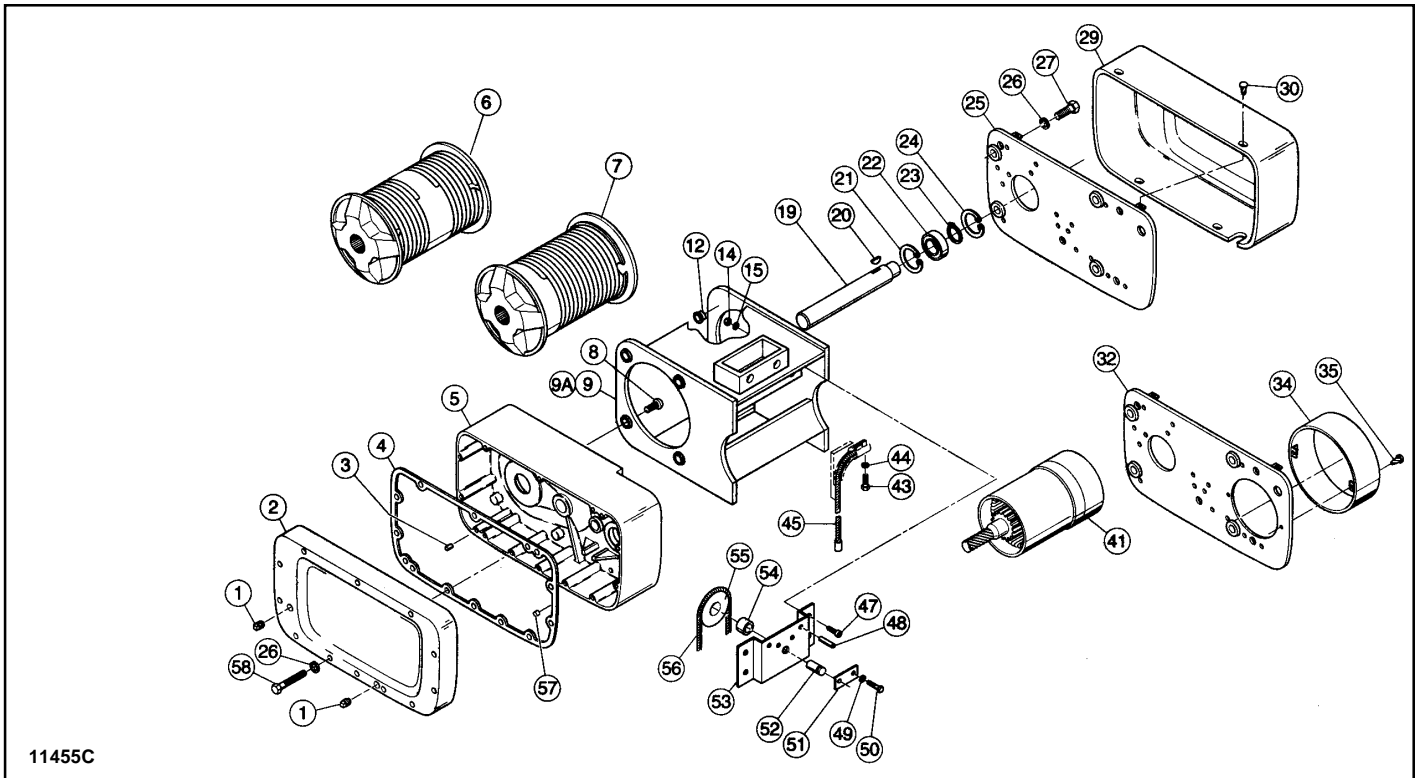
Certain parts of your hoist will, in time, require replacement under normal wear conditions. It is suggested that these parts be purchased for your hoist as spares for future use. These parts are indicated by a (†) symbol at the right side of the parts reference numbers.

▲WARNING
<p>NON-FACTORY AUTHORIZATIONS OR MODIFICATION OF EQUIPMENT AND USE OF NON-FACTORY REPAIR PARTS CAN LEAD TO DANGEROUS OPERATION AND INJURY.</p>
<p>TO AVOID INJURY:</p> <ul style="list-style-type: none"> • Do not alter or modify equipment without factory authorization. • Do use only factory provided replacement parts.

The numbers assigned to the parts of our various assemblies in our parts lists are not the part numbers used in manufacturing the part. They are identification numbers, that when given with the model number, permit us to identify, select or manufacture, and ship the correct part needed.

9-2. INDEX OF EXPLODED VIEW PARTS ILLUSTRATIONS

Figure No.	Title	Page No.
9-1	Frame, Gearcase and External Parts	23
9-2	Gearing and Load Brake Parts	26
9-3	Hoist Motor Brake - Later Version	28
9-4	Hoist Motor Brake - Early Version.....	30
9-5	Three Phase Motor Assembly	32
9-6	Upper Limit Switch Parts	33
9-7	Electrical Control Equipment	34
9-8	Push Button Station Assembly and Conductor Cable (Single Speed)	35
9-9	Push Button Station Assembly and Conductor Cable (Two Speed) - Later Version	36
9-10	Push Button Station Assembly and Conductor Cable (Two Speed) - Early Version	38
9-11	Lower Block Assembly — 2 parts rope, single reeved	40
9-12	Lower Block Assembly — 2 part double reeved.....	41
9-13	Upper and Lower Block Parts (3 & 5 Ton)	42
9-14	Screw-Type Limit Switch Parts	43



11455C

Figure 9-1. Frame, Gearcase and External Parts

Ref. No.	Part Number	Description	Qty. Req'd
1	800-197	Plug - Oil Level	2
2	800-192	Cover & Bearing Assembly - Gearcase	1
3	800-105	Dowel	2
4†	800-106	Gasket - Gearcase	1
5	800-107	Gearcase & Bearing Assembly	1
6		Drum & Hub Assembly (Double Reeved Models)	1
		1/2 & 1 Ton (3/6" Dia. Rope)	
	800-109	18' Lift	
	800-111	34' Lift	
	800-2100	47' Lift	
		2 Ton (1/4" Dia. Rope)	
	800-108	14' Lift	
	800-110	25' Lift	
	800-2101	36' Lift	
7		Drum & Hub Assembly (Single Reeved Models)	1
		1/2 & 1 Ton (1/4" Dia. Rope)	
	800-113	25' Lift	
	800-115	50' Lift	
		2 Ton (5/16" Dia. Rope)	
	800-112	20' Lift	
	800-114	40' Lift	
		3 Ton (5/16" Dia. Rope)	
	800-2102	30' Lift	
	800-2103	45' Lift	
		5 Ton (5/16" Dia. Rope)	
	800-2104	20' Lift	
	800-2105	30' Lift	
8	800-116	Screw - Hex, Socket Button Head - Self-Locking	4
9		Frame Assembly (Single Reeved Models)	1
		1/2, 1 & 2 Ton	
	800-117	Short Frame	
	800-118	Long Frame	

† Recommended spares

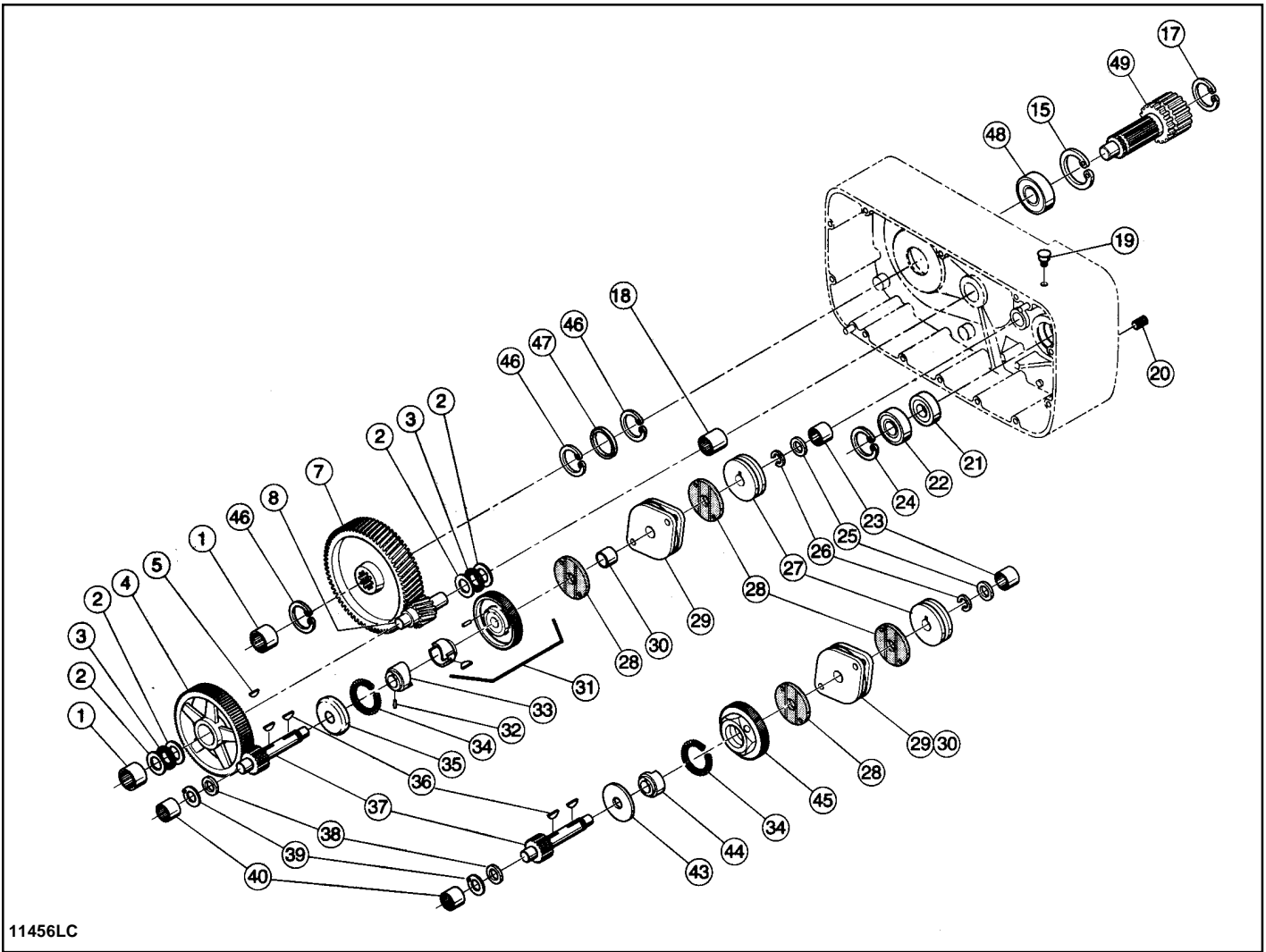
Continued on next page

Figure 9-1. Frame, Gearcase & External Parts. (continued)

Ref. No.	Part Number	Description	Qty. Req'd
		3 Ton	
	800-2106	First Extension	
	800-2107	Second Extension	
		5 Ton	
	800-2108	First Extension	
	800-2109	Second Extension	
9A		Frame Assembly (Double Reeved Models)	1
		1/2, 1 & 2 Ton	
	800-2110	Short Frame	
	800-2111	Long Frame	
	800-2112	First Extension	
12	800-121	Closure - 1/2" Plug	3
14	800-124	Nut - Hex (Double Reeved Models)	4
15	800-125	Lockwasher (Double Reeved Models)	4
19		Shaft - Extension, Drum	1
	800-130	Short Frame	
	800-131	Long Frame	
	800-2113	First Extension	
	800-2114	Second Extension	
20	800-132	Key - Woodruff ("Hi-Pro" Type)	1
21	800-133	Ring - Retaining, Hub (Internal)	1
22†	800-134	Bearing - Drum Shaft	1
23	800-135	Ring - Retaining, External	1
24	800-136	Ring - Retaining, Beveled Hub (Internal)	1
25	800-137a	Plate Assembly - Base	1
26	800-138	Lockwasher	16
27	800-139	Screw - Hex Socket Head Cap	4
29	800-194c	Cover Assembly - Electrical	1
30	800-2121	Screw - Self-Tapping	2
32	800-146a	Plate Assembly - Base (Short Frame)	1
34	800-2122	Shell - Brake, Short Frame	1
35	800-149	Screw - Self-Tapping	2
41	See Fig. 9-3 & Fig. 9-4	Motor & Brake	1
43	800-155	Screw - Hex Socket Head	1
44	800-156	Lockwasher	1
45†		Rope & Thimble Assembly (Single Reeved Models)	1
		1/2 & 1 Ton (1/4" Dia. Rope)	
	800-158	25' Lift	
	800-161	50' Lift	
		2 Ton (5/16" Dia. Rope)	
	800-157	20' Lift	
	800-160	40' Lift	
		3 Ton (5/16" Dia. Rope)	
	800-2115	30' Lift	
	800-2116	45' Lift	
		5 Ton (5/16" Dia. Rope)	
	800-2117	20' Lift	
	800-2118	30' Lift	
47	800-164	Screw - Hex Socket Head	4
48	800-165	Roll Pin	2
49	800-166	Lockwasher	2
50	800-167	Screw - Hex Head Cap	2
51	800-168	Key Plate	1
52	800-169	Shaft - Sheave (Double Reeved Models)	1
53	800-170	Bracket, Sheave (Double Reeved Models)	1
54†	800-171	Bearing, Sheave (Double Reeved Models)	1
55†	800-172	Sheave Assembly, Upper (Double Reeved Models) Includes Bearing	1

† Recommended spares

Continued on next page



11456LC

Figure 9-2. Gearing and Load Brake Parts

Ref. No.	Part Number	Description	Qty. Req'd
1†	800-201	Bearing Assembly - Needle, Intermediate & Drum Gear Shaft	2
2†	800-202	Race - Thrust Bearing	4
3†	800-203	Bearing Assembly - Needle Thrust	2
4		Gear - Intermediate	1
	800-204	104 Teeth	
	800-205	109 Teeth	
	800-266	103 Teeth	
	800-206	90 Teeth	
	800-2205A	107 Teeth	
5	800-207	Key - Woodruff	1
7		Gear - Drum	1
	800-209	71 Teeth	
	800-210	61 Teeth	
	800-2209	71 Teeth	
8		Shaft - Intermediate Gear	1
	800-211	14 Teeth	
	800-212	24 Teeth	
	800-2211	14 Teeth	
15	800-219	Ring - Retaining, Drum Shaft Bearing	1
17	800-221	Ring - Retaining	1

† Recommended spares

Continued on next page

Figure 9-2. Gearing and Load Brake Parts. (continued)

Ref. No.	Part Number	Description	Qty. Req'd
18†	800-222	Bearing Assembly - Roller, Intermediate Shaft	1
19	800-269	Cover - Oil Hole	1
20	800-224	Pipe Plug - Hex Socket	1
21†	800-225	Oil Seal - Motor Shaft	1
22†	800-226	Bearing Assembly - Ball, Motor Shaft	1
23†	800-227	Bearing Assembly - Needle, Load Brake Shaft	1
24	800-228	Ring - Retaining, Motor Shaft Bearing	1
25	800-229	Washer - Thrust (Steel)	1
		Brake Assembly - Load, Complete (Includes Items 26 thru 37)	1
	800-230	23 Teeth	
	800-231	36 Teeth	
	800-267	24 Teeth	
	800-232	18 Teeth	
	800-2232A	20 Teeth	
26	800-233	Ring - Retaining, Brake Flange	1
27	800-234	Flange - Load Brake	1
28*	800-235	Washer - Friction	2
29	800-236	Pawl & Ratchet Assembly - Load Brake (Available Only As An Assembly)	1
30	800-237	Bushing - Ratchet	1
31	800-238	Gear & Center Assembly	1
32	800-239	Pin - Groove	2
33†	800-240	Cam - Load Brake	1
34†	800-241	Spring - Load Brake	1
35	800-242	Retainer - Spring, Load Brake	1
36	800-243	Key - Woodruff	2
37		Shaft & Integral Pinion - Load Brake	1
	800-244	23 Teeth	
	800-245	36 Teeth	
	800-268	24 Teeth	
	800-246	18 Teeth	
	800-2246A	20 Teeth	
38†	800-247	Washer - Thrust (Used With 800-246 Only)	1
39†	800-248	Washer - Thrust (Bronze)	1
40†	800-249	Bearing Assembly - Needle, Load Brake Shaft	1
*	800-250	Load Brake - Clutch Assembly With Bearings (Complete)	1
**	800-251	Load Brake - Clutch Assembly (Includes Items 26 thru 30, 34, 36 thru 38 and 43 thru 45)	1
43	800-254	Spring Retainer	
44	800-253	Brake Gear, Center	
45	800-252	Clutch Assembly	80
46	800-260	Ring - Retaining	3
47	800-263	Oil Seal - Drum Shaft	1
48	800-261	Bearing Assembly - Ball, Drum Shaft	1
49	800-262	Shaft - Drum	1

† Recommended spares.

* Recommended Replacement Kit for Load Brake Clutch (Complete).

** Replacement Complete, Less Bearings and Thrust Washers.

For hoists built prior to March, 1997, gearing part numbers, with four digits (rather than three) after "800-", must be replaced in sets.

For hoists built between March 1, 1997 and July 1, 1997, contact the factory for gearing requirements.

NOTES

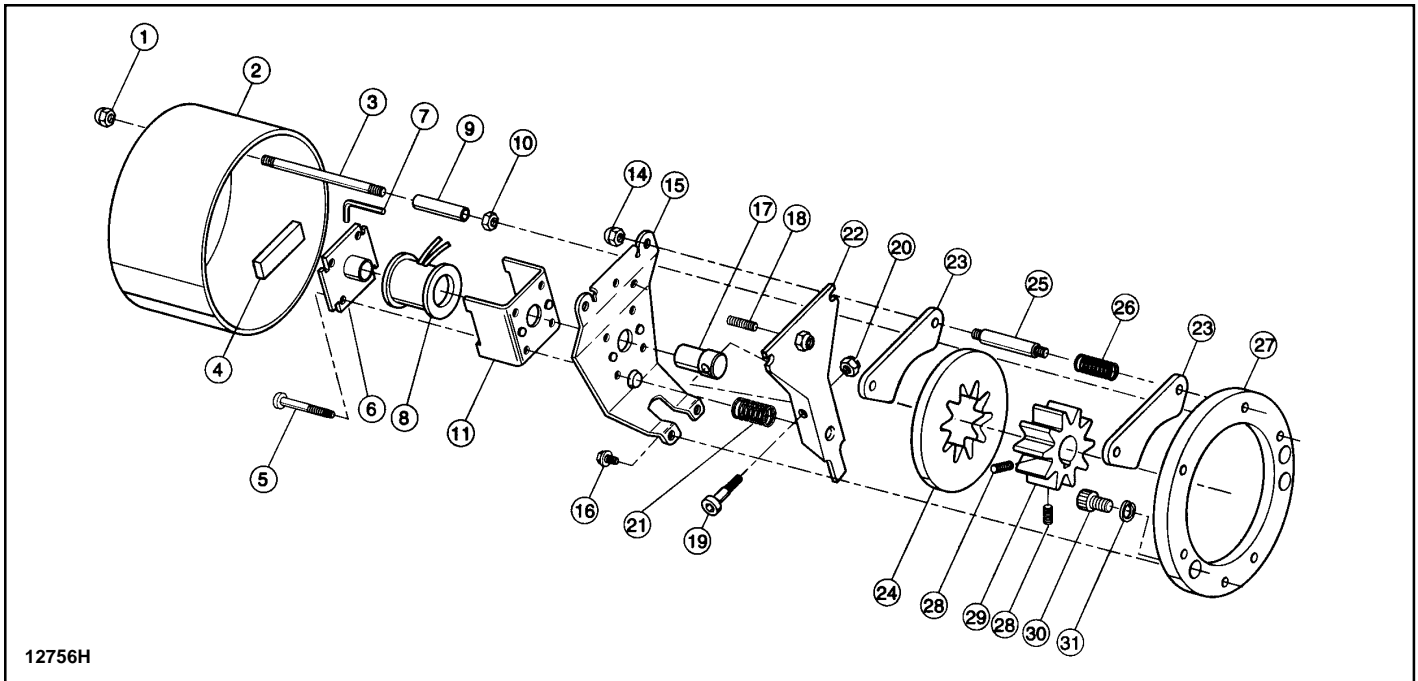


Figure 9-3. Hoist Motor Brake - Later Version

Ref. No.	Part Number	Description	Qty. Req'd
	800-2401	Motor Brake Assembly (Includes Ref. Nos. 1 thru 31)	1
1	*	Acorn Nut - Plated (#10-32)	2
2	800-2402	Brake Cover Assembly (Includes Brake Cover and Label Inside Cover)	1
3	*	Cover Stud	2
4	*	Gasket	1
5	*	Phillips Pan Head Self Tapping Screw - Plated (#10-32 x 1-3/4)	4
6	*	Solenoid Frame Cover Assembly	1
7	*	Hex Key (1/8 - 3/4 x 2)	1
8	800-2410†	Solenoid Coil Assembly	1
9	*	Tubing	3
10	*	Hex Nut - Plated (#10-32)	2
11	800-2411	Solenoid Frame	1
14	*	Hex Head Self Locking Nut - Plated (#10-32)	2
15	800-2403	Solenoid Support	1
16	*	Hex Washer Head Thread Forming Screw - Plated (#10-32 x 1/4)	2
17	*	Solenoid Plunger	1
18	*	Hex Socket Head Set Screw - Oval Point (1/4-28 x 1)	1
19	*	Hex Socket Shoulder Screw (#10-24 x 1)**	1
20	*	Hex Head Self Locking Nut - Plated (#10-24)**	1
21	*	Brake Spring (Use Red Spring Only)	1
22	*	Brake Lever Assembly	1
23	*	Pressure Pad	2
24	*	Brake Disc (Nonasbestos)	1
25	*	Brake Support Stud	2
26	*	Separating Spring	2
27	800-2404	Brake Mounting Plate	1
28	*	Hex Socket Head Self Locking Set Screw - Cup Point (1/4-20 x 3/8)	2
29	*	Brake Hub	1
30	*	Hex Socket Head Screw (3/8-16 x 3/4)	2
31	*	Lock Washer (3/8)	2
		Wire Nuts - Not Shown (No. 22 thru 14 AWG)	4

† Recommended spares

* Not available as individual parts. See replacement kits listed on page 29. Kits include quantities shown above

** Later models have a hex socket head screw (1/4-20 x 1-1/2) with a hex head self locking nut - plated (1/4-20)

Continued on next page

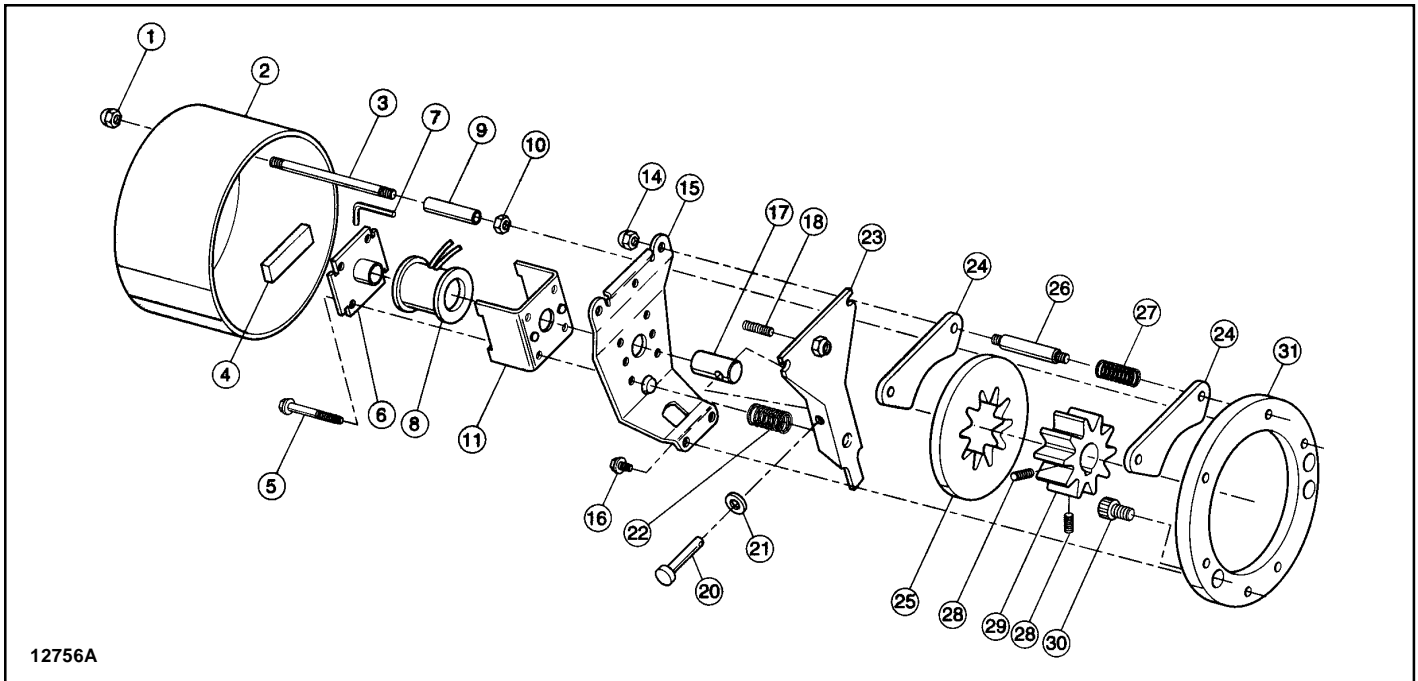
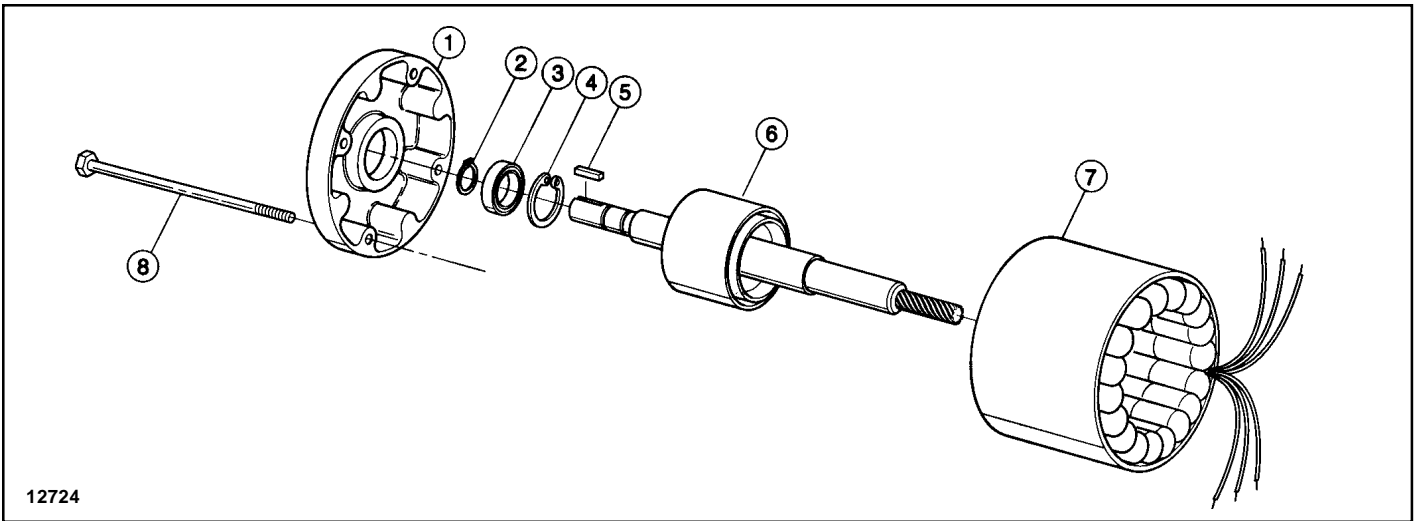


Figure 9-4. Hoist Motor Brake - Early Version

Ref. No.	Part Number	Description	Qty. Req'd
		Motor Brake Assembly (Includes Ref. Nos. 1 thru 32)	1
	800-1400	Short Frame Models Only	
	800-1401	Other Models	
1	*	Acorn Nut (#10-32)	2
2	800-1402	Brake Cover Assembly (Includes Brake Cover and Label Inside Cover)	1
3	*	Cover Stud	2
4	*	Gasket	1
5	*	Hex Washer Head Thread Forming Screw (#10-32 x 1 -3/4)	4
6	*	Solenoid Frame Cover Assembly	1
7	*	Hex Key (1/8-3/4 x 2-1/4)	1
8	*	Solenoid Coil Assembly	1
9	*	Tubing	3
10	*	Hex Nut (#10-32 Pltd.)	2
11	*	Solenoid Frame	1
14	*	Hex Head Self-Locking Nut (#10-24)	2
15	800-1403	Solenoid Support	1
16	*	Hex Washer Head Thread Forming Screw (#10-32 x 1/4)	2
17	*	Solenoid Plunger	1
18	800-1404	Hex Socket Head Self-Locking Set Screw - Oval Point (1/4 - 28 x 1)	1
20	*	Clevis Pin (3/16 x 1-1/4)	1
21	*	Flat Washer	2
22	*	Brake Spring	1
23	*	Brake Lever Assembly	1
24	*	Pressure Pad	2
25	*	Brake Disc (Nonasbestos)	1
26	*	Brake Support Stud	2
27	*	Separating Spring	2
28	*	Hex Socket Head Self-Locking Set Screw - Cup Point (1/4 - 20 x 3/8)	2
29	*	Brake Hub	1
30	*	Hex Socket Head Screw (3/8 - 16 x 3/4)	2
31	800-1405	Brake Mounting Plate	1
32	*	Wire Nuts - Not Shown (No. 22 thru 16 AWG)	4

* Not available as individual parts. See replacement kits listed on page 31. Kits include quantities shown above.

Continued on next page



12724

Figure 9-5. Three Phase Motor Assembly

Ref. No.	Part Number	Description	Qty. Req'd
		Motor Assembly (Includes Ref. Nos. 1 thru 8)	1
	800-1301	1 Horsepower (1 Speed) 200 Volt	
	800-1302	230/460 Volt	
	800-1303	575 Volt	
		2 Horsepower (1 Speed)	
	800-1304	200 Volt	
	800-1305	230/460 Volt	
	800-1306	575 Volt	
		4 Horsepower (1 Speed)	
	800-1307	200 Volt	
	800-1308	230/460 Volt	
	800-1309	575 Volt	
		1 - 1/3 Horsepower (2 Speed)	
	800-1310	200 Volt	
	800-1311	230 Volt	
	800-1312	460 Volt	
	800-1313	575 Volt	
		2 - 2/3 Horsepower (2 Speed)	
	800-1314	200 Volt	
	800-1315	230 Volt	
	800-1316	460 Volt	
	800-1317	575 Volt	
		3 - 1 Horsepower (2 Speed)	
	800-1318	200 Volt	
	800-1319	230 Volt	
	800-1320	460 Volt	
	800-1321	575 Volt	
		4 - 2 Horsepower (2 Speed)	
	800-1322	200 Volt	
	800-1323	230 Volt	
	800-1324	460 Volt	
	800-1325	575 Volt	
1	*	Bell - End	1
2	*	Ring - Retaining	1
3	*	Bearing - Ball	1
4	*	Ring - Retaining	1
5	*	Key - Brake	1
6	*	Rotor and Shaft Assembly	1
7	*	Stator Assembly	1
8	*	Bolt - Motor	4

* Furnished only as part of motor assembly

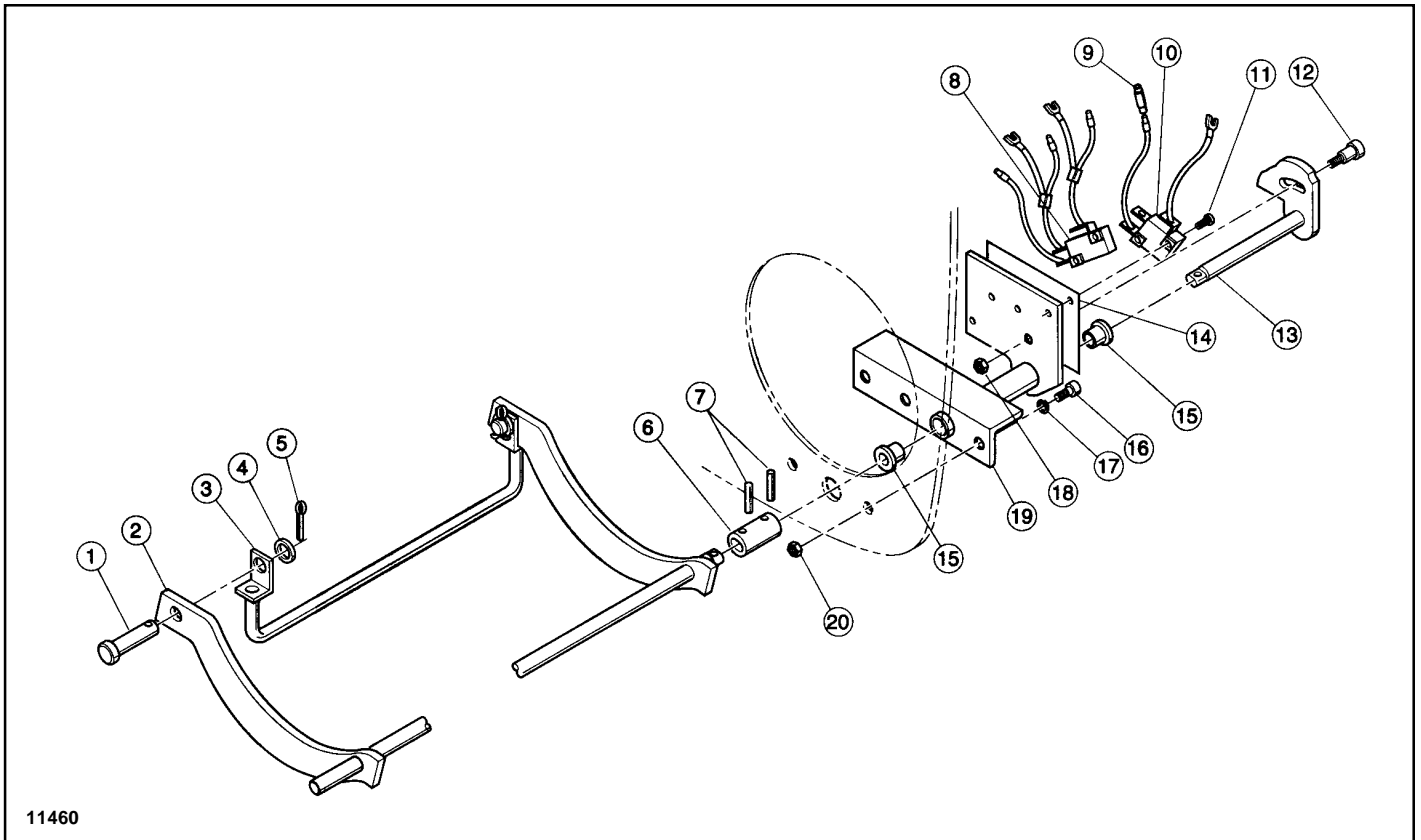
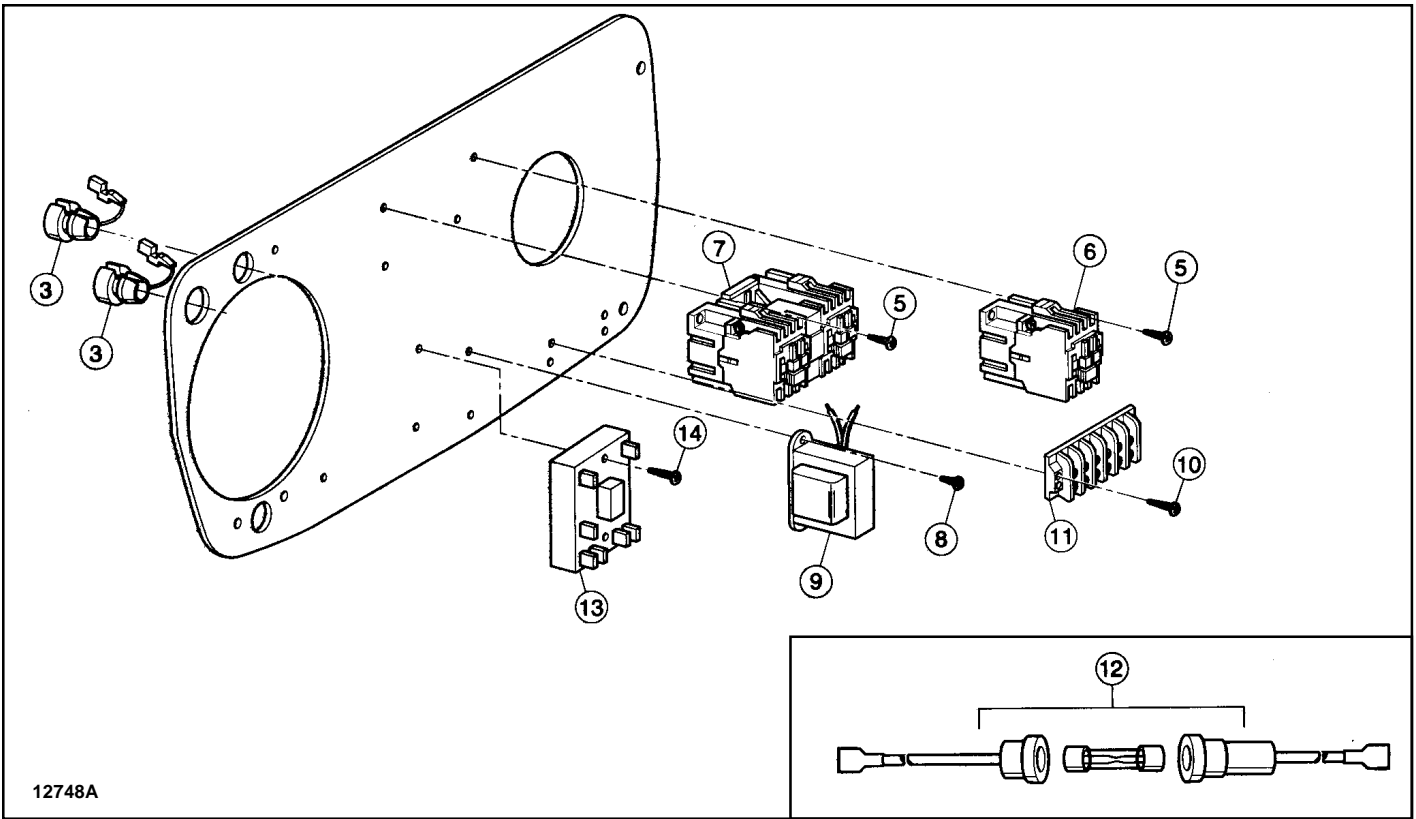


Figure 9-6. Upper Limit Switch Parts

Ref. No.	Part Number	Description	Qty. Req'd
1	800-501	Pin - Pivot	2
2	800-502	Arm - Lever	1
	800-503	Short Frame	
	800-503	Long Frame	
	800-526	First Extension	
	800-527	Second Extension	
3	800-504	Lever - Floating	1
	800-504	Short Frame	
	800-505	Long Frame	
	800-528	First Extension	
	800-529	Second Extension	
4	800-506	Washer	2
5	800-507	Pin - Cotter	2
6	800-525	Coupling	1
7	800-509	Pin - Roll	2
8†	800-510	Switch Assembly - Limit, Reversing (Includes Wire Leads)	1
9	800-511	Connector - Wire	3
10†	800-512	Switch Assembly - Limit, Stop (Includes Wire Leads)	1
11	800-513	Screw - Round Head	4
12	800-514	Screw - Socket Head Shoulder	1
13	800-515	Shaft & Cam Assembly	1
14	800-516	Insulator - Limit Switch	1
15	800-517	Bearing - Nylon	2
16	800-518	Screw - Socket Head Cap	2
17	800-519	Lockwasher	2
18	800-520	Nut - Lock	1
19	800-521	Bracket Assembly - Mounting	1
20	800-522	Nut - Hex	2

† Recommended spares



12748A

Figure 9-7. Electrical Control Equipment

Ref. No.	Part Number	Description	Qty. Req'd
3	800-670	Cord Grip - Conductor	2
5	800-654	Screw - Self-Tapping	4
6†	800-655	Contactor - Two Speed	1
7†	800-656	Contactor	1
8	800-657	Screw - Self-Tapping	2
9†	800-671	Transformer	1
10	800-663	Screw - Self-Tapping	4
11†	800-672	Terminal Board (Reconnectable Hoist Only)	1
12	800-673	Fuse, Fuse Holder and Wire Assembly	1
	800-674	Fuse Only (2A, 300V)	1
13	800-675	Brake Module	1
14	800-676	Screw - Self Tapping	2

† Recommended Spares

NOTES

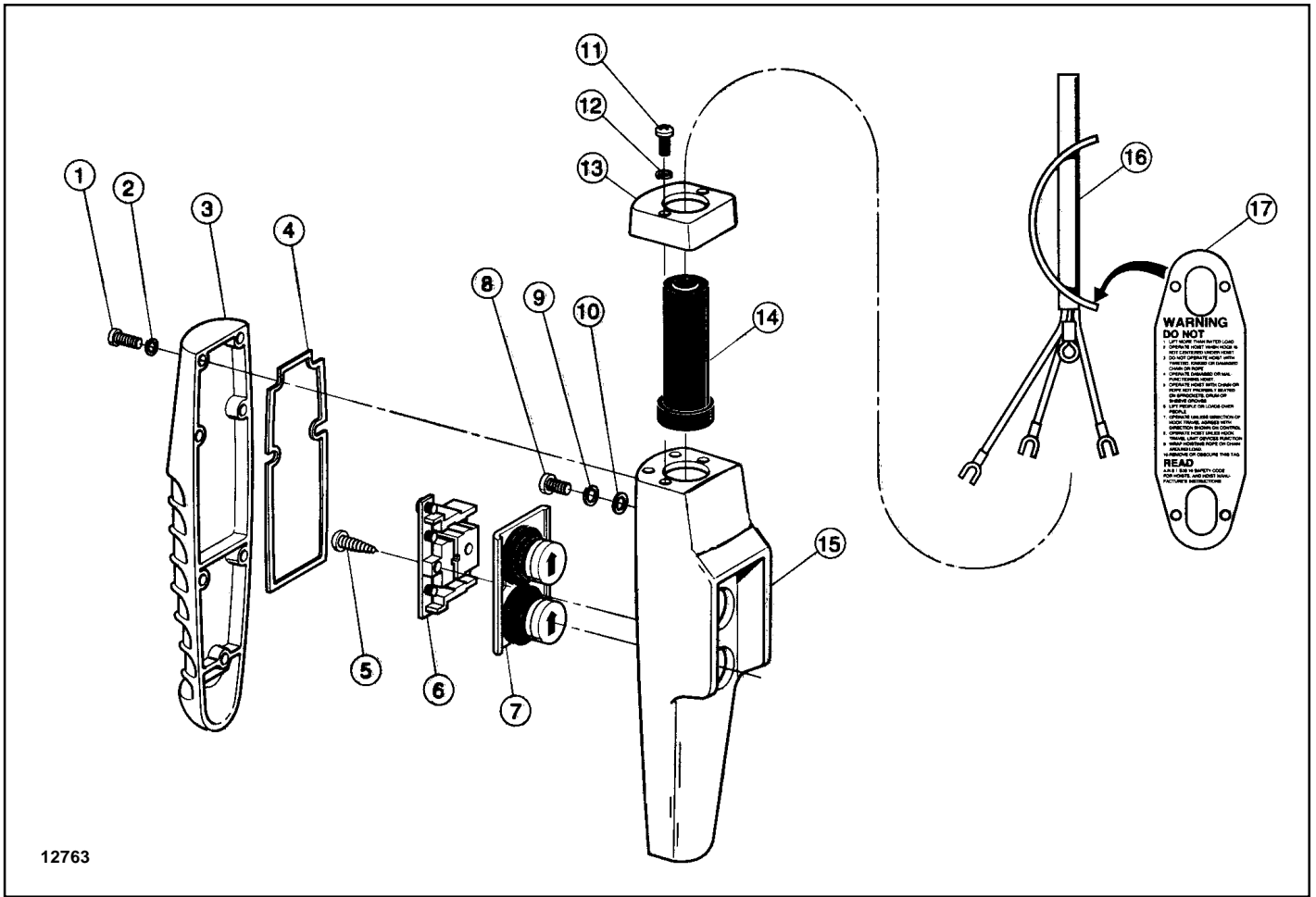
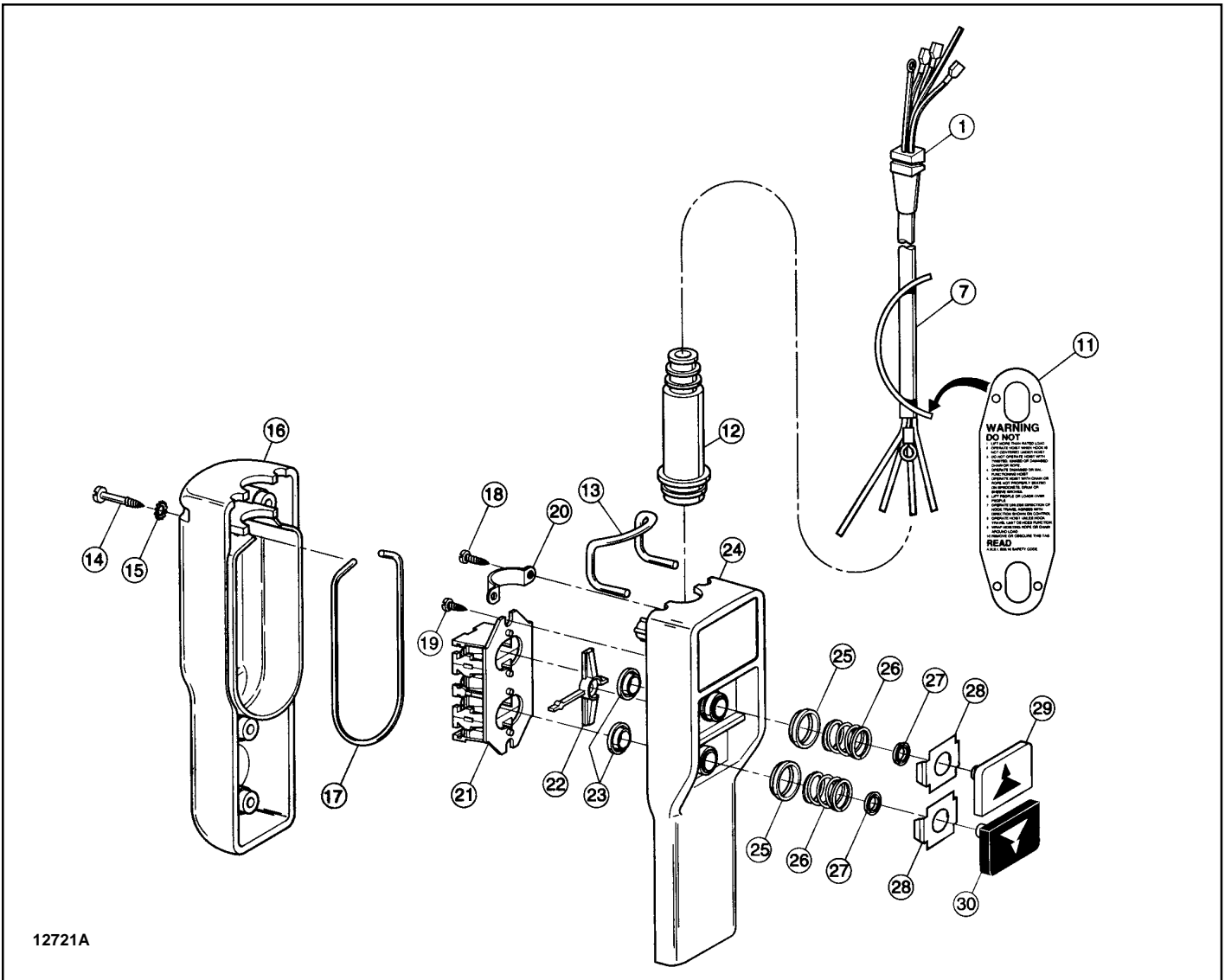


Figure 9-8. Push Button Station and Conductor Cable Assembly.
Single Speed Hoists

Ref. No.	Part Number	Description	Qty. Req'd
	800-2701	Push Button Station and Conductor Cable Assembly (Includes Ref. Nos. 1 thru 17)	1
	800-2702	Push Button Station (Includes Ref. Nos. 1 thru 15)	1
1	*	Type 1 Pan Head Machine Screw (M 3.5 x 0.6 x 12 Pltd.)	7
2	*	Lockwasher (M 3.5 Pltd.)	7
3	*	Rear Cover	1
4	800-2703	Gasket	1
5	*	Type 1 Pan Head Thread Cutting Screw (M 4 x 15 Pltd.)	2
6	800-2704	Contact Assembly	1
7	800-2705	Button Assembly	1
8	*	Type 1 Pan Head Machine Screw (M 6 x 1 x 12 Pltd.)	1
9	*	Lockwasher (M 6 Pltd.)	1
10	*	Plain Washer (M 6 Pltd.)	1
11	*	Type 1 Pan Head Machine Screw (M 3.5 x 1 x 14 Pltd.)	2
12	*	Lockwasher (M 3.5 Pltd.)	2
13	*	Housing Cap	1
14	800-2706	Grommet	1
15	*	Housing	1
16	800-2707	Conductor Cable Assembly	1
17	800-2708	Plastic Warning Tag	1

* Not available separately. Order Push Button Station



12721A

Figure 9-9. Push Button Station and Conductor Cable Assembly.
Two Speed Hoists Only - Later Version

Ref. No.	Part Number	Description	Qty. Req'd
	800-1821	Push Button Station and Conductor Cable Assembly (Includes Ref. Nos. 1 thru 30)	1
1	800-1822	Grommet	1
7	800-1823	Conductor Cable	As Req'd
11	800-1812	Operator Warning Label	1
	800-1813	Push Button Station (Includes Ref. Nos. 12 thru 30)	1
	800-1814	Sleeve - Conductor	1
13	*	Support - Strain Cable	1
14	*	Screw - Slotted Head	4
15	*	Lockwasher	4
16	*	Enclosure - Rear	1
17	*	Gasket	1
18	*	Screw - Slotted Head	2
19	*	Screw - Slotted Head	2
20	*	Clamp - Conductor	1
21	*	Contact Block Assembly	1

* Not available separately. Order Push Button Station

Continued on next page

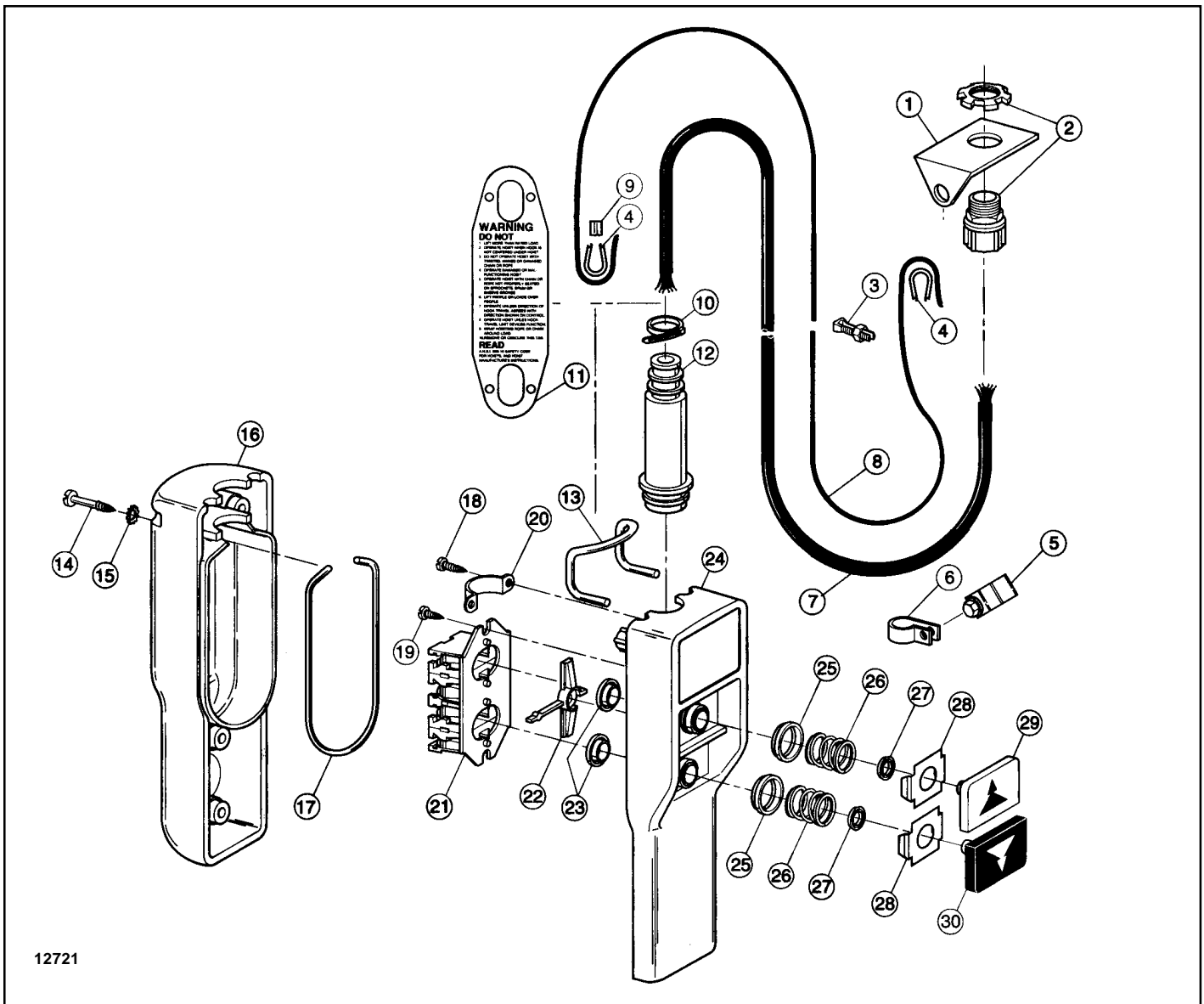


Figure 9-10. Push Button Station and Conductor Cable Assembly.
Two Speed Hoists Only - Early Version

Ref. No.	Part Number	Description	Qty. Req'd
	800-1801	Push Button Station and Conductor Cable Assembly (Includes Ref. Nos. 1 thru 30)	1
1	800-1802	Anchor Bracket - Strain Cable	1
2	800-1803	Grip Assembly - Conductor	1
3	800-1804	Connector - Strain Cable	1
4	800-1805	Thimble - Strain Cable	2
5	800 1806	Connector - Conductor to Strain Cable	1
6	800-1807	Clamp - Conductor	1
7	800-1808	Conductor Cable	1
8	800-1809	Strain Cable	1
9	800-1810	Sleeve - Pressure	1
10	800-1811	Tie - Conductor	As Req'd.
11	800-1812	Operator Warning Label	1
	800-1813	Push Button Station (Includes Ref. Nos. 12 thru 30)	1
12	800-1814	Sleeve - Conductor	1

Continued on next page

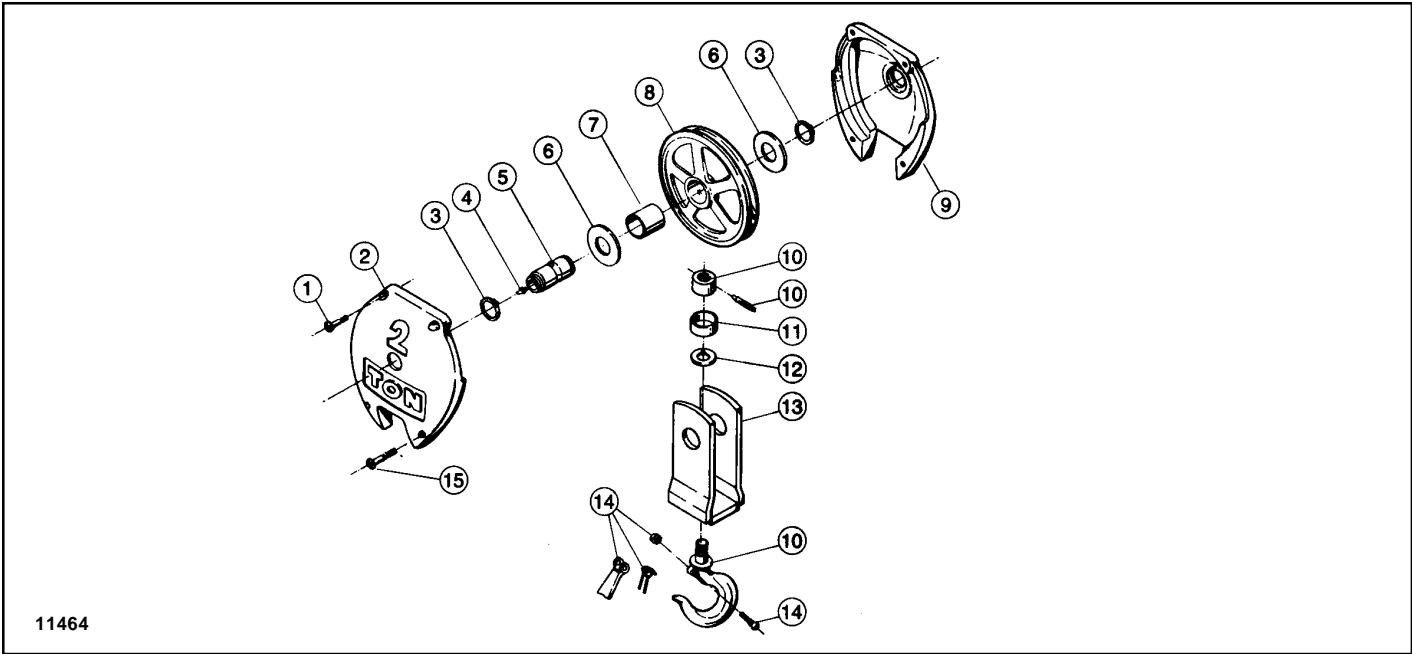


Figure 9-11. Lower Block Assembly - Two Parts Rope, Single Reeved

Ref. No.	Part Number	Description	Qty. Req'd
	800-801	Block Assembly - Lower, Complete, 2 Ton	1
	800-802	Block Assembly - Lower, Complete, 1 Ton	1
	800-803	Block Assembly - Lower, Complete, 1/2 Ton	1
1	800-804	Screw - Flat Head, Self-Threading	2
2	800-805	Cover - 2 Ton	1
	800-806	Cover - 1 Ton	1
	800-807	Cover - 1/2 Ton	1
3	800-808	Ring - Retaining, 2 Ton	2
	800-809	Ring - Retaining, 1/2 & 1 Ton	2
4	800-810	Lube Fitting	1
5	800-811	Pin - Sheave, 2 Ton	1
	800-812	Pin - Sheave, 1/2 & 1 Ton	1
6	800-813	Spacers - 2 Ton	2
	800-814	Spacers - 1/2 Ton & 1 Ton	2
†	800-815	Sheave Assembly - 2 Ton (Consists of Items 7 and 8)	1
7	800-816	Bearing	1
8	800-817	Sheave	1
†	800-818	Sheave Assembly - 1/2 & 1 Ton (Consists of Items 7 and 8)	1
7	800-819	Bearing	1
8	800-820	Sheave	1
9	800-821	Cover - Lower Block, 2 Ton	1
	800-822	Cover - Lower Block, 1 Ton	1
	800-823	Cover - Lower Block, 1/2 Ton	1
10†	800-824	Hook Assembly - (Consists of Hook, Nut & Grooved Pin), 2 Ton	1
†	800-825	Hook Assembly - (Consists of Hook, Nut & Grooved Pin), 1/2 & 1 Ton	1
11	800-826	Shroud - Thrust Bearing, 2 Ton	1
	800-827	Shroud - Thrust Bearing, 1/2 & 1 Ton	1
12†	800-828	Bearing Washer - Thrust, 2 Ton	1
†	800-829	Bearing Washer - Thrust, 1/2 & 1 Ton	1
13	800-830	Body - Lower Block, 2 Ton	1
	800-831	Body - Lower Block, 1/2 & 1 Ton	1
14	800-832	*Safety Hook Latch Kit - 2 Ton	1
	800-833	*Safety Hook Latch Kit - 1/2 & 1 Ton	1
15	800-834	Screw - Flat Head, Self-Threading	2

† Recommended Spares
 * Furnished as standard with hook

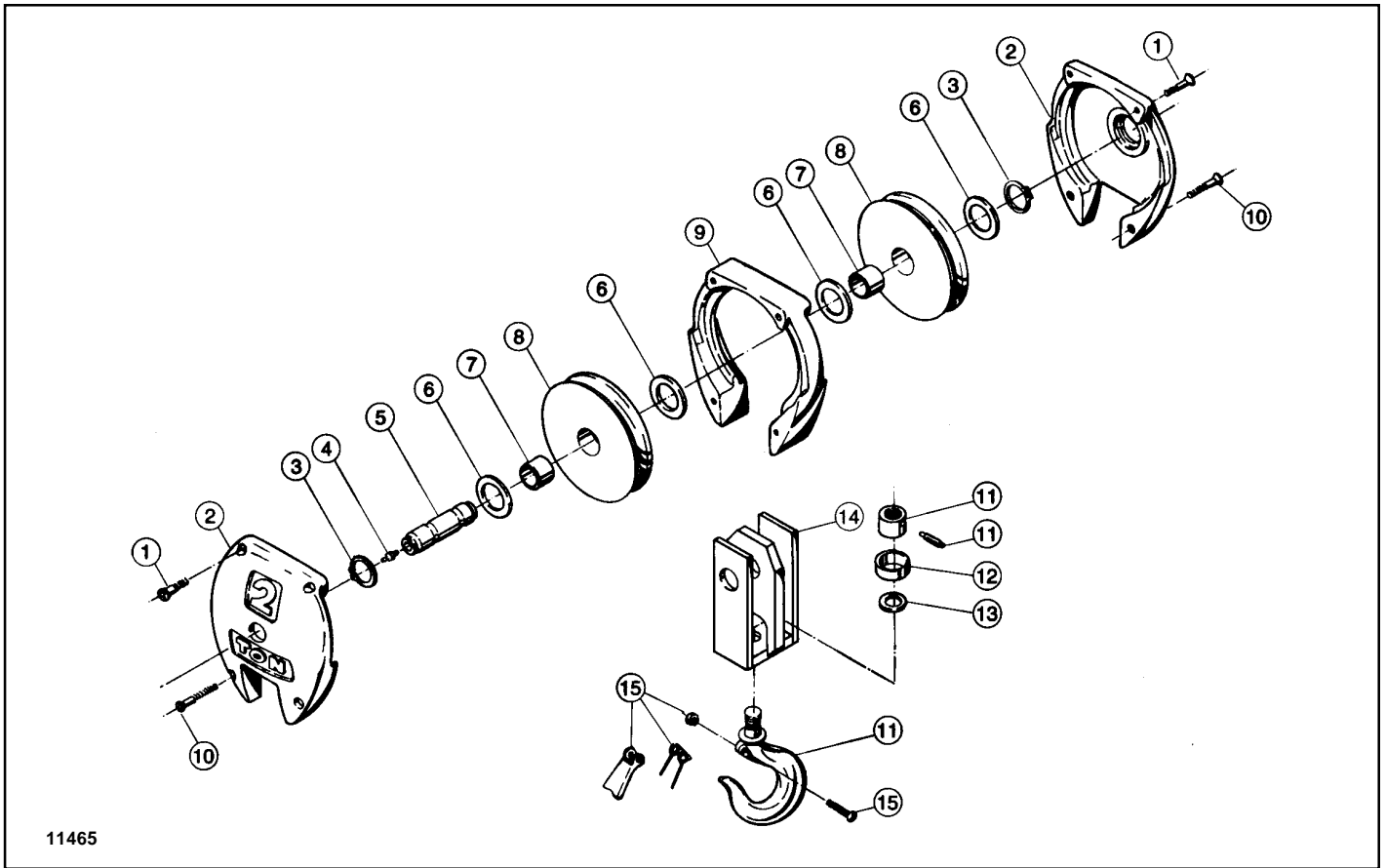
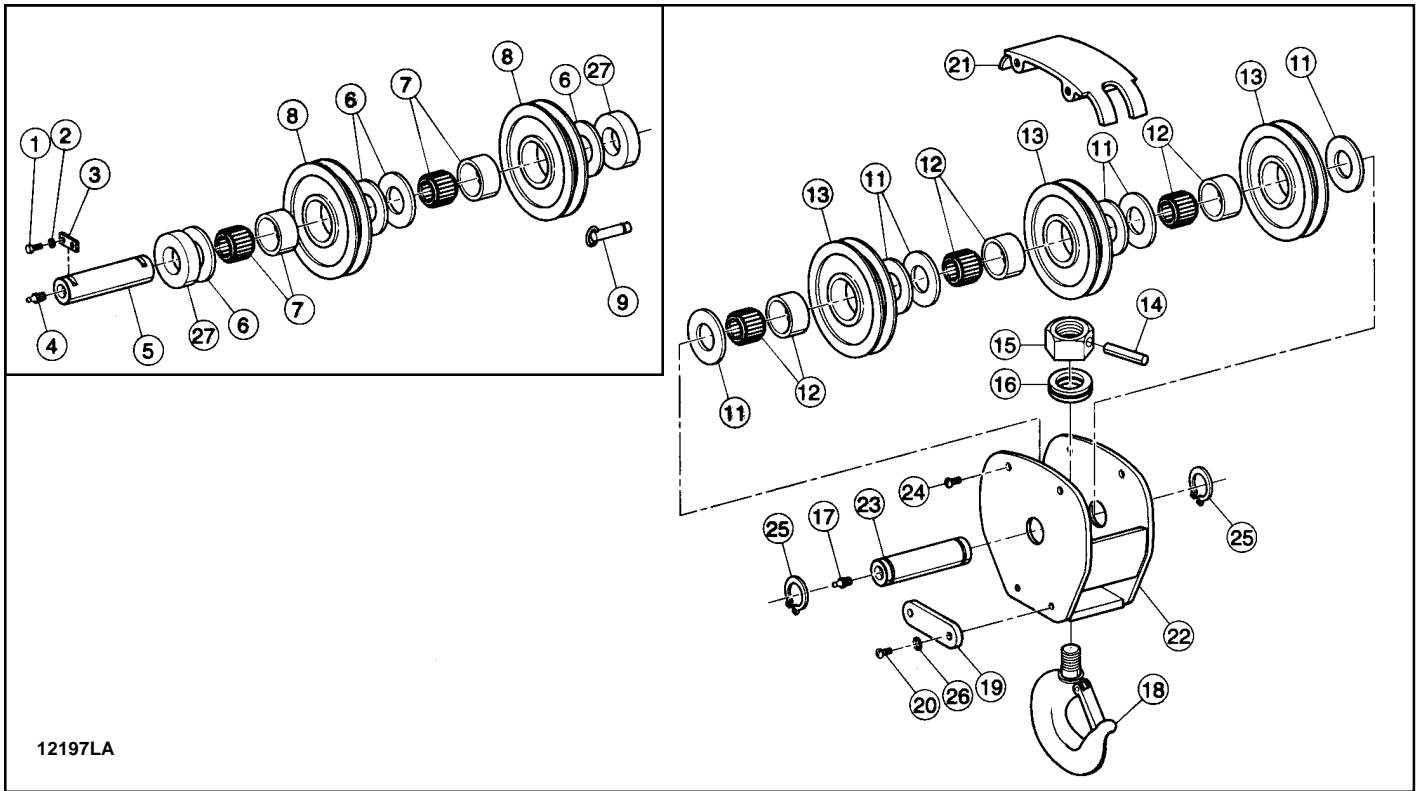


Figure 9-12. Lower Block Assembly—Two Parts Double Reeved

Ref. No.	Part Number	Description	Qty. Req'd
	800-851	Block Assembly - Lower, Complete, 2 Ton	1
	800-852	Block Assembly - Lower, Complete, 1 Ton	1
	800-853	Block Assembly - Lower, Complete, 1/2 Ton	1
1	800-804	Screw - Flat Heads Self-Threading	4
2	800-854	Cover - Lower Block, 2 Ton	2
	800-806	Cover - Lower Block, 1 Ton	2
	800-807	Cover - Lower Block, 1/2 Ton	2
3	800-809	Ring - Retaining	2
4	800-810	Fitting - Lube	1
5	800-855	Pin - Sheave	1
6	800-814	Spacer	4
†	800-818	Sheave Assembly - (Consists of Items 7 and 8)	2
7	800-819	Bearing	2
8	800-820	Sheave	2
9	800-856	Cover - Intermediate	1
10	800-834	Screw - Flat Head, Self-Threading	4
11†	800-824	Hook Assembly - (Consists of Hook, Nut & Grooved Pin), 2 Ton	1
†	800-825	Hook Assembly - (Consists of Hook, Nut & Grooved Pin), 1/2 & 1 Ton	1
12	800-826	Shroud - Thrust Bearing, 2 Ton	1
	800-827	Shroud - Thrust Bearing, 1/2 & 1 Ton	1
13†	800-828	Bearing - Thrust, 2 Ton	1
†	800-829	Bearing - Thrust, 1/2 & 1 Ton	1
14	800-857	Body - Lower Block, 2 Ton	1
	800-858	Body - Lower Block, 1/2 & 1 Ton	1
15	800-832	*Safety Hook Latch Assembly - 2 Ton	1
	800-833	*Safety Hook Latch Assembly - 1/2 & 1 Ton	1

† Recommended Spares

* Furnished as standard with hook



12197LA

Figure 9-13. Upper and Lower Block Parts (3 & 5 Ton - Typical)

Ref. No.	Part Number	Description	Quantity Required	
			Reeving	
			3-Ton/4 PS	5-Ton/6 PS
	800-1501	Block Assembly - Lower, 4 Part Single (Complete)	1	-
	800-1502	Block Assembly - Lower, 6 Part Single (Complete)	-	1
1	800-1503	Screw - Hex Head Cap	2	2
2	800-1504	Lockwasher	2	2
3	800-1505	Key Plate	1	1
4	800-1506	Fitting - Grease	1	1
5	800-1507	Pin - Upper Sheave	1	1
6	800-1508	Spacer Washer - Upper Sheave	2	4
7†	800-1509	Bearing - Upper Sheave (Includes Outer Race)	1	2
8†	800-1510	Sheave - Upper	1	2
9	800-1535	Pin - Rope Guide	2	2
11	800-1513	Spacer Washer - Lower Sheave	4	6
12†	800-1514	Bearing - Lower Sheave (Includes Outer Race)	2	3
13†	800-1515	Sheave - Lower	2	3
14	800-1516	Pin - Roll, Hook Nut	1	1
15	800-1517	Nut - Hook*	1	1
16†	800-1518	Bearing - Thrust, Hook	1	1
	800-1530	Shield - Bearing (Not Shown)	1	-
	800-1531	Washer - Thrust (Not Shown)	2	-
17	800-1519	Fitting - Grease	1	1
18†	800-1520	Hook Assembly - (includes Hook, Latch & Nut)	1	1
19	800-1521	Plate - Capacity	2	2
20	800-1522	Screw - Round Head, Self-Tapping (Capacity Plate)	4	4
21	800-1523	Guard - Sheave	1	1
22	800-1524	Body - Lower Block	1	1
23	800-1525	Pin - Lower Sheave	1	1
24	800-1526	Screw - Button Head Cap, Self-Locking (Sheave Guard)	4	4
25	800-1527	Ring - Retaining, External	2	2
26	800-1528	Lockwasher - (Capacity Plate)	4	4
27	800-1529	Spacer - Upper Block, 9/16"	2	-

† Recommended Spares

* Hook Nuts with roll pins are not interchangeable - Available only as an assembly

Recommended Spare Parts for Your Shaw-Box Hoist

Certain parts of your hoist will, in time, require replacement under normal wear conditions. It is suggested that the following parts be purchased for your hoist as spares for future use.

- One friction disc kit
- One motor brake solenoid coil
- One set of contactors
- One transformer
- One wire rope assembly
- One gearcase gasket

Note: When ordering parts always furnish Hoist Serial Number, Catalog Number, Motor Horsepower, Voltage, Phase, Frequency and Rated Load of Hoist on which the parts are to be used.

Parts for your hoist are available from your local authorized **Shaw-Box** repair station. For the location of your nearest repair station, write:

IN USA

Yale•Lift-Tech

P.O. Box 769

Muskegon, MI 49443-0769

Phone: **800 742-9269**

Fax: **800 742-9270**

WARRANTY

WARRANTY AND LIMITATION OF REMEDY AND LIABILITY

A. Seller warrants that its products and parts, when shipped, and its work (including installation, construction and start-up), when performed, will meet applicable specifications, will be of good quality and will be free from defects in material and workmanship. All claims for defective products or parts under this warranty must be made in writing immediately upon discovery and in any event, within one (1) year from shipment of the applicable item unless Seller specifically assumes installation, construction or start-up responsibility. All claims for defective products or parts when Seller specifically assumes installation, construction or start-up responsibility and all claims for defective work must be made in writing immediately upon discovery and in any event, within one (1) year from completion of the applicable work by Seller, provided; however, all claims for defective products and parts made in writing no later than eighteen (18) months after shipment. Defective items must be held for Seller's inspection and returned to the original f.o.b. point upon request. THE 'FOREGOING IS EXPRESSLY IN LIEU OF ALL OTHER WARRANTIES WHATSOEVER, EXPRESS, IMPLIED AND STATUTORY, INCLUDING, WITHOUT LIMITATION, THE IMPLIED WARRANTIES OF MERCHANTABILITY AND FITNESS.

B. Upon Buyer's submission of a claim as provided above and its substantiation, Seller shall at its option either (i) repair or replace its product, part or work at either the original f.o.b. point of delivery or at Seller's authorized service station nearest Buyer or (ii) refund an equitable portion of the purchase price.

C. This warranty is contingent upon Buyer's proper maintenance and care of Seller's products, and does not extend to normal wear and tear. Seller reserves the right to void warranty in event of Buyer's use of inappropriate materials in the course of repair or maintenance, or if Seller's products have been dismantled prior to submission to Seller for warranty inspection.

D. The foregoing is Seller's only obligation and Buyer's exclusive remedy for breach of warranty and is Buyer's exclusive remedy hereunder by way of breach of contract, tort, strict liability or otherwise. In no event shall Buyer be entitled to or Seller liable for incidental or consequential damages. Any action for breach of this agreement must be commenced within one (1) year after the cause of action has accrued.

SHAW-BOX®