

TBG/TST Block grabs

Working load limit (WLL) 200 - 1000 kg

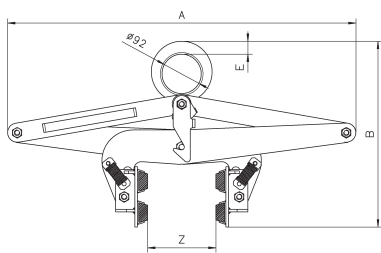
These block grabs are designed to transport any material with parallel surfaces that can withstand a clamping pressure twice as high as the weight of the load being lifted. The range offers jaw capacities from 0 - 1100mm. They are extremely easy and simple to use and make for safe lifting. The TBG has rubber lined jaws and the TST model has serrated steel jaws.

Product group: I4

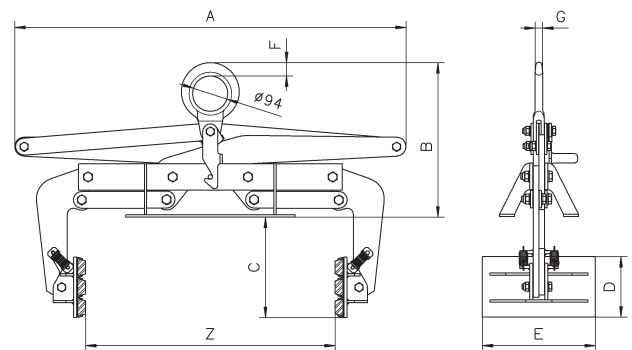


INFO

When using the models fitted with rubber protective lining, it is important that the surfaces are dry, clean and free of oil and grease.



Grab with small jaw capacity



Grab with large jaw capacity

Technical data

Model	Art.-No. TBG rubber lined	Art.-No. TST steel jaw	WLL kg	Jaw capacity mm	Weight kg
TBG/TST500S	N52604009	N4300000396	500	0 - 150	27
TBG/TST1000S	N52604010	N4300000392	1000	50 - 250	50
TBG/TST200L	N52604156	N4300000393	200	200 - 500	49
TBG/TST300L	N52604157	N4300000394	300	400 - 700	52
TBG/TST500L	N52604158	N4300000395	500	600 - 900	55
TBG/TST1000L	N52604159	N4300000391	1000	800 - 1100	72