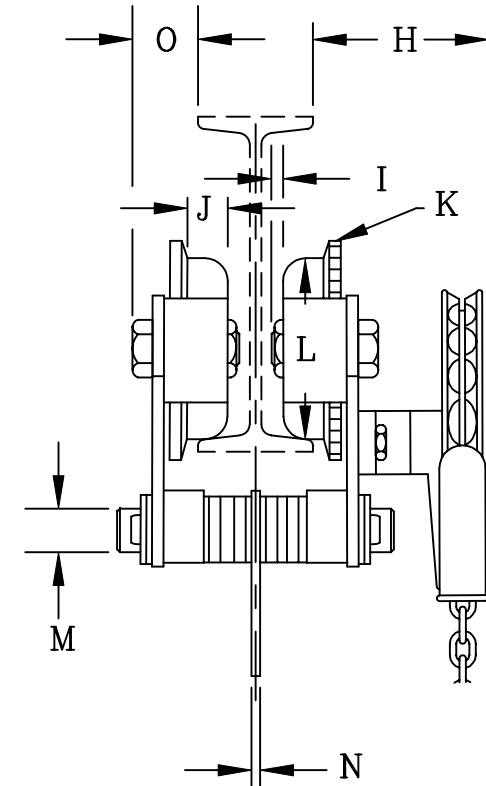
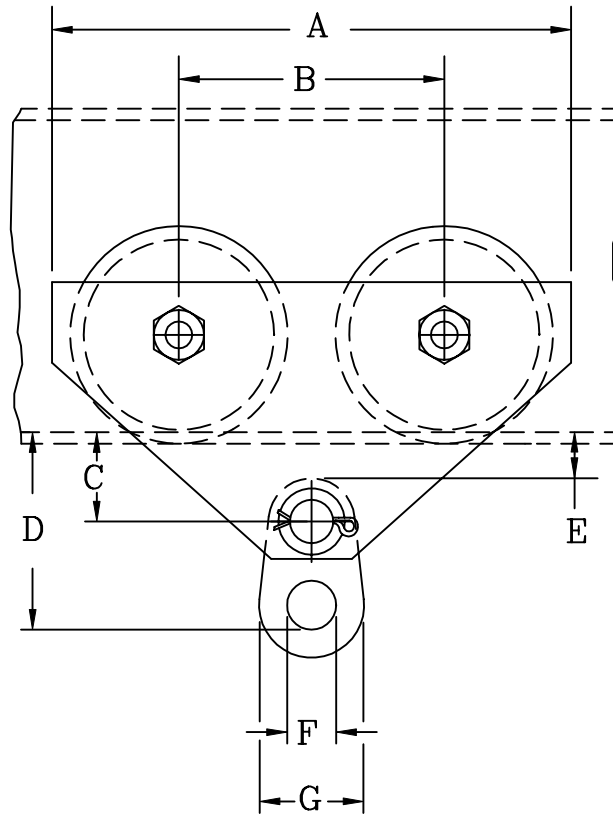


NO. REQ.

- A 23 5/8"
- B 10 5/8"
- *C 3 7/8"
- *D 11 1/8"
- *E 1 3/8"
- F 4 1/2"
- G 8"
- **H 9"
- I 1/8"
- J 1 11/16" Tread width
- K 10" Flange O.D.
- L 8 1/4" Tread O.D.
- M 2 1/2"
- N 1"
- O 3 1/4"



* To wheel running surface of beam.

** "H" applies to geared units only - For plain units o Dim. is the same for both sides of trolley.

THIS UNIT IS ADJUSTABLE FROM 4.62" - 8", MIN. BEAM HEIGHT 10"

CUSTOMER MUST TAKE INTO CONSIDERATION FLANGE WIDTH AND THICKNESS.

		10 & 12 TON 1641/1642 TROLLEY	DR. RLB	TR.	CK.	AP.
			SCALE NONE		DATE	
			REF. DWG. NO. 1600-10			
		CHESTER HOIST LISBON, OHIO	Dwg. No. CD090			
MK.	REVISIONS	CK-DATE				