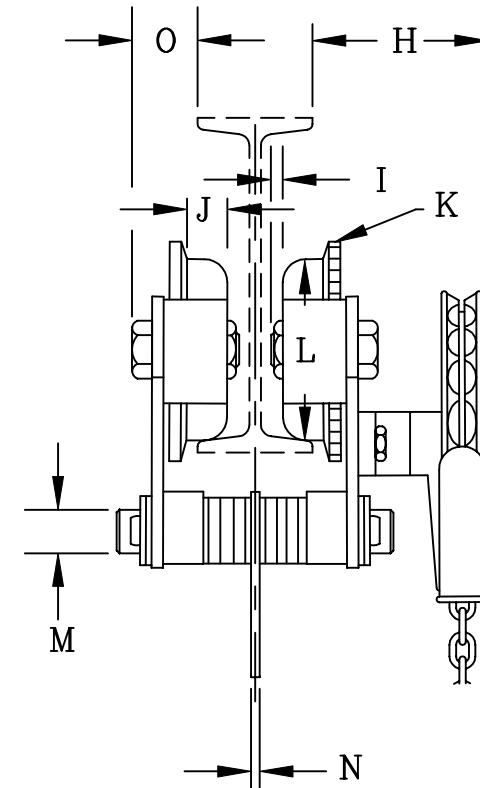
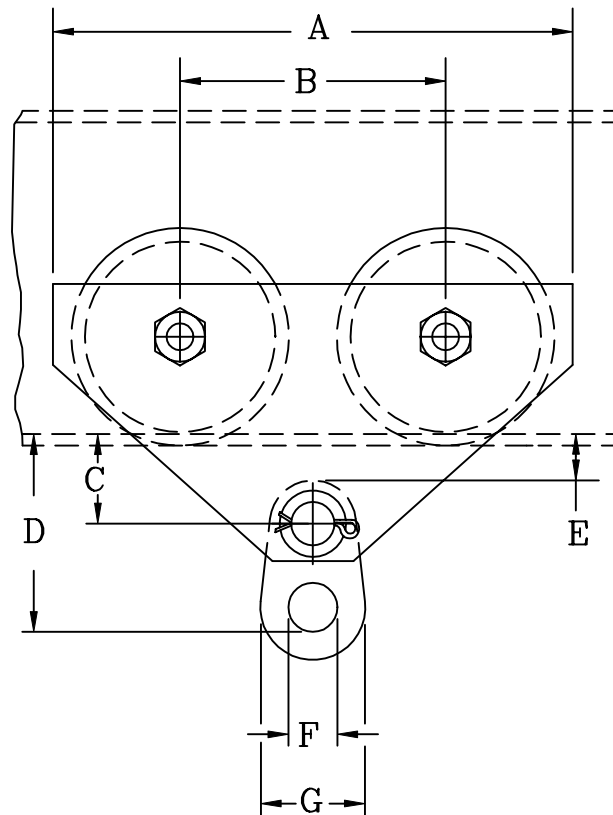


NO. REQ.

A	23 5/8"	
B	10 5/8"	
*C	3 7/8"	
*D	10 5/8"	
*E	1 3/8"	
F	3 1/2"	
G	6 1/2"	
**H	9"	
I	1 1/8"	
J	1 11/16"	Tread width
K	10"	Flange O.D.
L	8 1/4"	Tread O.D.
M	2 1/2"	
N	3/4"	
O	3 1/4"	



* To wheel running surface of beam.

** "H" applies to geared units only - For plain units o Dim. is the same for both sides of trolley.

THIS UNIT IS ADJUSTABLE FROM 4.62" - 8", MIN. BEAM HEIGHT 10"

CUSTOMER MUST TAKE INTO CONSIDERATION FLANGE WIDTH AND THICKNESS.

MK.	REVISIONS	CK-DATE

8 TON 1641/1642 TROLLEY

CHESTER HOIST
LISBON, OHIO

DR. RLB	TR.	CK.	AP.
SCALE NONE		DATE	
REF. DWG. NO. 1600-8			
Dwg. No. CD089			