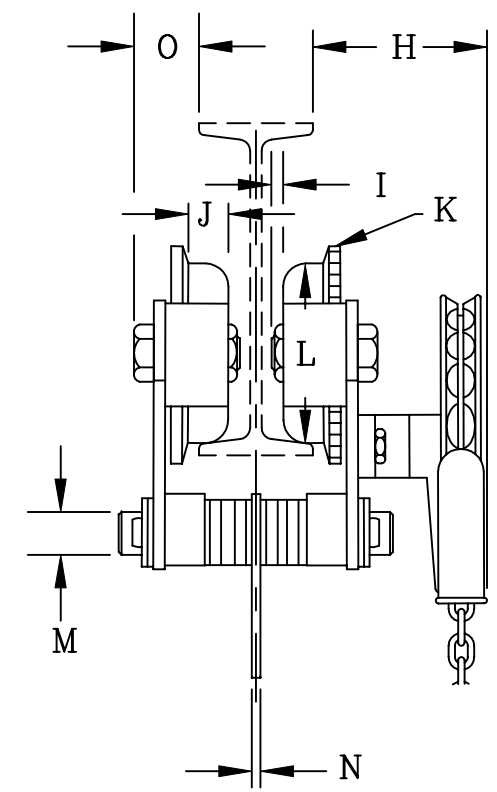
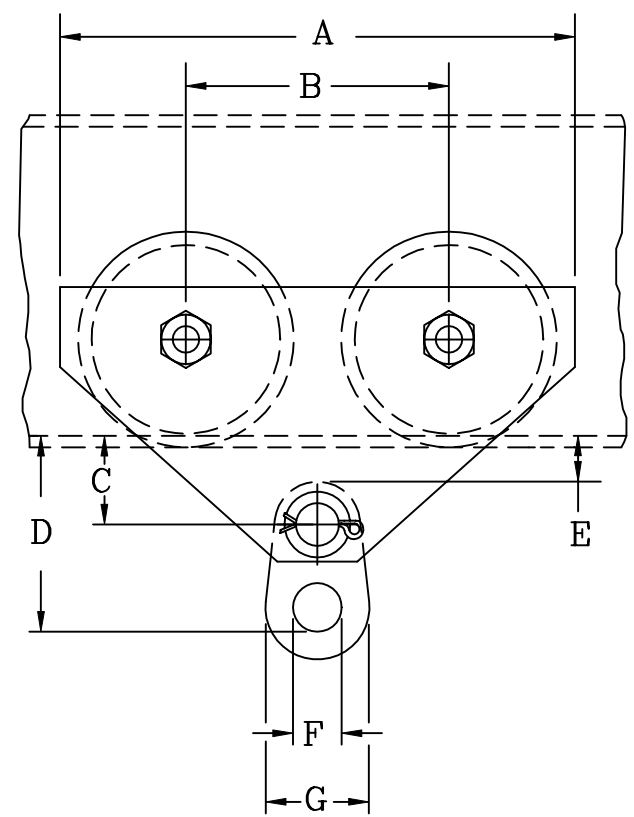


NO. REQ.

- A 13 1/4"
- B 6 3/4"
- *C 2 1/4"
- *D 5 5/8"
- *E 1"
- F 2"
- G 3 1/4"
- **H 6 1/8"
- I 0"
- J 1 1/8" Tread width
- K 5" Flange O.D.
- L 3 3/4" Tread O.D.
- M 1 1/4"
- N 3/8"
- O 1 3/4"



* To wheel running surface of beam.
 ** "H" applies to geared units only - For plain units o Dim. is the same for both sides of trolley.
 THIS UNIT IS ADJUSTABLE FROM 3" - 6", MIN. BEAM HEIGHT 5"
 CUSTOMER MUST TAKE INTO CONSIDERATION FLANGE WIDTH AND THICKNESS.

MK.	REVISIONS	CK-DATE

1 1/2 TON 1641/1642 TROLLEY

CHESTER HOIST
LISBON, OHIO

DR. RLB	TR.	CK.	AP.
SCALE NONE		DATE	
REF. DWG. NO. 1600-1-5			
Dwg. No. CD084			