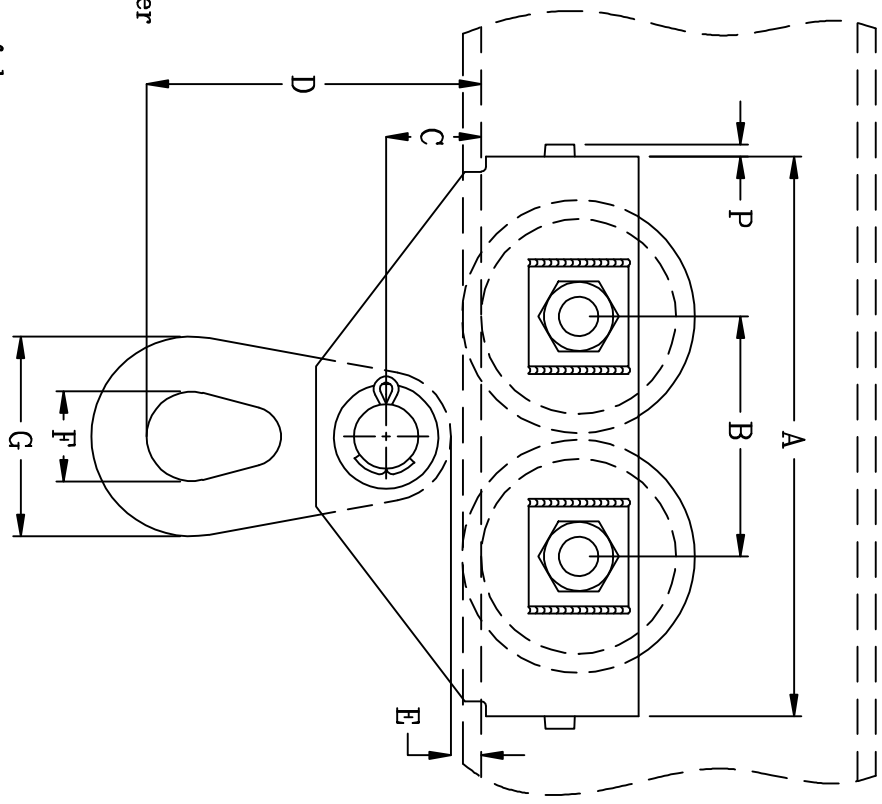


# SPARK RESISTANT

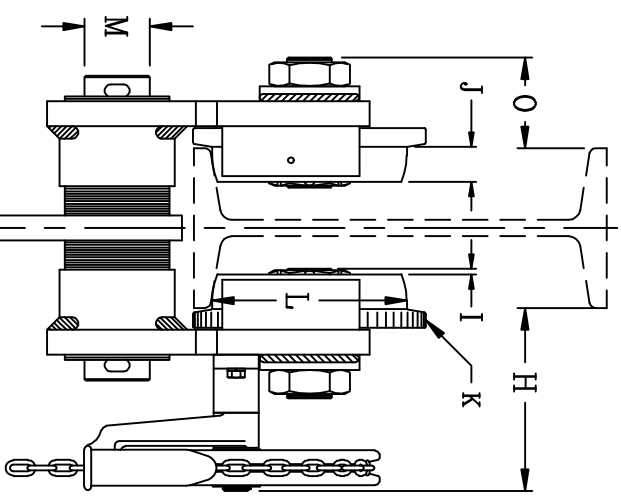
- BRONZE WHEELS
- STAINLESS STEEL DROP STOPS
- ALUMINUM HAND CHAIN & HAND CHAIN GUARD

NO. REQ. 1



A	28"
B	12"
*C	4 3/4"
*D	16 3/4"
*E	1 1/2"
F	4 1/2"
G	10"
**H	9 3/16"
I	9/32"
J	1 3/4"
K	11 11/16"
L	9 3/4"
M	3 1/4"
N	1 1/4"
O	4 9/16"
P	5/8"

\* To wheel running surface of beam.  
 \*\* "H" applies to geared units only - For plain units "O" dimension is the same for both sides of trolley.  
 ~ "P" applies only to units with removable rubber bumpers  
 THIS UNIT IS ADJUSTABLE FROM 6"-8", MINIMUM BEAM HEIGHT: 12"  
 CUSTOMER MUST TAKE INTO CONSIDERATION FLANGE WIDTH AND THICKNESS.



MK	
REVISIONS	CK-DATE

20 TON 1641/1642 TROLLEY  
 CHESTER HOIST  
 LISBON, OHIO

DR. MAM	TR.	CK.	AP.
SCALE NONE	DATE 3/2/09		
REF. DWG. NO. 1600-20			
Dwg. No. C-50052			