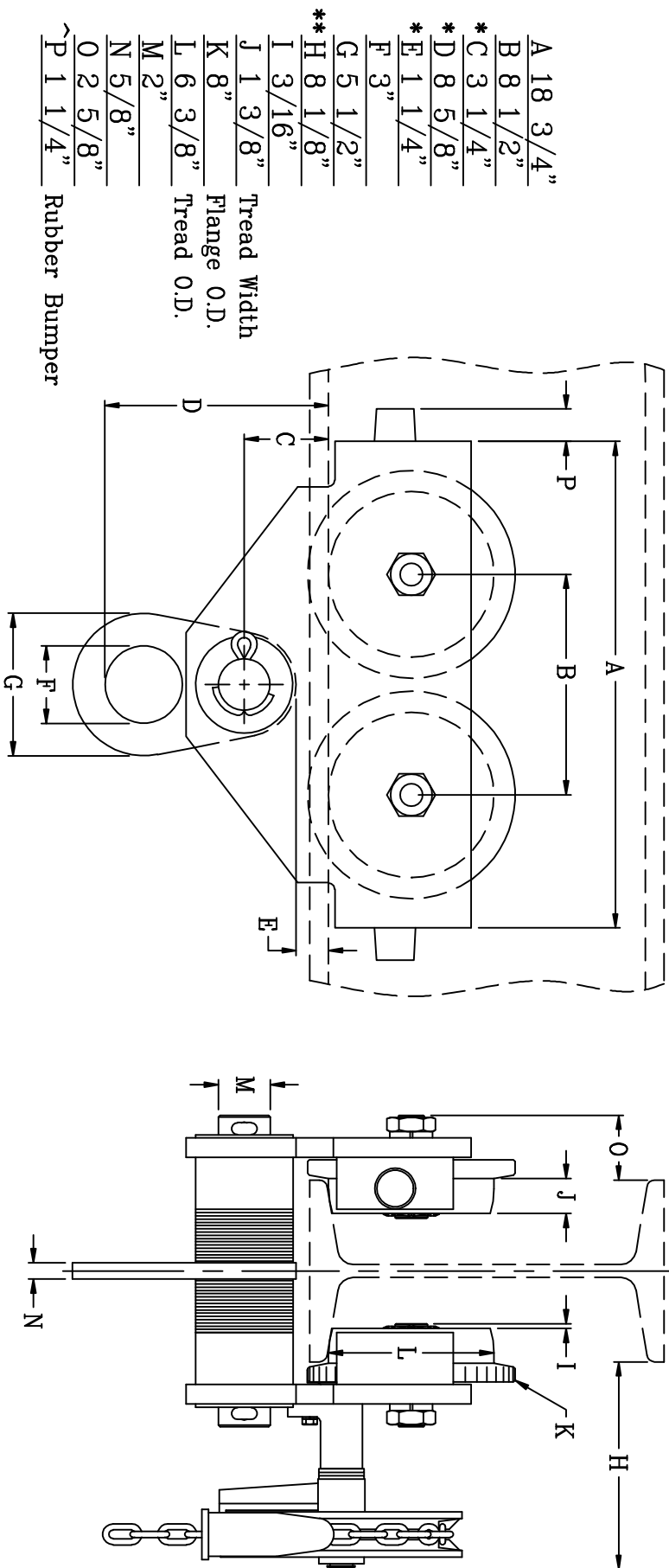


SPARK RESISTANT

- BRONZE WHEELS
- STAINLESS STEEL DROP STOPS
- ALUMINUM HAND CHAIN & HAND CHAIN GUARD

NO. REQ. 1



A	18 3/4"
B	8 1/2"
*C	3 1/4"
*D	8 5/8"
*E	1 1/4"
F	3"
G	5 1/2"
**H	8 1/8"
I	3/16"
J	1 3/8"
K	8"
L	6 3/8"
M	2"
N	5/8"
O	2 5/8"
~P	1 1/4"

Tread Width
Flange O.D.
Tread O.D.

Rubber Bumper

* To wheel running surface of beam.
 ** "H" applies to geared units only - For plain units "O" dimension is the same for both sides of trolley.
 ~ "P" applies only to units with removable rubber bumpers
 THIS UNIT IS ADJUSTABLE FROM 4"-7", MINIMUM BEAM HEIGHT: 8"
 CUSTOMER MUST TAKE INTO CONSIDERATION FLANGE WIDTH AND THICKNESS.

5 & 6 TON 1641/1642 TROLLEY

CHESTER HOIST

LISBON, OHIO

DR. MAM TR. CK. AP.

SCALE NONE DATE 3/2/09

REF. DWG. NO. 1600-5

Dwg. No. C-50048

REVISIONS CK-DATE