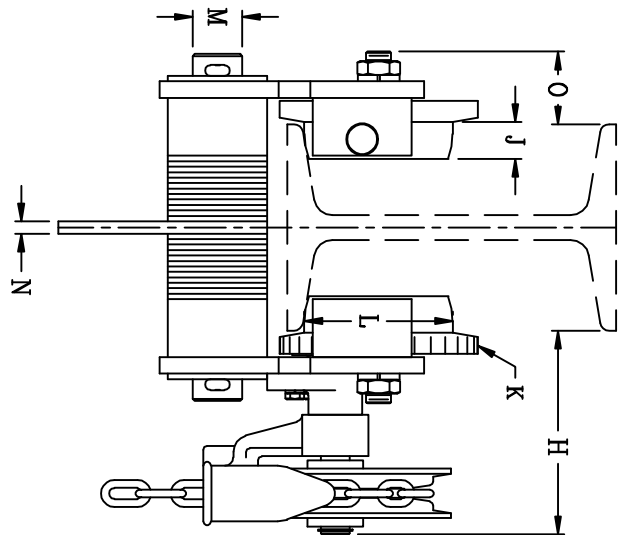
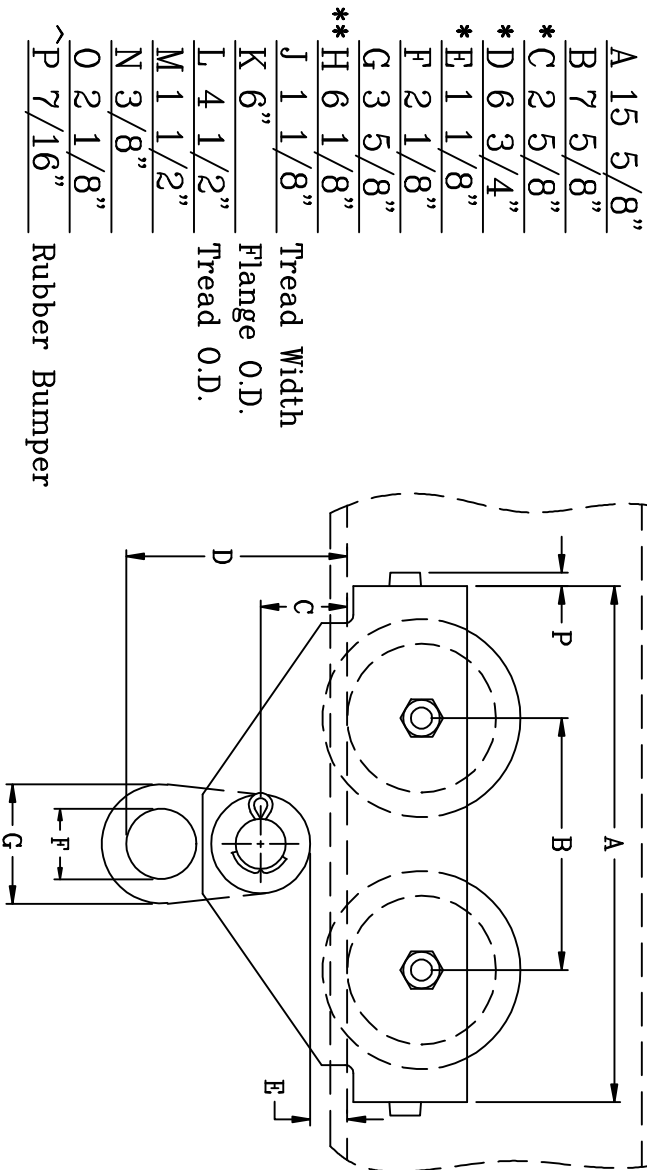


# SPARK RESISTANT

- BRONZE WHEELS
- STAINLESS STEEL DROP STOPS
- ALUMINUM HAND CHAIN & HAND CHAIN GUARD

NO. REQ. 1



- A 15 5/8"
- B 7 5/8"
- \* C 2 5/8"
- \* D 6 3/4"
- \* E 1 1/8"
- F 2 1/8"
- G 3 5/8"
- \*\* H 6 1/8"
- J 1 1/8" Tread Width
- K 6" Flange O.D.
- L 4 1/2" Tread O.D.
- M 1 1/2"
- N 3/8"
- O 2 1/8"
- ~ P 7/16" Rubber Bumper

\* To wheel running surface of beam.  
 \*\* "H" applies to geared units only - For plain units "O" dimension is the same for both sides of trolley.  
 ~ "P" applies only to units with removable rubber bumpers  
 THIS UNIT IS ADJUSTABLE FROM 3.33" - 6.25", MINIMUM BEAM HEIGHT 6"  
 CUSTOMER MUST TAKE INTO CONSIDERATION FLANGE WIDTH AND THICKNESS.

MR.		CK-DATE	
REVISIONS			
2 TON 1641/1642 TROLLEY		DR. MAM	TR.
CHESTER HOIST		SCALE NONE	CK.
LISBON, OHIO		REF. DWG. NO. 1600-2	AP.
		DATE 3/2/09	
Dwg. No. C-50045			