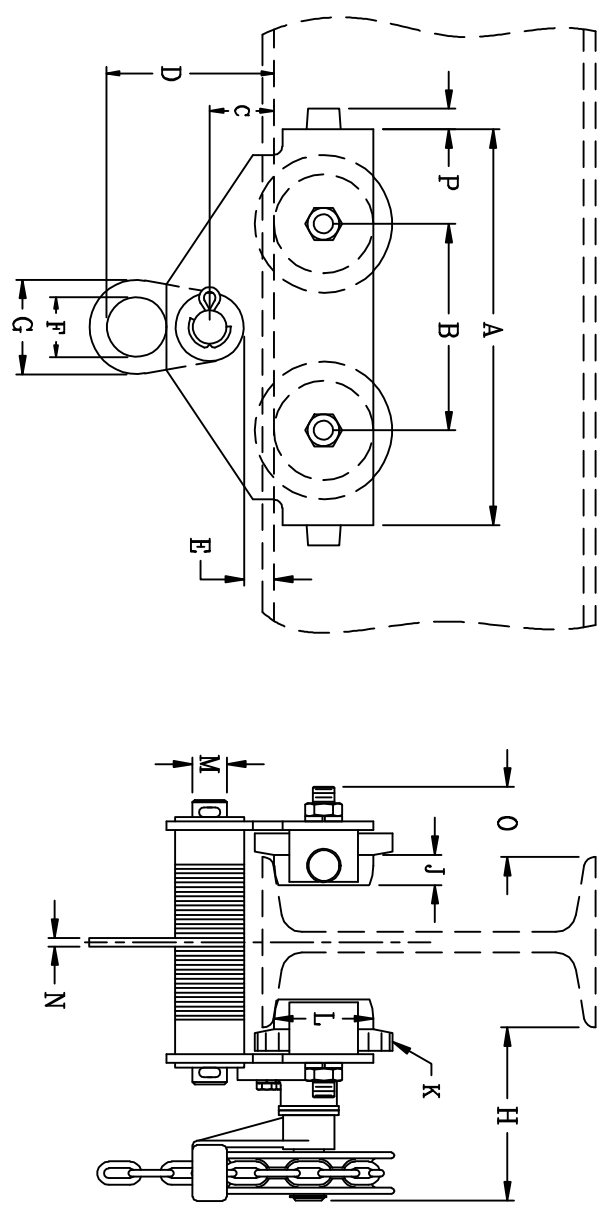


SPARK RESISTANT

- BRONZE WHEELS
- STAINLESS STEEL DROP STOPS
- ALUMINUM HAND CHAIN & HAND CHAIN GUARD

NO. REQ. 1



A	11 1/2"	
B	6"	
*C	1 7/8"	Tread Width
*D	4 7/8"	Flange O.D.
*E	7/8"	Tread O.D.
F	1 3/4"	
G	2 3/4"	
**H	5 1/8"	
J	7/8"	
K	4"	
L	2 7/8"	
M	1"	
N	1 1/4"	
O	2 1/16"	
~P	5/8"	Rubber Bumper

* To wheel running surface of beam.
 ** "H" applies to geared units only - For plain units "O" dimension is the same for both sides of trolley.
 ~ "P" applies only to units with removable rubber bumpers
 THIS UNIT IS ADJUSTABLE FROM 2.66"-5", MINIMUM BEAM HEIGHT: 4"
 CUSTOMER MUST TAKE INTO CONSIDERATION FLANGE WIDTH AND THICKNESS.

MR.	
REVISIONS	CK-DATE

1/4 & 1/2 TON 1641/1642 TROLLEY
CHESTER HOIST
 LISBON, OHIO

DR. MAM	TR.	CK.	AP.
SCALE NONE		DATE 3/2/09	
REF. DWG. NO. 1600-HALF			
Dwg. No. C-50042			