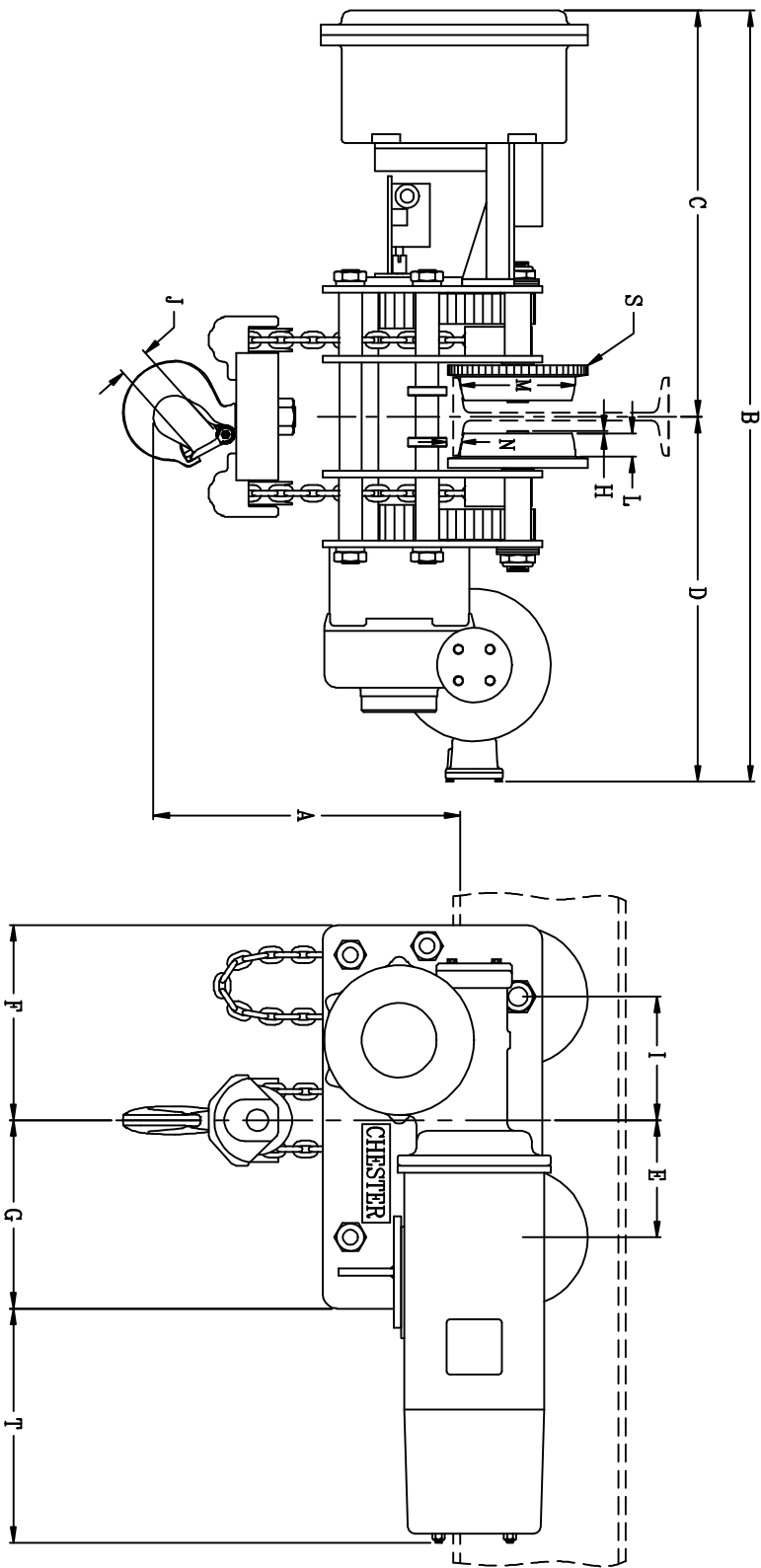


SPARK RESISTANT
 -BRONZE HOOK
 -STAINLESS STEEL CHAIN



* A	14 13/16"
B	55 5/16"
C	29 1/8"
D	26 3/16"
E	8 3/8"
F	14"
G	13 1/2"
H	3/16"
I	8 7/8"
J	3"
L	1 11/16"
M	8 1/4"
N	1"
R	xx
S	10"
T	16 13/16"

* TO WHEEL RUNNING SURFACE OF BEAM
 # TO UNDER BEAM ROLLER - (CLOSEST POINT OF CONTACT)
 FROM THE FACE OF THE WHEEL TO END OF THE AXLE
 CUSTOMER MUST TAKE INTO CONSIDERATION FLANGE WIDTH AND THICKNESS OF BEAM
 DIMENSIONS SHOWN ARE CORRECT FOR ANY "S" OR "W" BEAM, PLAIN, HAND GEARED OR MOTORIZED TROLLEY.
 NOTE: THIS UNIT OPERATES ONLY ON THE BEAM SPECIFIED

6 TON ELECTRIC LOW HEADROOM HOIST

CHESTER HOIST
 LISBON, OHIO

DR. MAM	TR.	CK.	AP.
SCALE NONE		DATE 9/3/08	

REF. DWG. NO.

Dwg. No. C-49206

REVISIONS

CK-DATE

MK.