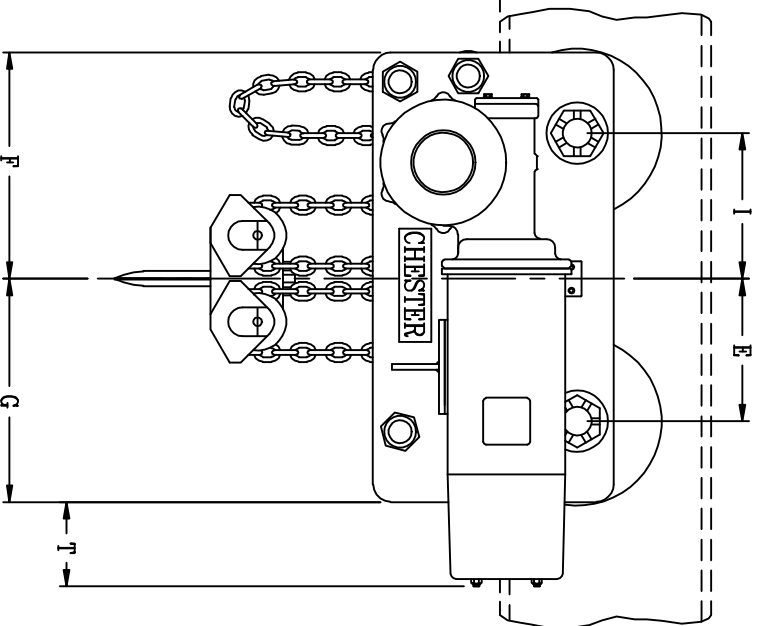
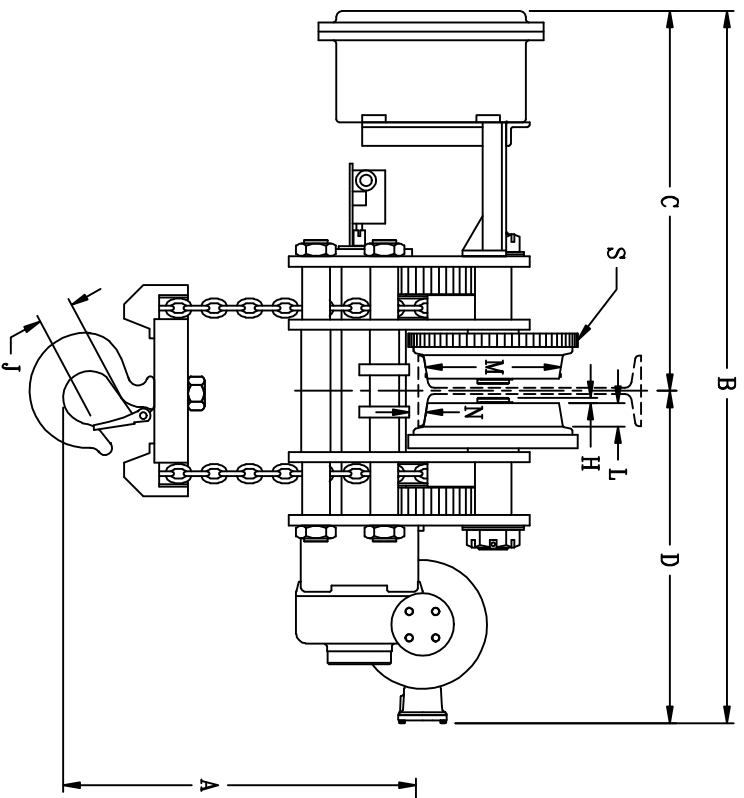


SPARK RESISTANT[™]
-BRONZE HOOK
-STAINLESS STEEL CHAIN

PC# 4

NO. REQ. 1



A	22 1/8"
B	60 9/16"
C	32 5/16"
D	28 1/4"
E	12 1/8"
F	19 1/4"
G	19"
H	7/16"
I	12 3/8"
J	4"
L	2"
M	11 3/4"
#*N	1 3/16"
R	6 5/8"
S	14 13/32"
T	7 3/16"

* TO WHEEL RUNNING SURFACE OF BEAM
TO UNDER BEAM ROLLER - (CLOSEST POINT OF CONTACT)
CUSTOMER MUST TAKE INTO CONSIDERATION FLANGE WIDTH AND THICKNESS OF BEAM
DIMENSIONS SHOWN ARE CORRECT FOR ANY "S" OR "W" BEAM, PLAIN, HAND GEARED OR MOTORIZED TROLLEY.
FLAT TREAD WHEELS, NOT SHOWN, ARE SUPPLIED FOR "W" BEAM APPLICATIONS
NOTE: THIS UNIT OPERATES ONLY ON THE BEAM SPECIFIED

24 TON ELECTRIC LOW HEADROOM HOIST

CHESTER HOIST

LISBON, OHIO

DR. MAM	TR.	CK.	AP.
SCALE NONE		DATE 9/25/08	

REF. DWG. NO.

Dwg. No. C-49229

REVISIONS

CK-DATE

MK.