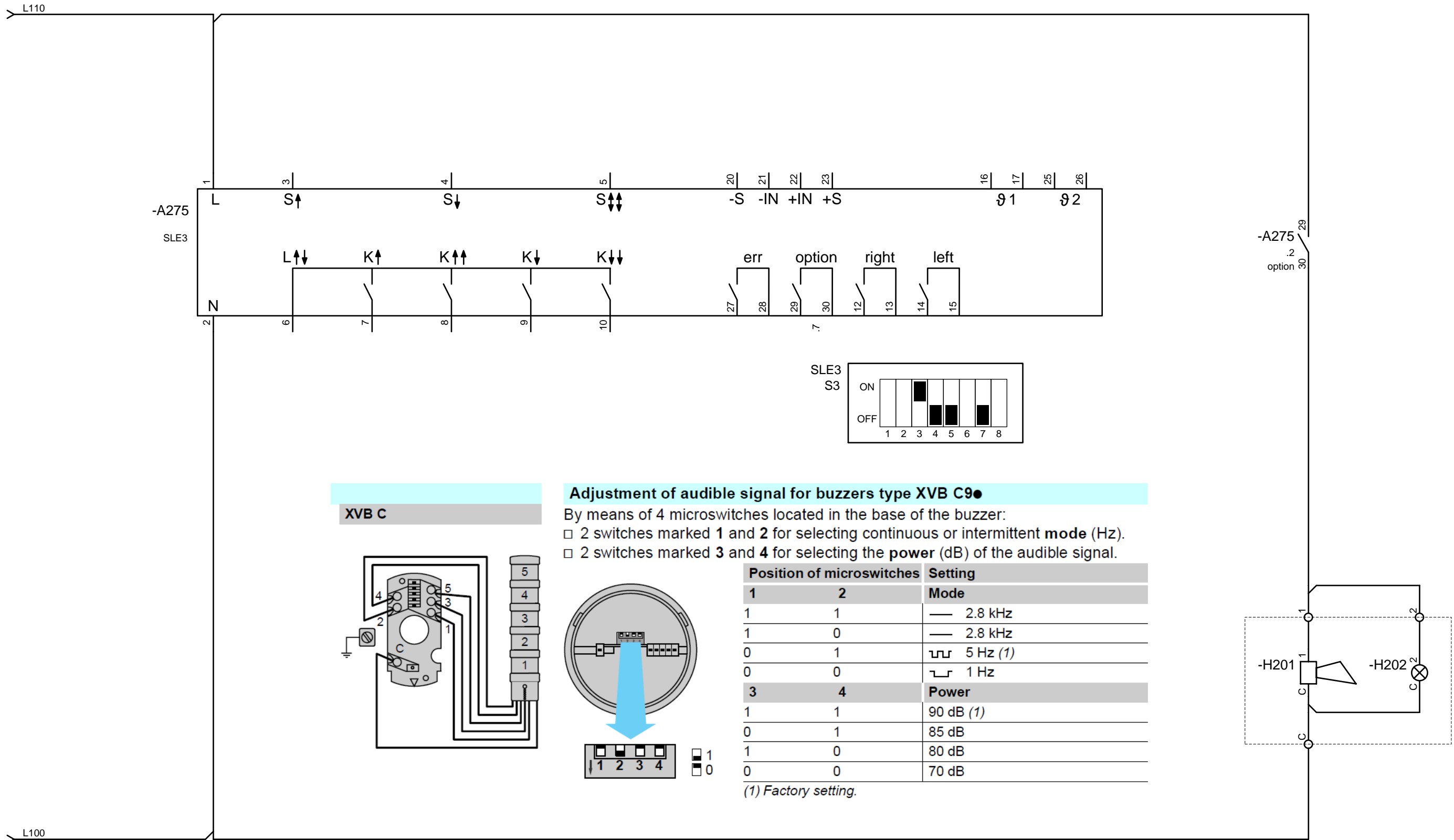


# Relay - option

Wiring (relay „option”) for light and horn at overload (Hoist with 2 speed hoisting)  
 (Schematic if relay option is not used for other function)



**XVB C**

**Adjustment of audible signal for buzzers type XVB C9●**

By means of 4 microswitches located in the base of the buzzer:

- 2 switches marked 1 and 2 for selecting continuous or intermittent **mode** (Hz).
- 2 switches marked 3 and 4 for selecting the **power** (dB) of the audible signal.

Position of microswitches		Setting
<b>1</b>	<b>2</b>	<b>Mode</b>
1	1	— 2.8 kHz
1	0	— 2.8 kHz
0	1	⏏ 5 Hz (1)
0	0	⏏ 1 Hz
<b>3</b>	<b>4</b>	<b>Power</b>
1	1	90 dB (1)
0	1	85 dB
1	0	80 dB
0	0	70 dB

(1) Factory setting.

