

Drawing number**03 438 23 13 0**

Stromlaufplan

Control / Steuerung	SH3	
Hoist Motor / Hubmotor	12/2H33, 12/2H42	
Type / Ausführung	A (control with transformer + main contactor)	
Overload Device / Lastwächter	SLE3	
Voltage / Spannung	208-230V / 110/120V 60Hz	
Fuses / Sicherungen	F41-43	10A Class CC
	F101-102	1A Class CC
Fuses / Sicherungen by customer / bauseits	main fuse	30A Class CC

Document Dokument	Sheet Blatt
BILL OF MATERIALS GERÄTELISTE	1 (1)
POWER SUPPLY STROMVERSORGUNG	1 (10)
HOIST HUBWERK	2 (10)
TROLLEY FAHRWERK	4 (10)
CONTROL PENDANT STEUERGERÄT	6 (10)
TERMINAL DIAGRAM X16 KLEMMENPLAN X16	7 (10)
LOCATION DIAGRAM A16 AUFBAUPLAN A16	9 (10)
CABEL DIAGRAM KABELPLAN	10 (10)

Date / Datum	Dept. / Abteilung	Designer / Bearbeiter	Page / Seite
13.03.2019	G-Plattform	Schnell	1/1

BILL OF MATERIALS

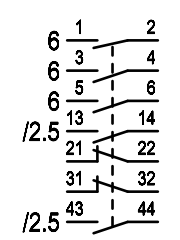
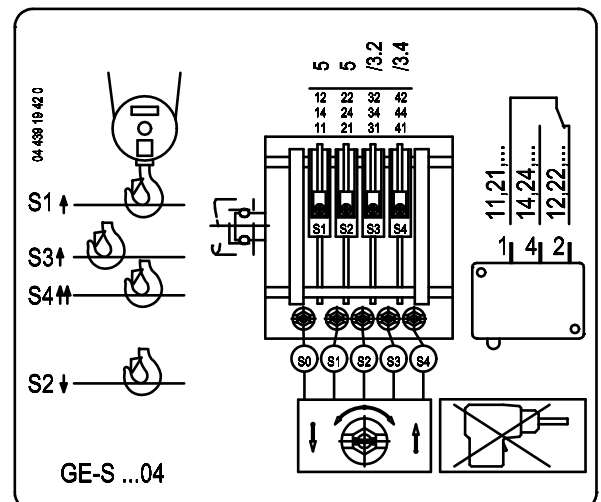
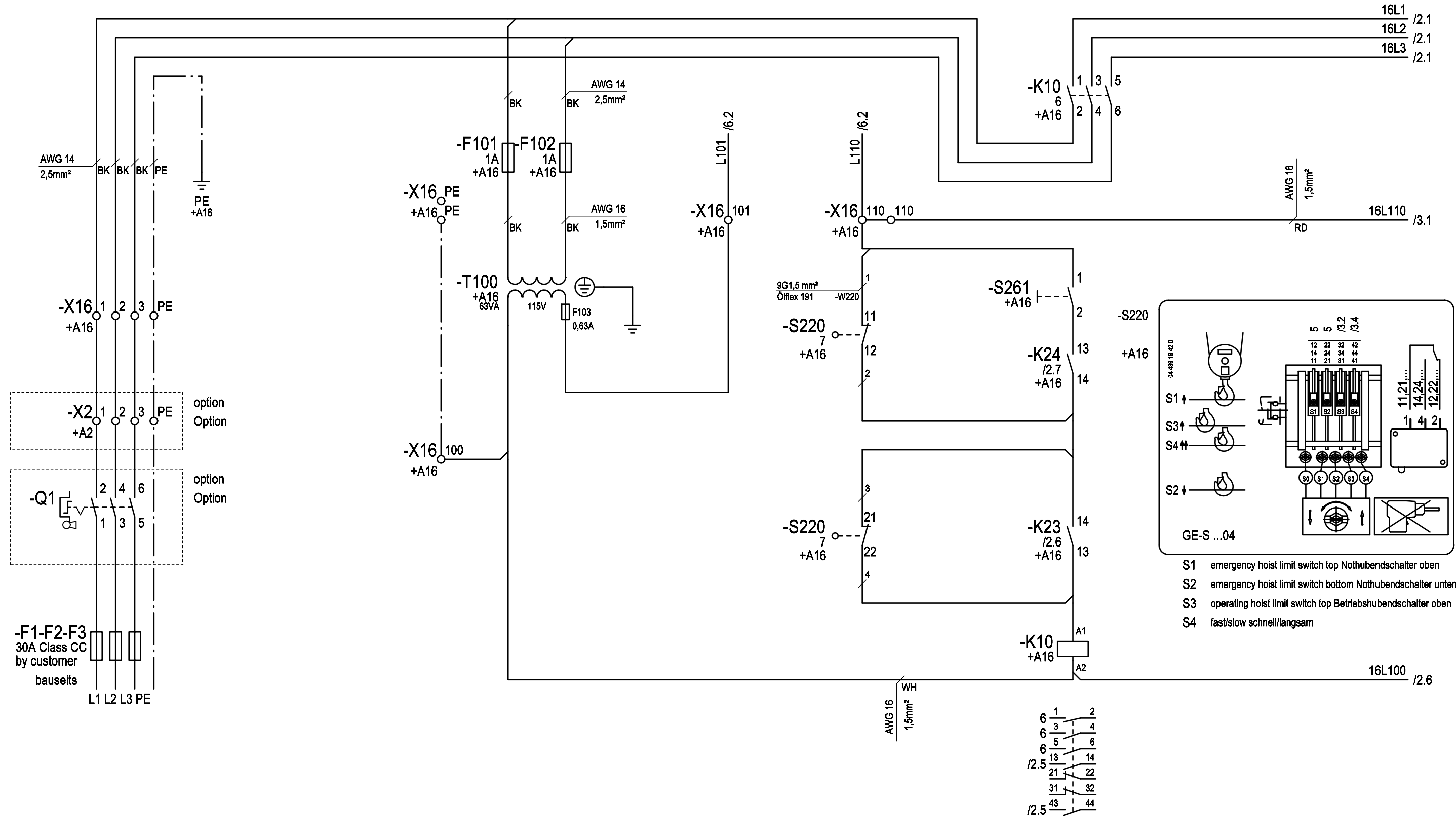
Lokcat. Ort	Refer. Referenz	Qty. Anzahl	Spezifikation Typ	Discription Benennung	Fabricate Hersteller	Item Code Sach-Nr.
+A16	-A275	1	SLE3 110/120V	OVERLOAD DEVICE LASTWÄCHTER		579 770 0
+A16	-F41-F43	3	USBCC1	FUSE HOLDER SICHERUNGSTRENNER	FERRAZ	510 078 0
		3	ATDR10 10x38 10A	FUSE LINK SCHMELZEINSATZ	FERRAZ	510 084 0
+A16	-F101-F102	2	USBCC1	FUSE HOLDER SICHERUNGSTRENNER	FERRAZ	510 078 0
		2	ATDR1 10x38 1A	FUSE LINK SCHMELZEINSATZ	FERRAZ	510 466 0
+A16	-G21	1	1/024.000.6 3A	RECTIFIER GLEICHRICHTER	MAYR	04 430 00 88 0
+A16	-K10	1	LC1-D25 G7	CONTACTOR SCHÜTZ	SCHNEIDER	582 043 0
		1	LAD-N11G	AUXILIARY CONTACT BLOCK HILFSSCHALTERBLOCK	SCHNEIDER	582 069 0
+A16	-K23-K24	2	LC1-D25 G7	CONTACTOR SCHÜTZ	SCHNEIDER	582 043 0
		2	LAD-N22G	AUXILIARY CONTACT BLOCK HILFSSCHALTERBLOCK	SCHNEIDER	582 072 0
+A16	-K25	1	LC1-D258 G7	CONTACTOR SCHÜTZ	SCHNEIDER	582 047 0
+A16	-K41-K42	1	LC2-K09 G7	CONTACTOR SCHÜTZ	SCHNEIDER	579 472 0
+A16	-K45	1	LC1-K09008 G7	CONTACTOR SCHÜTZ	SCHNEIDER	579 473 0
+A16	-S220	1	GE-S125.04	GEAR-TYPE LIMIT SWITCH GETRIEBEENDSCHALTER	STROMAG	580 005 0
+A16	-S260/-S261	2	E 215-16-11B	PUSH BUTTON DRUCKTASTER	ABB	578 553 0
+A16	-T100	1	RSTN 63-UL-CSA 208-220-230V / 115V	TRANSFORMER TRANSFORMATOR	RIEDEL	579 580 0
+A16	-X16	1	WPE16	PE-TERMINAL SCHUTZLEITERKLEMME	WEIDMUELLER	519 518 0
		3	WDU16	TERMINAL KLEMME	WEIDMUELLER	519 513 0
		1	WPE10	PE-TERMINAL SCHUTZLEITERKLEMME	WEIDMUELLER	519 517 0
		6	WDU4/ZR	TERMINAL KLEMME	WEIDMUELLER	519 522 0
		3	A2C 2.5 PE	PE-TERMINAL SCHUTZLEITERKLEMME	WEIDMUELLER	519 634 0
		16	A2C 2.5	TERMINAL KLEMME	WEIDMUELLER	519 633 0
+A16	-X16.1	2	A2C 2.5 PE	PE-TERMINAL SCHUTZLEITERKLEMME	WEIDMUELLER	519 634 0
		7	A2C 2.5	TERMINAL KLEMME	WEIDMUELLER	519 633 0
+TR1	-B275	1		LOAD SENSOR LASTSENSOR		
+TR1	-M21	1		HOIST MOTOR HUBMOTOR		
+TR1	-M41	1		TROLLEY MOTOR KATZFAHRMOTOR		
+TR1	-S228	1		BLOCK OPERATED UPPER LIMT SWITCH ENDSCHALTER (US)		
+TR1	-S420	1		TROLLEY LIMIT SWITCH KATZFAHRENDSCHALTER		

power supply
Netzanschluss

control transformer
Steuertransformator

emergency hoist limit switch
Nothubendschalter

crane switch
Kranschalter



Changes	Date	Name	Date	Name
	13.03.19	Schnell	23.10.17	Huhnd.
			24.10.17	Schnell
			24.10.17	Huhnd.
Rev.		Plot	12.03.2019	Rep. by

Rep. for	Origin
----------	--------

Copyright according to DIN ISO 16016	circuit diagram SH3 H33/H42 type A SLE3 power supply
Order No.	Serial No. xxxxxx

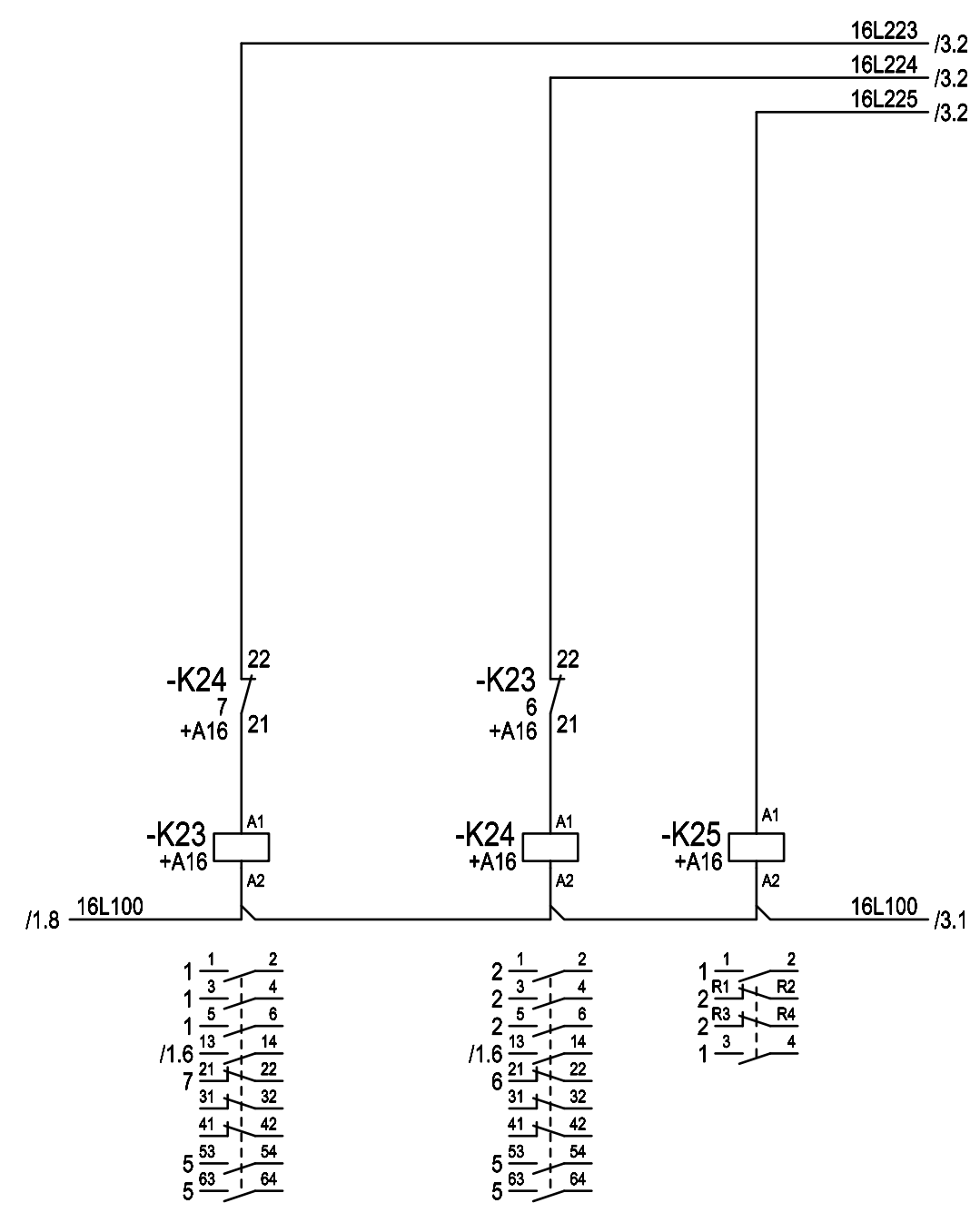
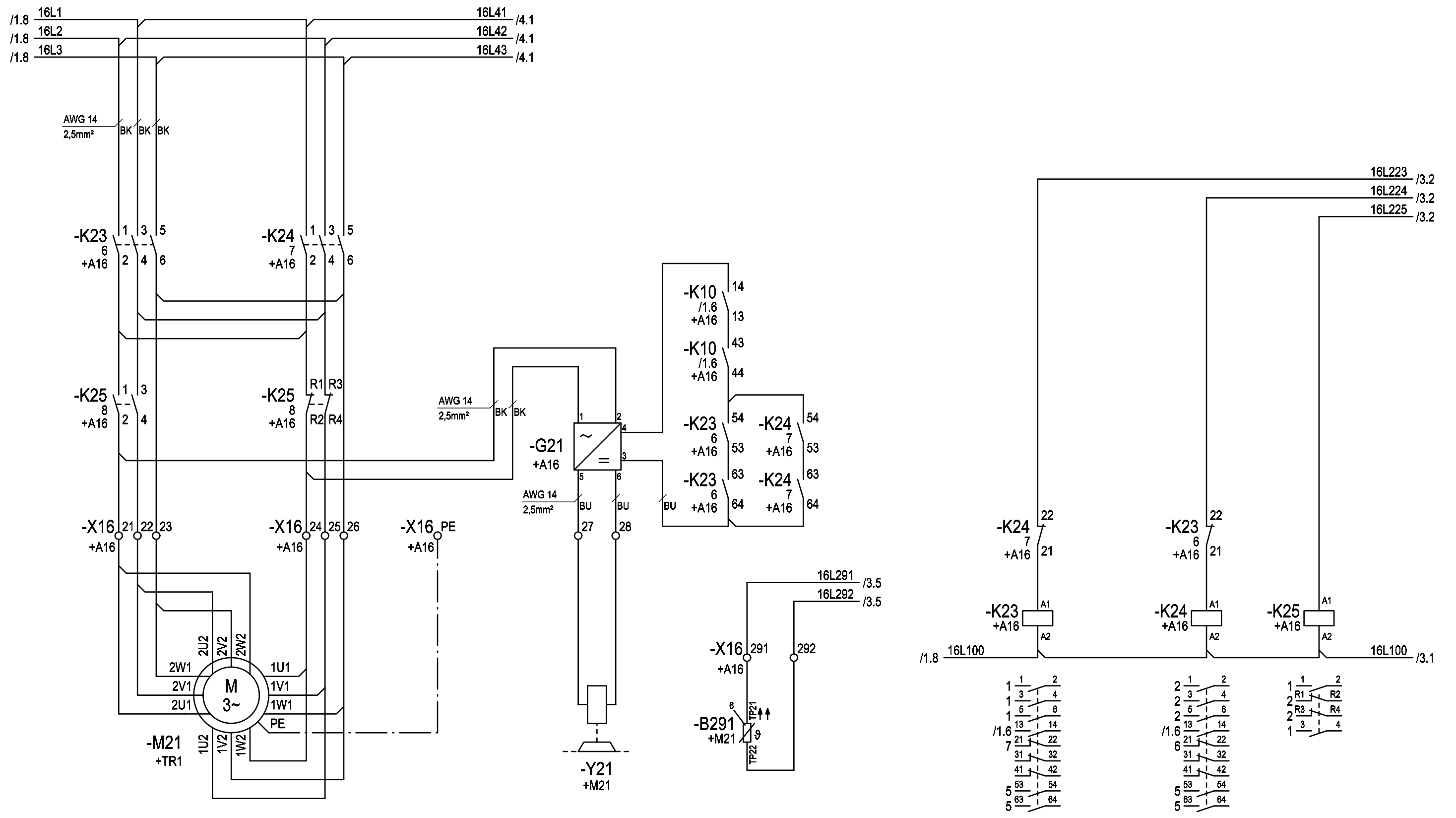
=	
+	
03 438 23 13 0	Page: 1 of: 10

hoist motor
Hubmotor

hoisting
heben

lowering
senken

fast
schnell



Changes	Date	Name	Date	Name
	13.03.19	Schnell	23.10.17	Huhnd.
			24.10.17	Schnell
			24.10.17	Huhnd.

Rep. by	Rep. for	Origin
---------	----------	--------

Copyright according to DIN ISO 16016	circuit diagram SH3 H33/H42 type A SLE3 hoisting
Order No.	Serial No. xxxxxx

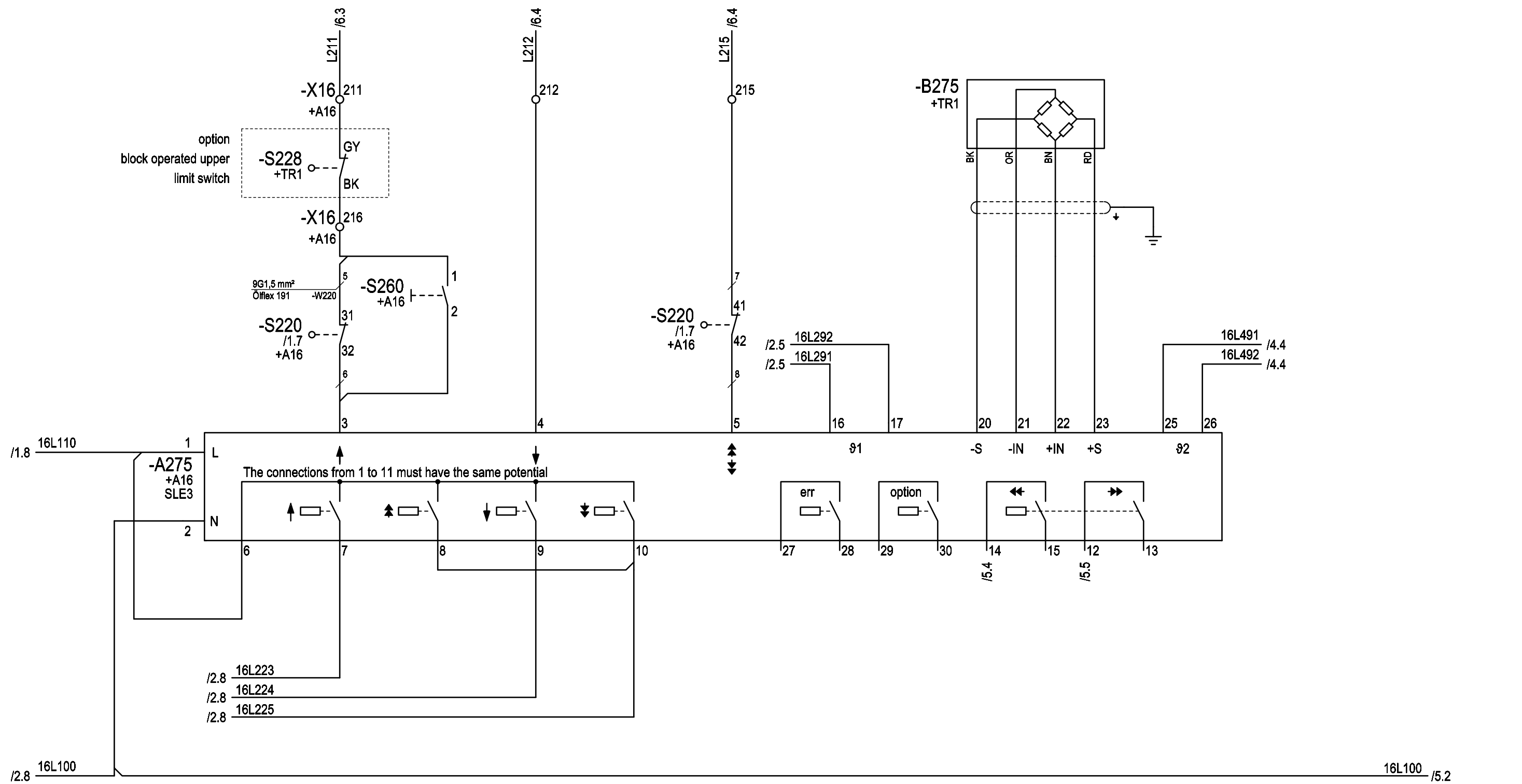
=	
+	
03 438 23 13 0	Page: 2 of: 10

hoisting
heben

lowering
senken

fast
schnell

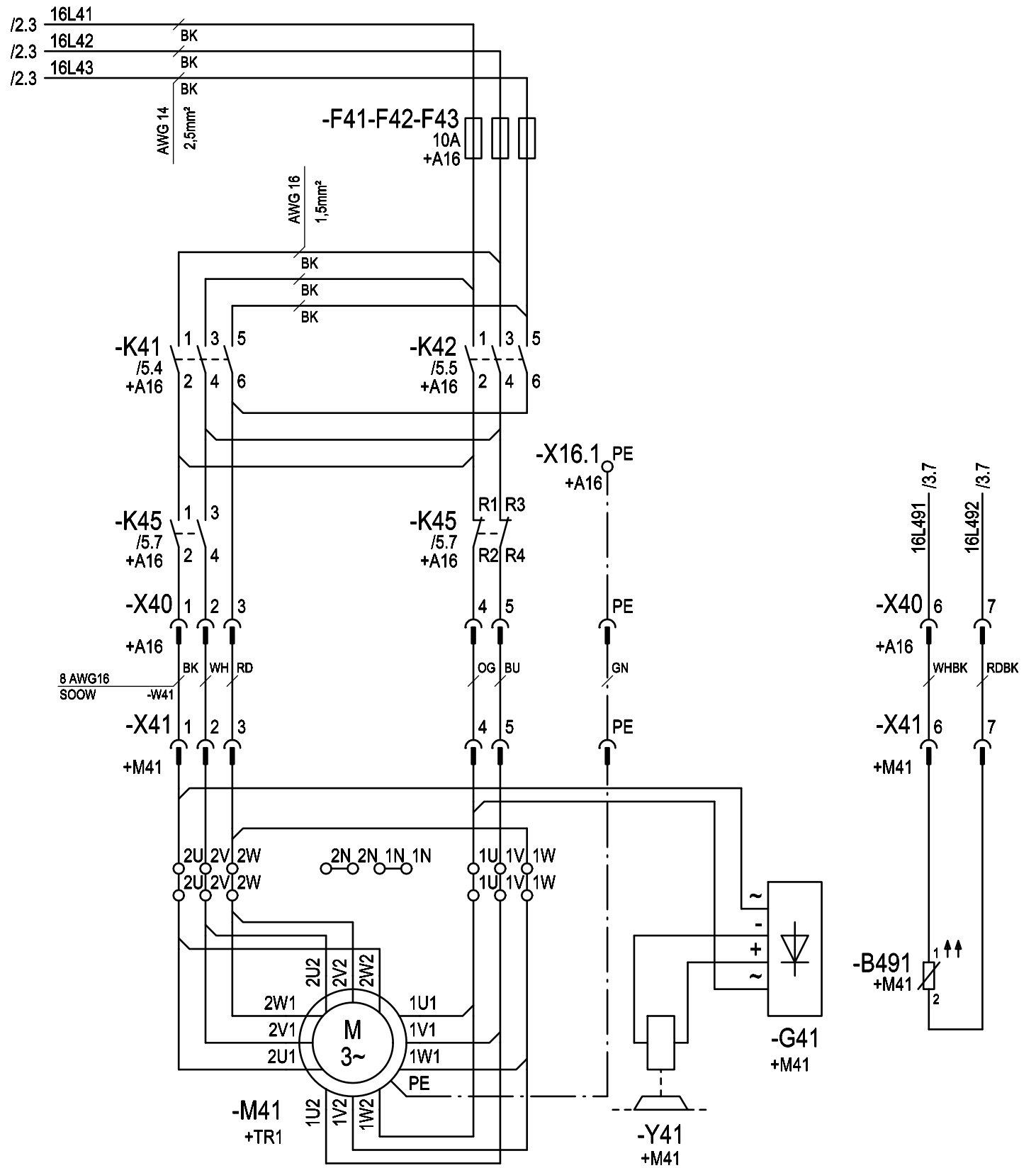
temperature / load monitoring
Temperatur- / Lastüberwachung



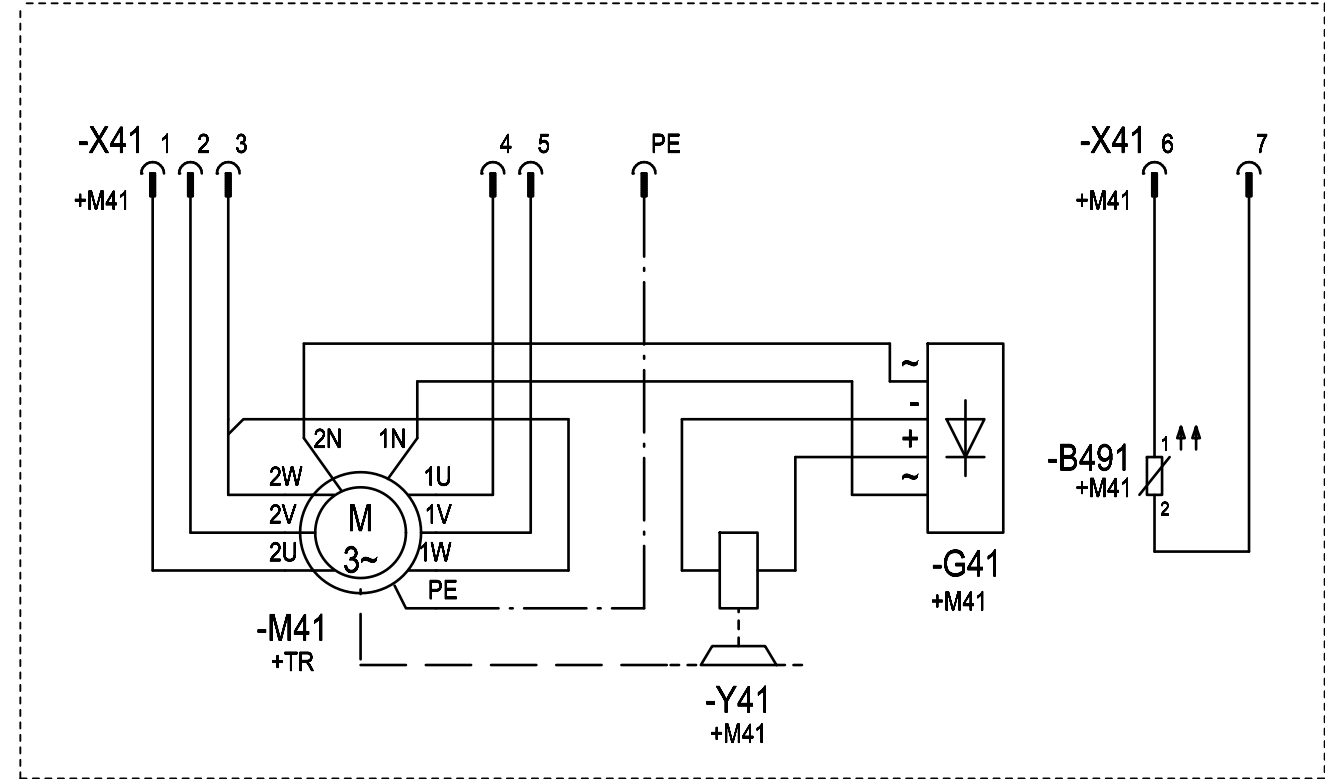
16L100 /5.2

Changes	Date	Name	Date	Name	Copyright according to DIN ISO 16016	Order No.	Serial No. xxxxxx	Page: 3 of: 10
	13.03.19	Schnell	23.10.17	Huhnd.	circuit diagram SH3 H33/H42 type A SLE3 hoisting	=	03 438 23 13 0	
			24.10.17	Schnell				
			24.10.17	Huhnd.				
Rev.			Plot	12.03.2019	Rep. by	Rep. for	Origin	

cross travel motor
Katzfahrmotor



Note! Connection at 208V supply voltage.
Hinweis! Anschluss bei 208V Betriebsspannung.



Changes	Date	Name	Date	Name
	13.03.19	Schnell	23.10.17	Huhnd.
			24.10.17	Schnell
			24.10.17	Huhnd.

Rev.	Plot	Rep. by	Rep. for	Origin
	12.03.2019			

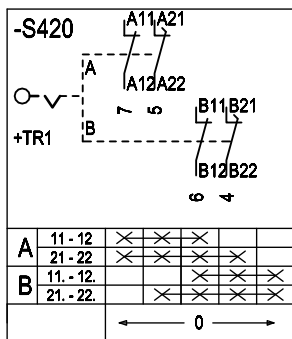
Copyright according to DIN ISO 16016

circuit diagram
SH3 H33/H42 type A SLE3
trolley
Order No.
Serial No. xxxxxx

=
+
03 438 23 13 0
Page: 4
of: 10

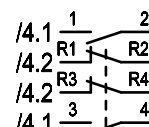
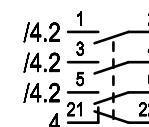
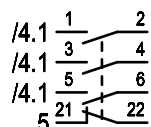
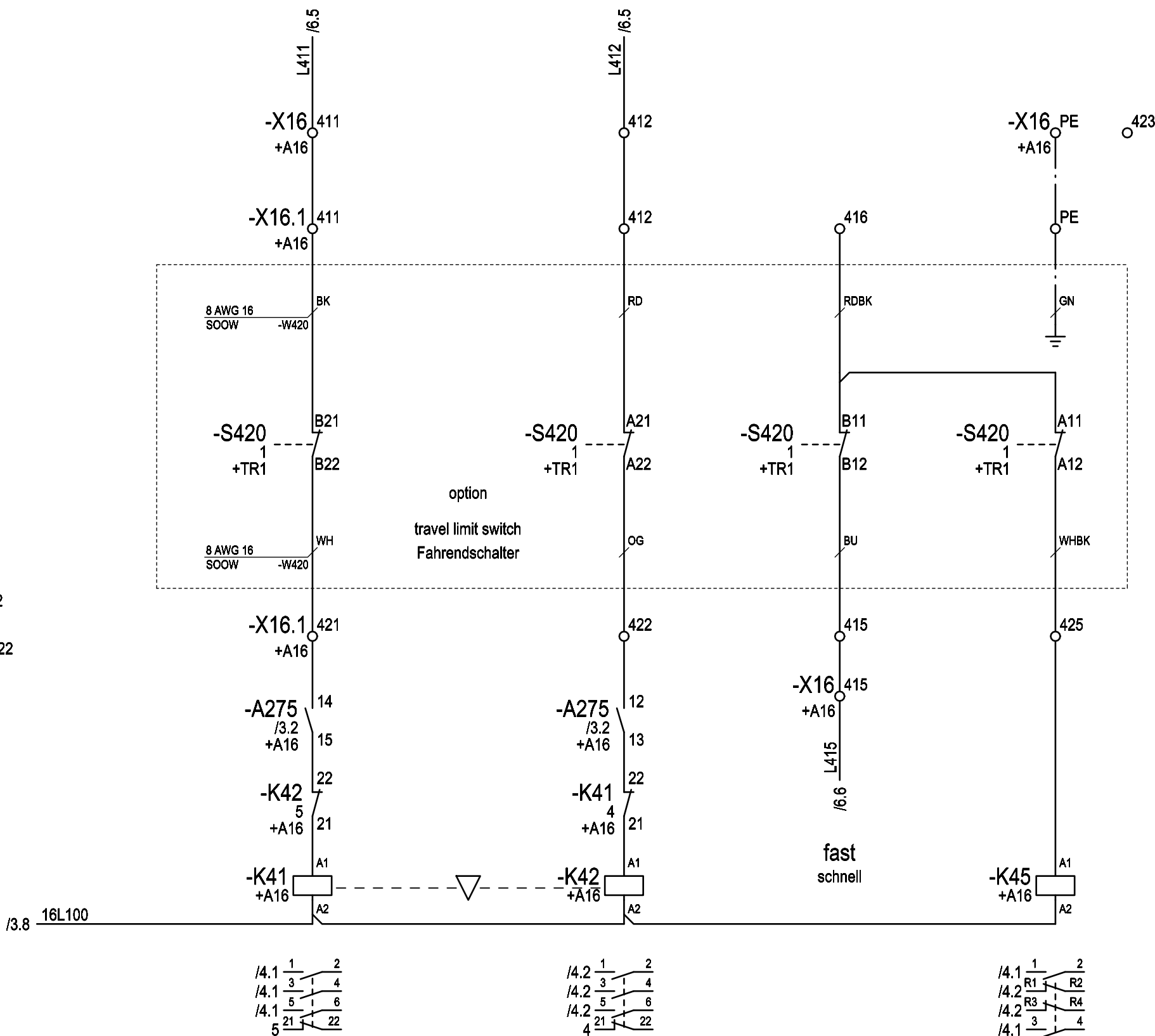
left
links

right
rechts



Attention!

with double-rail crab: change contact A21-A22 and B21-B22
 Bei Obergurttfahrwerken: Kontakte A21-A22 und B21-B22 tauschen



Changes	Date	Name	Date	Name
	13.03.19	Schnell	23.10.17	Huhnd.
			24.10.17	Schnell
			24.10.17	Huhnd.
Rev.		Plot	12.03.2019	Rep. by

Rep. for	Origin
----------	--------

Copyright according to DIN ISO 16016

circuit diagram
SH3 H33/H42 type A SLE3
trolley

=	
+	
03 438 23 13 0	Page: 5
	of: 10

option

hoisting gear
Hubwerk

trolley traveling gear
Katzfahrwerk

emergency stop
Not-Halt

hoisting
heben

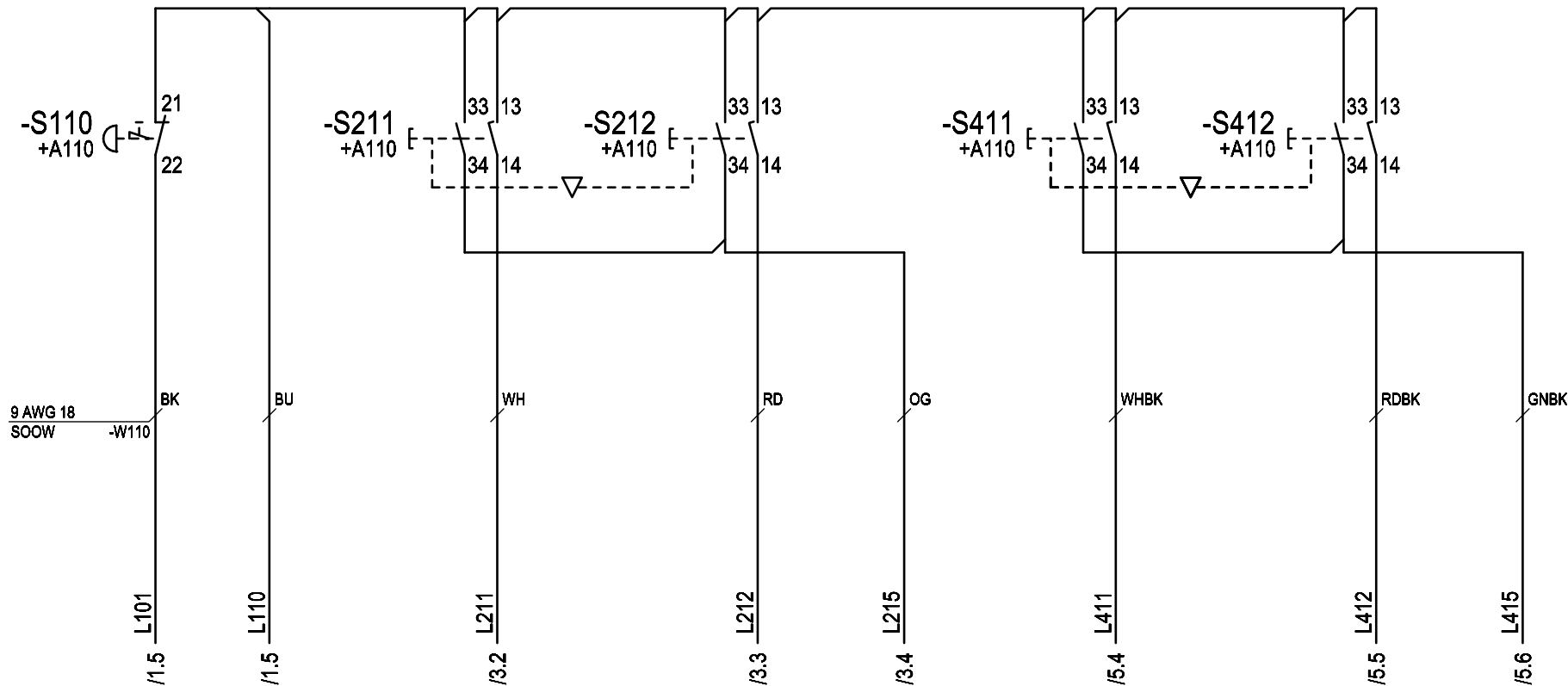
lowering
senken

fast
schnell

left
links

right
rechts

fast
schnell

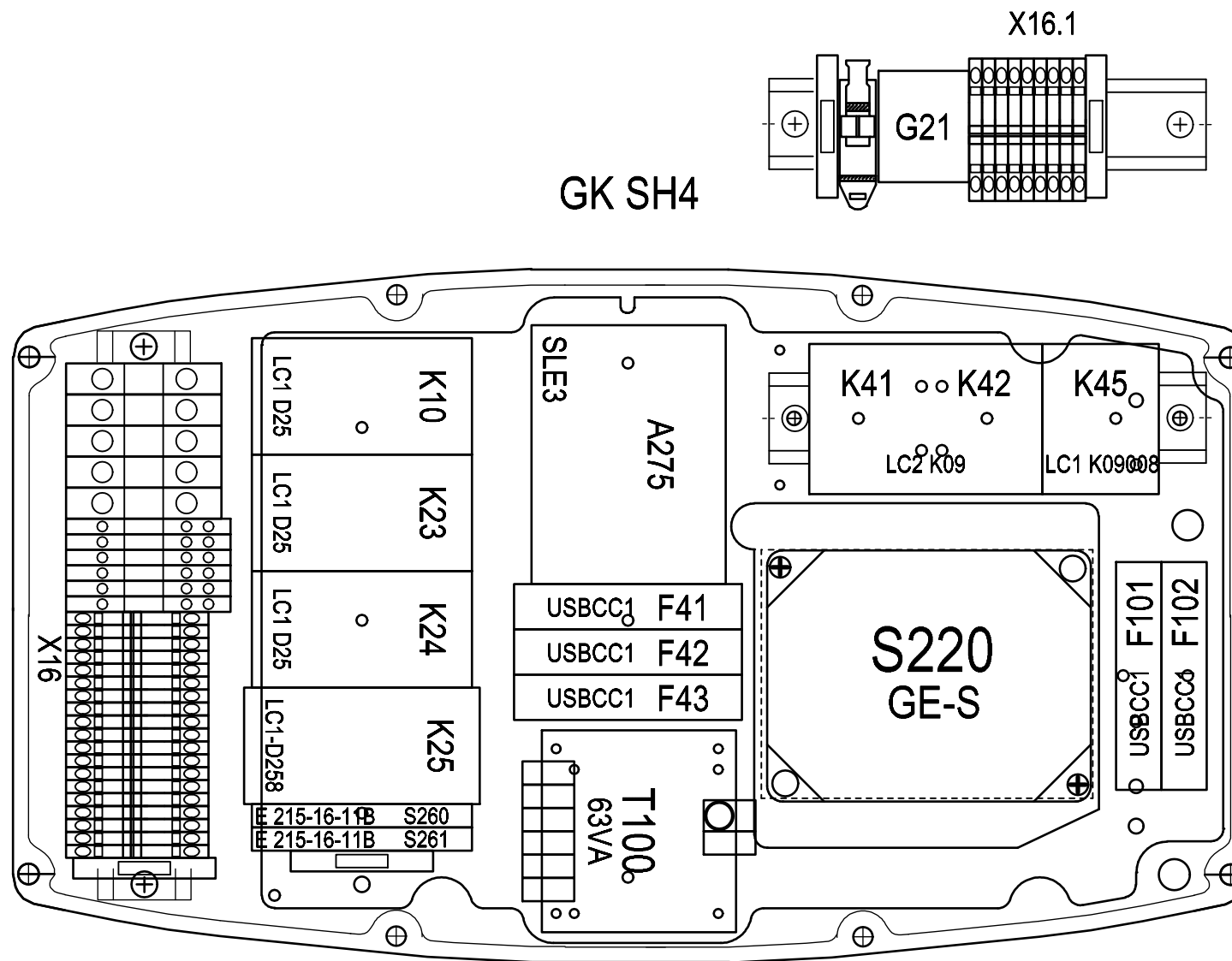


Rev.	Changes	Date	Name	Date	Name
		13.03.19	Schnell	23.10.17	Huhnd.
			Proved	24.10.17	Schnell
			Release	24.10.17	Huhnd.
			Plot	12.03.2019	

Rep. by	Rep. for	Origin
---------	----------	--------

Copyright according to DIN ISO 16016	circuit diagram SH3 H33/H42 type A SLE3 control pendant
Order No.	Serial No. xxxxxx

=	
+	
03 438 23 13 0	Page: 6 of: 10

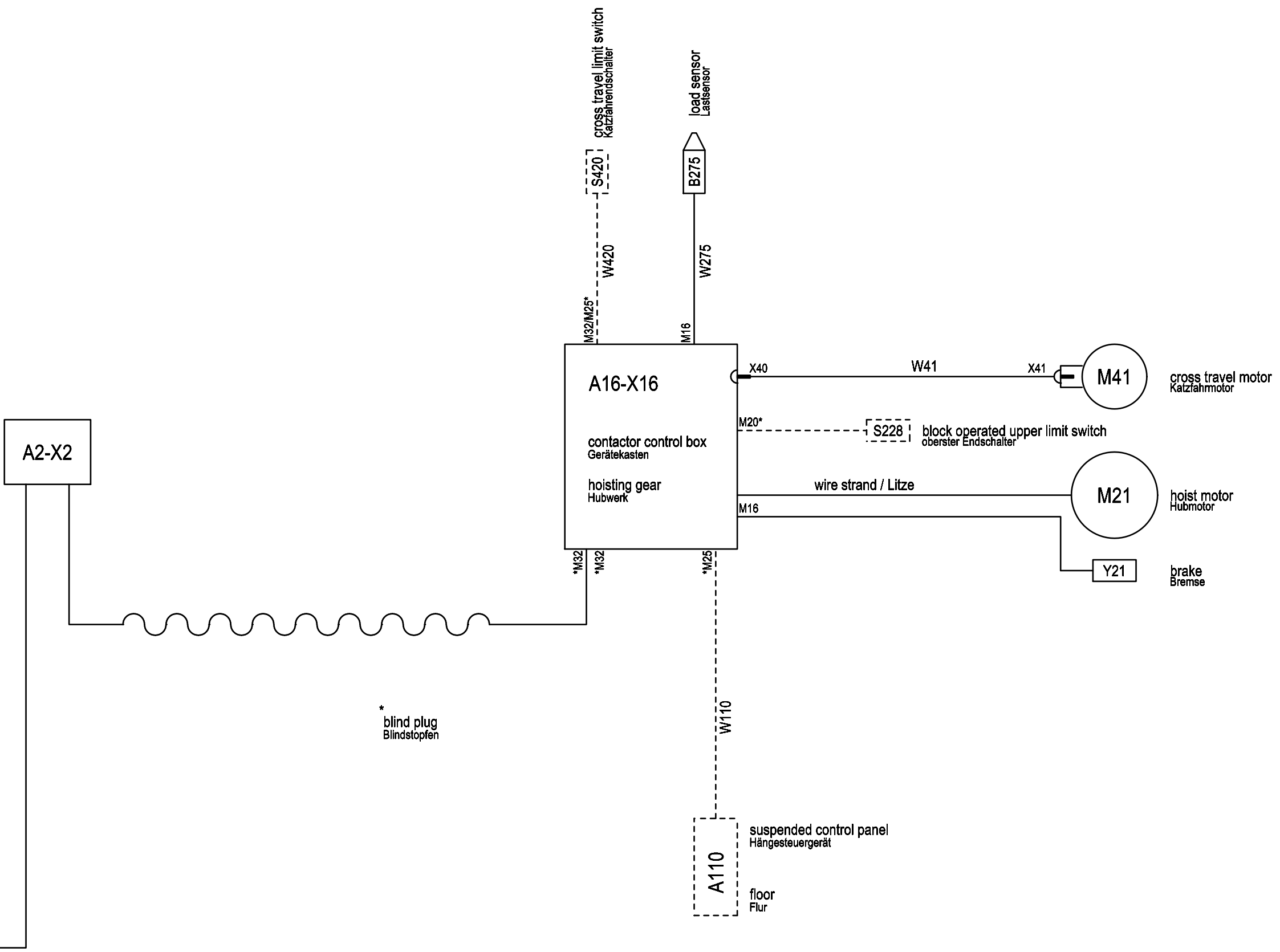


Changes	Date	Name	Date	Name
	13.03.19	Schnell	23.10.17	Huhnd.
			24.10.17	Schnell
			24.10.17	Huhnd.
Rev.			12.03.2019	

Rep. by	Rep. for	Origin
---------	----------	--------

Copyright according to DIN ISO 16016	location diagram SH3 H33/H42 type A SLE3 +A16
Order No.	Serial No. xxxxxx

=	
+	
03 438 23 13 0	Page: 9 of: 10



Rev.	Changes	Date	Name	Date	Name
		13.03.19	Schnell	23.10.17	Huhnd.
				24.10.17	Schnell
				24.10.17	Huhnd.

Plot	12.03.2019	Rep. by		Rep. for		Origin	
------	------------	---------	--	----------	--	--------	--

Copyright according to DIN ISO 16016	cable diagram SH3 H33/H42 type A SLE3
Order No.	Serial No. xxxxxx

=	
+	
03 438 23 13 0	Page: 10 of: 10