

WIRE #	AMP	DEVICE CONNECTED
1	10-BLK	X20.1-1 K10, F101
2	10-BLK	X20.1-2 K10, F102
3	10-BLK	X20.1-3 K10
11	14-BLU	K7B, Q21
12	14-BLU	K7B, Q21
13	14-BLU	K7B, Q21
14	14-BLU	K7B, Q21
15	14-BLU	K7B, Q21
16	16-RED	U20, K26, K7A
17	14-BLU	X20.4-27 G21, V21
28	14-BLU	X20.4-28 G21, V21
45	16-RED	K226, K26
20.1	10-BLK	K10, F21, F24, F26
20.2	10-BLK	K10, F21, F24, F26
20.3	10-BLK	K10, F21, F24, F26
20.11	10-BLK	F22, U20
20.12	10-BLK	F22, U20
20.13	10-BLK	F22, U20
20.21	10-BLK	U20, K21
20.22	10-BLK	U20, K21
20.23	10-BLK	U20, K21
13.1	14-BLU	F26, K7B
13.2	14-BLU	F26, K7B
13.3	14-BLU	F26, K7B
13.4	14-BLU	F26, K7B
13.5	14-BLU	F26, K7B
13.6	14-BLU	F26, K7B
13.7	14-BLU	F26, K7B
13.8	14-BLU	F26, K7B
13.9	14-BLU	F26, K7B
13.10	14-BLU	F26, K7B
13.11	14-BLU	F26, K7B
13.12	14-BLU	F26, K7B
13.13	14-BLU	F26, K7B
13.14	14-BLU	F26, K7B
13.15	14-BLU	F26, K7B
13.16	14-BLU	F26, K7B
13.17	14-BLU	F26, K7B
13.18	14-BLU	F26, K7B
13.19	14-BLU	F26, K7B
13.20	14-BLU	F26, K7B
13.21	14-BLU	F26, K7B
13.22	14-BLU	F26, K7B
13.23	14-BLU	F26, K7B
13.24	14-BLU	F26, K7B
13.25	14-BLU	F26, K7B
13.26	14-BLU	F26, K7B
13.27	14-BLU	F26, K7B
13.28	14-BLU	F26, K7B
13.29	14-BLU	F26, K7B
13.30	14-BLU	F26, K7B
13.31	14-BLU	F26, K7B
13.32	14-BLU	F26, K7B
13.33	14-BLU	F26, K7B
13.34	14-BLU	F26, K7B
13.35	14-BLU	F26, K7B
13.36	14-BLU	F26, K7B
13.37	14-BLU	F26, K7B
13.38	14-BLU	F26, K7B
13.39	14-BLU	F26, K7B
13.40	14-BLU	F26, K7B
13.41	14-BLU	F26, K7B
13.42	14-BLU	F26, K7B
13.43	14-BLU	F26, K7B
13.44	14-BLU	F26, K7B
13.45	14-BLU	F26, K7B
13.46	14-BLU	F26, K7B
13.47	14-BLU	F26, K7B
13.48	14-BLU	F26, K7B
13.49	14-BLU	F26, K7B
13.50	14-BLU	F26, K7B
13.51	14-BLU	F26, K7B
13.52	14-BLU	F26, K7B
13.53	14-BLU	F26, K7B
13.54	14-BLU	F26, K7B
13.55	14-BLU	F26, K7B
13.56	14-BLU	F26, K7B
13.57	14-BLU	F26, K7B
13.58	14-BLU	F26, K7B
13.59	14-BLU	F26, K7B
13.60	14-BLU	F26, K7B
13.61	14-BLU	F26, K7B
13.62	14-BLU	F26, K7B
13.63	14-BLU	F26, K7B
13.64	14-BLU	F26, K7B
13.65	14-BLU	F26, K7B
13.66	14-BLU	F26, K7B
13.67	14-BLU	F26, K7B
13.68	14-BLU	F26, K7B
13.69	14-BLU	F26, K7B
13.70	14-BLU	F26, K7B
13.71	14-BLU	F26, K7B
13.72	14-BLU	F26, K7B
13.73	14-BLU	F26, K7B
13.74	14-BLU	F26, K7B
13.75	14-BLU	F26, K7B
13.76	14-BLU	F26, K7B
13.77	14-BLU	F26, K7B
13.78	14-BLU	F26, K7B
13.79	14-BLU	F26, K7B
13.80	14-BLU	F26, K7B
13.81	14-BLU	F26, K7B
13.82	14-BLU	F26, K7B
13.83	14-BLU	F26, K7B
13.84	14-BLU	F26, K7B
13.85	14-BLU	F26, K7B
13.86	14-BLU	F26, K7B
13.87	14-BLU	F26, K7B
13.88	14-BLU	F26, K7B
13.89	14-BLU	F26, K7B
13.90	14-BLU	F26, K7B
13.91	14-BLU	F26, K7B
13.92	14-BLU	F26, K7B
13.93	14-BLU	F26, K7B
13.94	14-BLU	F26, K7B
13.95	14-BLU	F26, K7B
13.96	14-BLU	F26, K7B
13.97	14-BLU	F26, K7B
13.98	14-BLU	F26, K7B
13.99	14-BLU	F26, K7B
13.100	14-BLU	F26, K7B

ITEM #	FUNCTION	POINTS
S1	EMERGENCY HOST UPPER LIMIT	11-12
S2	EMERGENCY HOST LOWER LIMIT	21-22
S3	OPERATING UPPER LIMIT	31-32
S4	OPERATING LOWER LIMIT	41-42
S5	OPERATING LOWER LIMIT	51-52
S6	LOWER SLOW DOWN LIMIT	61-62

UL508A NOTES:

* WIRE AMP IN THIS COLUMN APPLIES TO WIRING INTERNET TO HOST CONTROL PANEL. FIELD WIRING REQUIREMENTS ARE SHOWN BELOW APPROPRIATE TERMINAL BOARD.

TO MOUNT ENCLOSURE TYPE 4, TYPE 12 RATING OF THE ENCLOSURE, USE CORNER AND SEALING FITTINGS WITH A TYPE 4 AND TYPE 12 RATING.

ALL PANEL COMPONENTS MUST BE LABELED TO MATCH SCHEMATIC WIRING DIAGRAM CONNECTIONS.

USE COPPER CONDUCTORS ONLY FOR ALL FIELD TERMINALS.

SINGLE TERMINAL GROUND LUG PROVIDED FOR SUPPLY GROUNDING CONDUCTOR ONLY. DO NOT USE FOR PANEL WIRING.

LABEL FUSE RAZES WITH FUSE USE SYMBOL AND SIZE IN AMPERES USING A PRINTED LABEL.

ADJACENT TO TRANSFORMER LABEL FUSE SYMBOL AND AMPACITY.

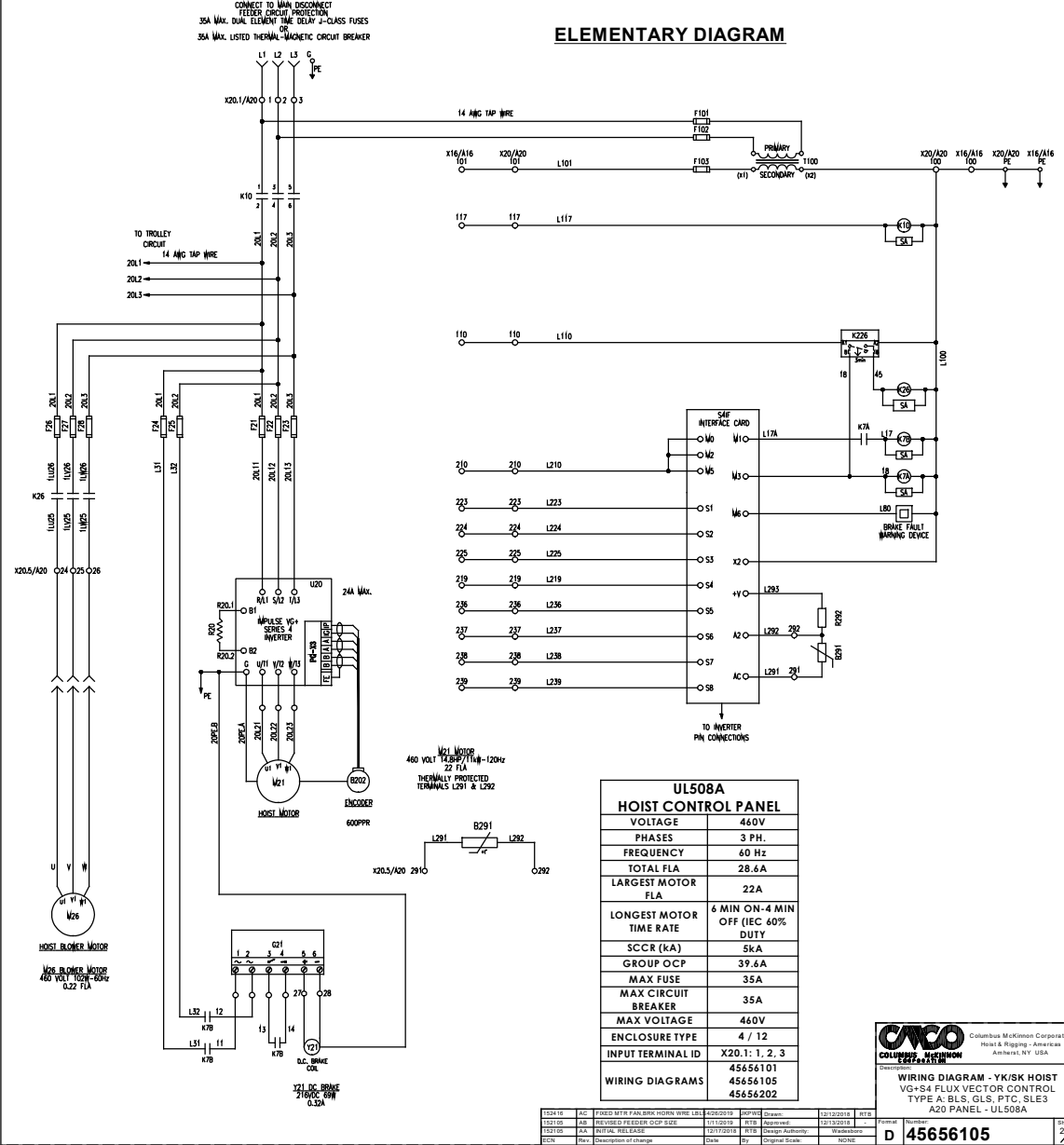
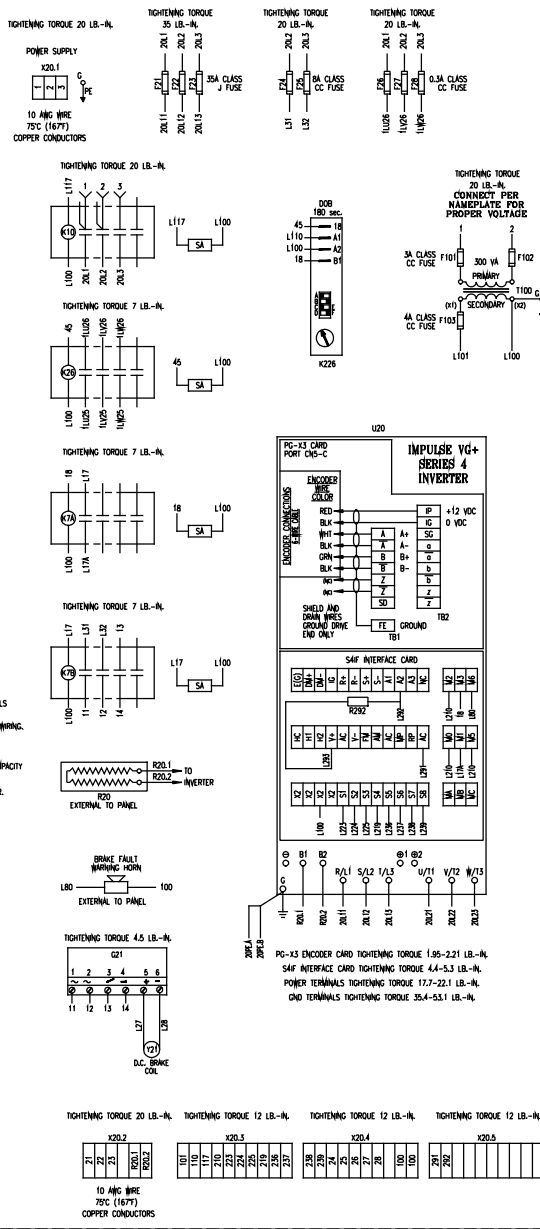
LABEL TERMINAL BLOCKS WITH ALPHANUMERIC CODE AS SHOWN ON WIRING DIAGRAM USING PERMANENT MARKER.

- SYMBOL DESIGNATIONS**
- A110 - PUSHBUTTON PENDING
 - A275 - SLE3 MOTOR MONITOR
 - F21-F23 - FUSE CIRCUIT FUSING
 - F24-F25 - BRAKE CIRCUIT FUSING
 - F26-F28 - BLOWER FAN CIRCUIT FUSING
 - F100 - CONTROL TRANSFORMER
 - F101-F102 - T100 PRIMARY FUSING
 - F103 - L100 SECONDARY FUSE
 - Q21 - HOST BRAKE RELAY
 - K10 - MAIN CONTACTOR
 - K26 - BLOWER MOTOR CONTACTOR
 - K28 - BLOWER MOTOR ODD TIMER
 - K7A - BRAKE RELAY
 - K7B - BRAKE RELAY
 - L00 - HOST INVERTER
 - R20 - HOST BRANCH RESISTOR
 - S200 - GEARED LIMIT SWITCH
 - S201 - OPERATING UPPER LIMIT BRASS
 - S202 - EMERGENCY UPPER LIMIT RESET
 - S203 - OPERATING LOWER LIMIT BRASS
 - S204 - EMERGENCY LOWER LIMIT RESET
 - S205 - UPPER BLOCK LIMIT SWITCH
 - S206 - LOWER BLOCK LIMIT SWITCH
 - S207 - LOAD SENSOR
 - M21 - HOST MOTOR
 - R22 - HOST MOTOR BRAKE
 - R23 - HOST MOTOR PTC BRANCH RESISTOR
 - R24 - HOST MOTOR PTC THERMISTOR
 - X20 - TERMINAL BLOCKS
 - PE - FRAME GROUND

WARNING:
THIS EQUIPMENT MUST BE EFFECTIVELY GROUNDING ACCORDING TO APPLICABLE CODES.

ADVERTISEMENT:
GET EQUIPMENT DOT ETE MSX AKA TERRE EN ACCORDANCE AEC LES NORMES EN DO.

FIRST USED ON PRODUCT ONE



REV	DATE	DESCRIPTION OF CHANGE	BY	CHKD	DATE
102416	AC	FUSED MTR FAN BRK HORN WIRE LB.	45656202	DPW	06/12/2016
102116	AS	REVISED FEEDER COP SIZE	11112015	R18	02/12/2016
102102	SA	PRINT RELEASE	12110216	R18	06/06/2016
ECN	REV	Description of change	Drawn By	Original Scale	NONE

COLUMBUS MCKINNON CORPORATION
Columbus McKinnon Corporation
Host & Rigging, Americas
Amenia, NY, USA

WIRING DIAGRAM - YK/SK HOIST
VC-S4 FLUX VECTOR CONTROL
TYPE A: BLS, GLS, PTC, SLE3
A20 PANEL - UL508A

D 45656105