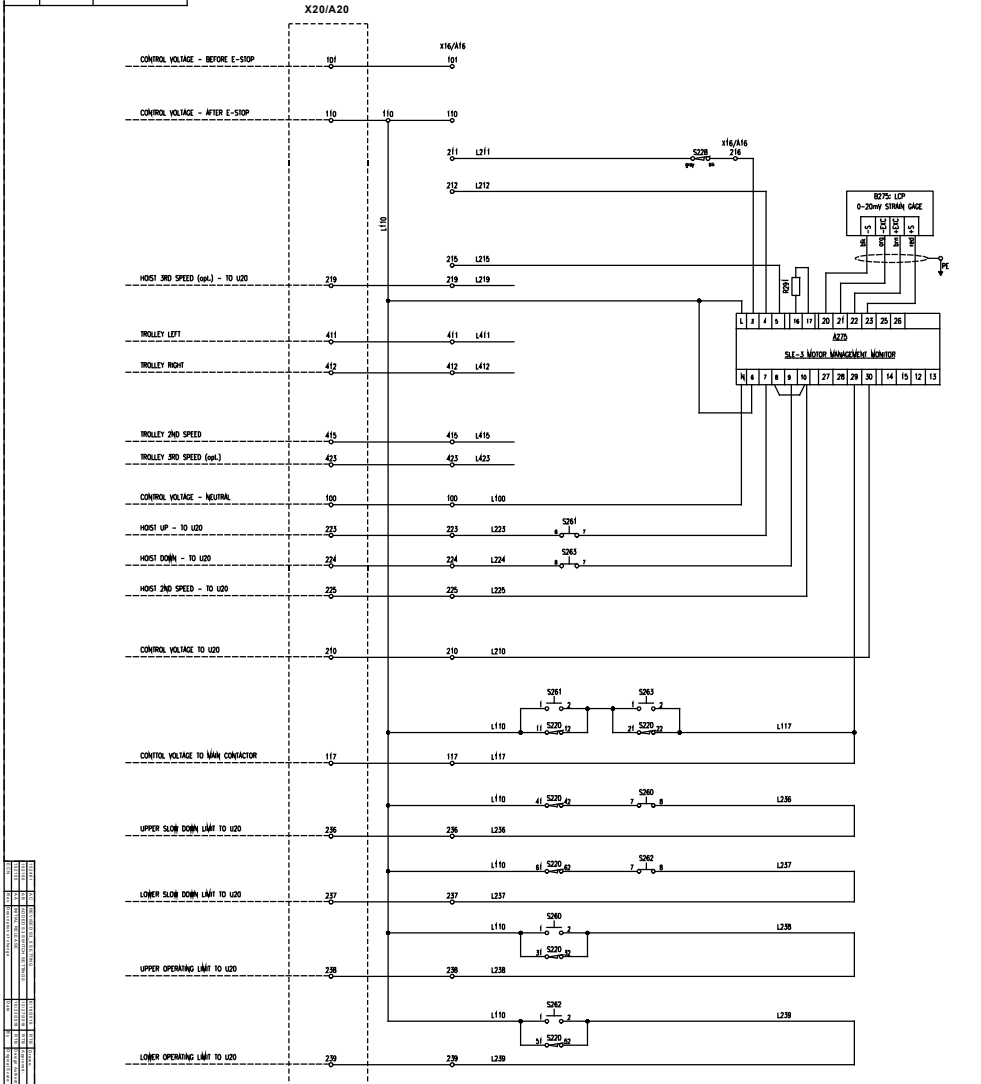


A16 CONTROL PANEL

WIRE #	DEVICE CONNECTED
L100	x16-100 A275
L101	x16-101 A110
L110	x16-110 A110
L117	x16-117 A110, S261, S220-S2
L210	x16-210 A275
L215	x16-215 S261
L224	x16-224 S263
L225	x16-225 A275
L216	x16-216 S226, A275
L219	x16-219 S260
L226	x16-226 S260
L227	x16-227 S262
L228	x16-228 S260, S220-S3
L229	x16-229 S260, S220-S5
L411	x16-411 A110
L412	x16-412 A110
L415	x16-415 A110
L423	x16-423 A110



NO.	DESCRIPTION	DATE	BY
1	ISSUED FOR CONSTRUCTION	11/15/11	W. J. WILSON
2	ISSUED FOR CONSTRUCTION	11/15/11	W. J. WILSON
3	ISSUED FOR CONSTRUCTION	11/15/11	W. J. WILSON
4	ISSUED FOR CONSTRUCTION	11/15/11	W. J. WILSON
5	ISSUED FOR CONSTRUCTION	11/15/11	W. J. WILSON
6	ISSUED FOR CONSTRUCTION	11/15/11	W. J. WILSON
7	ISSUED FOR CONSTRUCTION	11/15/11	W. J. WILSON
8	ISSUED FOR CONSTRUCTION	11/15/11	W. J. WILSON
9	ISSUED FOR CONSTRUCTION	11/15/11	W. J. WILSON
10	ISSUED FOR CONSTRUCTION	11/15/11	W. J. WILSON
11	ISSUED FOR CONSTRUCTION	11/15/11	W. J. WILSON
12	ISSUED FOR CONSTRUCTION	11/15/11	W. J. WILSON
13	ISSUED FOR CONSTRUCTION	11/15/11	W. J. WILSON
14	ISSUED FOR CONSTRUCTION	11/15/11	W. J. WILSON
15	ISSUED FOR CONSTRUCTION	11/15/11	W. J. WILSON
16	ISSUED FOR CONSTRUCTION	11/15/11	W. J. WILSON
17	ISSUED FOR CONSTRUCTION	11/15/11	W. J. WILSON
18	ISSUED FOR CONSTRUCTION	11/15/11	W. J. WILSON
19	ISSUED FOR CONSTRUCTION	11/15/11	W. J. WILSON
20	ISSUED FOR CONSTRUCTION	11/15/11	W. J. WILSON
21	ISSUED FOR CONSTRUCTION	11/15/11	W. J. WILSON
22	ISSUED FOR CONSTRUCTION	11/15/11	W. J. WILSON
23	ISSUED FOR CONSTRUCTION	11/15/11	W. J. WILSON
24	ISSUED FOR CONSTRUCTION	11/15/11	W. J. WILSON
25	ISSUED FOR CONSTRUCTION	11/15/11	W. J. WILSON
26	ISSUED FOR CONSTRUCTION	11/15/11	W. J. WILSON
27	ISSUED FOR CONSTRUCTION	11/15/11	W. J. WILSON
28	ISSUED FOR CONSTRUCTION	11/15/11	W. J. WILSON
29	ISSUED FOR CONSTRUCTION	11/15/11	W. J. WILSON
30	ISSUED FOR CONSTRUCTION	11/15/11	W. J. WILSON
31	ISSUED FOR CONSTRUCTION	11/15/11	W. J. WILSON
32	ISSUED FOR CONSTRUCTION	11/15/11	W. J. WILSON
33	ISSUED FOR CONSTRUCTION	11/15/11	W. J. WILSON
34	ISSUED FOR CONSTRUCTION	11/15/11	W. J. WILSON
35	ISSUED FOR CONSTRUCTION	11/15/11	W. J. WILSON
36	ISSUED FOR CONSTRUCTION	11/15/11	W. J. WILSON

OMPO
 OCEAN MONITORING PRODUCTS
 10000 WILSON AVENUE
 WILSON, CA 94094
 TEL: 415.555.1100
 FAX: 415.555.1101
 WWW.OMPO.COM
 TYPE: SLE-3220
 PART NO: 45555103

SYMBOL DESIGNATIONS

A110	- PUSHBUTTON PENDANT
A275	- SLE-3 MOTOR MONITOR
S220	- GEARED LIMIT SWITCH
S261	- OPERATING UPPER LIMIT BYPASS
S262	- EMERGENCY UPPER LIMIT RESET
S263	- OPERATING LOWER LIMIT BYPASS
S264	- EMERGENCY LOWER LIMIT RESET
S265	- UPPER BLOCK LIMIT SWITCH
B27%	- LOAD SENSOR
CON	- STOP/STOP
A16	- TROLLEY BLOCKS
PG	- TRAIL GROUND
F	-

S220 - GEARED LIMIT SWITCH

LIMIT	FUNCTION	CONTACTS
31	EMERGENCY HOST UPPER LIMIT	11-17
32	EMERGENCY HOST LOWER LIMIT	21-27
33	OPERATING UPPER LIMIT	31-37
34	UPPER SLOW DOWN LIMIT	41-47
35	OPERATING LOWER LIMIT	51-57
36	LOWER SLOW DOWN LIMIT	61-67



WARNING:
 THIS EQUIPMENT MUST BE EFFECTIVELY GROUNDING
 ACCORDING TO APPLICABLE CODES.

CAUTION:
 CERT EQUIPMENT DOES FIRE INS AT A TIME ON
 ACCORDANCE AVEC LES NORMES EN VIGUEUR.

FIRST USED ON PROJECT ONE