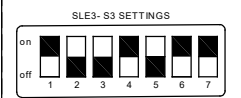


WIRE #	DEVICE CONNECTED
1	X16-1 K10, F101
2	X16-2 K10, F102
3	X16-3 K10
TU1	X16-24 M21, Q29, K25
1W1	X16-25 M21, K25
1W2	X16-26 M21, K24
1U2	X16-25 M21, K25
1V2	X16-26 M21, K24
1W2	X16-24 M21, K25
2U1	X16-21 M21, K25
2V1	X16-22 M21, K25
2W1	X16-23 M21, K23
2U2	X16-23 M21, K23
2V2	X16-22 M21, K25
2W2	X16-21 M21, Q29, K25
27	X16-27 G21, Y21
28	X16-28 G21, Y21
16L100	X16-100 T100, K23, K24, K25, A275
L101	X16-101 A110
16L110	X16-110 S220, A275
L211	X16-211 A110, S228
L212	X16-212 A110, A275
L215	X16-215 A110, A275
216	X16-216 S228, S220, S260
16L291	X16-291 B291, A275
16L292	X16-292 B291, A275
L411	X16-411 A110, X40.2
L412	X16-412 A110, X40.2
L415	X16-415 A110, X40.2
423	X16-423 A110, X40.2
16L41	X16-41 K25, K24, F41
16L42	X16-42 K23, K24, F42
16L43	X16-43 K23, K24, F43
16L223	X16-223 A275, K24
16L224	X16-224 A275, K23
16L225	X16-225 A275, K25
16L1	X16-1 K10, K23, K24
16L2	X16-2 K10, K23, K24
16L3	X16-3 K10, K23, K24
40L41	X16-41 F41, X40.1
40L42	X16-42 F42, X40.1
40L43	X16-43 F43, X40.1

ELEMENT	FUNCTION	CONTACTS
S1	EMERGENCY HOIST UPPER LIMIT	11-12
S2	EMERGENCY HOIST LOWER LIMIT	21-22
S3	OPERATING UPPER LIMIT	31-32
S4	UPPER SLOW DOWN LIMIT	41-42

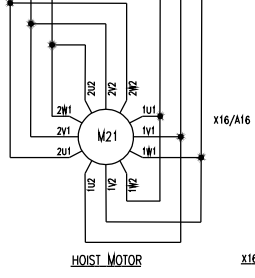
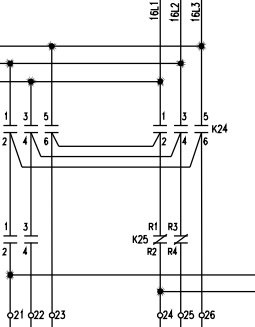
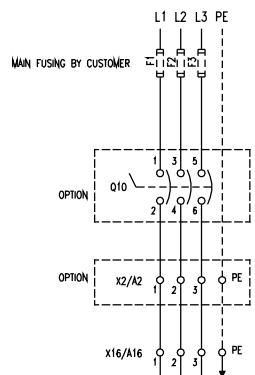


- SYMBOL DESIGNATIONS**
- A110 - PUSHBUTTON PENDANT
 - A275 - SLE3 MOTOR MONITOR
 - F41-F43 - TROLLEY CIRCUIT FUSING
 - F101-102 - T100 PRIMARY FUSING
 - F103 - T100 SECONDARY FUSE
 - G21 - HOIST BRAKE RECTIFIER
 - K10 - MAIN CONTACTOR
 - K23-24 - HOIST REVERSING CONTACTOR
 - K25 - HOIST FAST CONTACTOR
 - K29 - HOIST BRAKE CONTACTOR
 - Q29 - HOIST BRAKE CIRCUIT BREAKER
 - S220 - GEARED LIMIT SWITCH
 - S260 - OPERATING UPPER LIMIT BYPASS
 - S261 - EMERGENCY UPPER LIMIT RESET
 - T100 - CONTROL TRANSFORMER
 - B275 - LOAD SENSOR
 - M21 - HOIST MOTOR
 - Y21 - HOIST MOTOR BRAKE
 - B291 - HOIST MOTOR PTC THERMISTOR
 - S228 - UPPER BLOCK LIMIT SWITCH

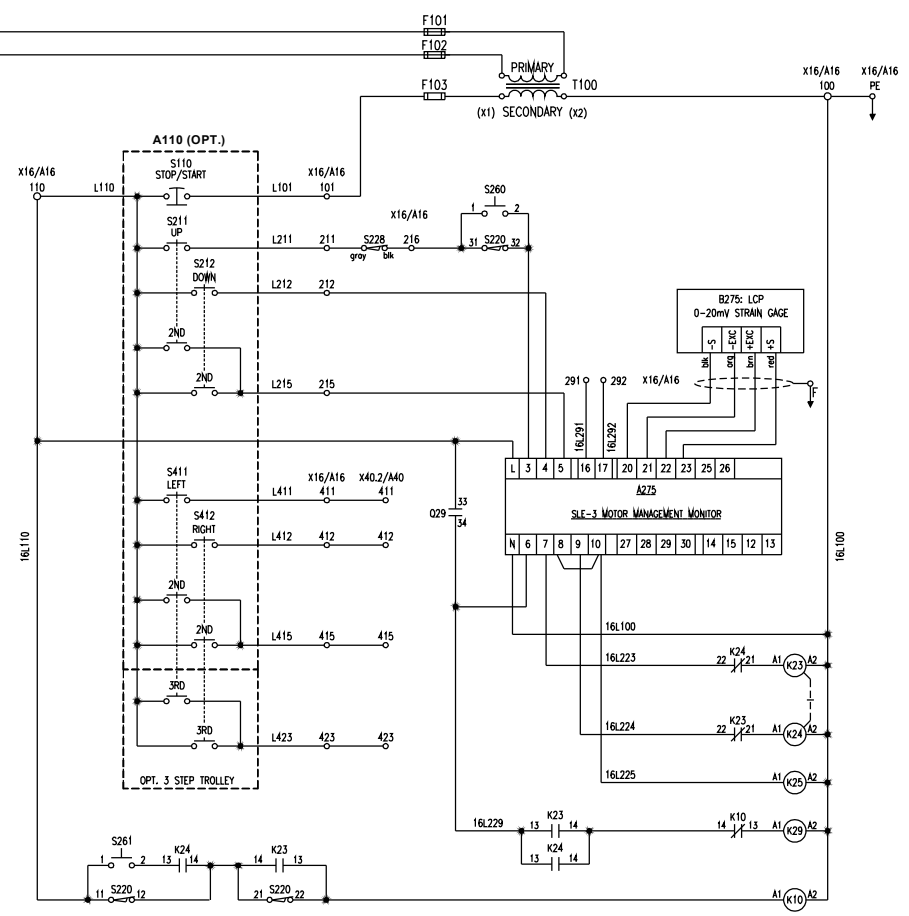
WARNING:
THIS EQUIPMENT MUST BE EFFECTIVELY GROUNDED ACCORDING TO APPLICABLE CODES.

AVERTISSEMENT:
CET EQUIPEMENT DOIT ETRE MIS A LA TERRE EN ACCORDANCE AVEC LES NORMES EN VIGUEUR.

FIRST USED ON: PROJECT ONE



ELEMENTARY DIAGRAM



CISCO
Columbus McKinnon Corporation
Hoist & Rigging, Americas
Amherst, NY, USA

**WIRING DIAGRAM - YK/SK HOIST
2-SPEED HOIST TYPE A CONTROL
SLE 3 LOAD MONITOR
220V C & D FRAME CONNECT TO A40**

12/29/20	AK	INITIAL RELEASE	01/20/19	RTB	Drawn	02/12/20	RTB	Checked
					Approved			Workshop
					Original Author			
ECN	Rev	Description of change	Date	By	Original Scale			NONE

D 45655304