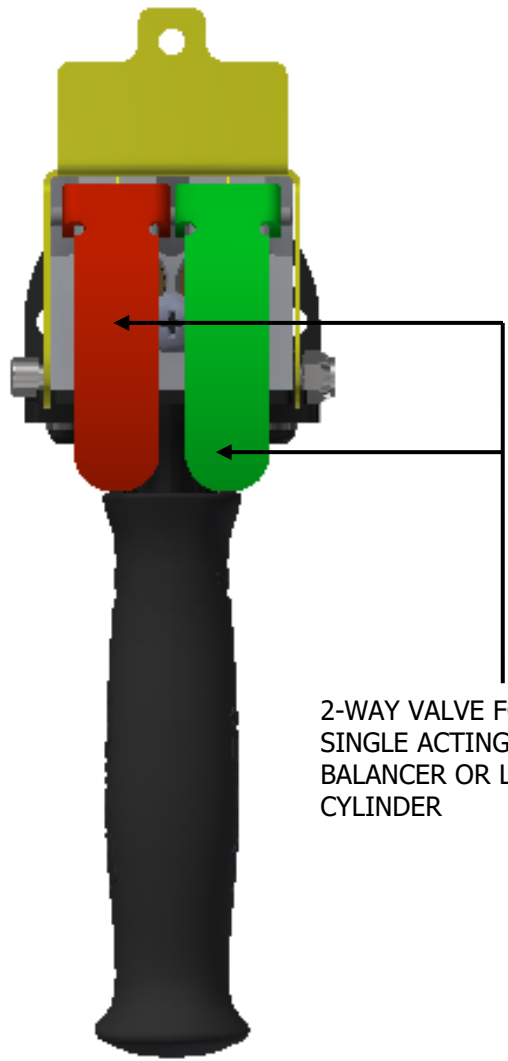
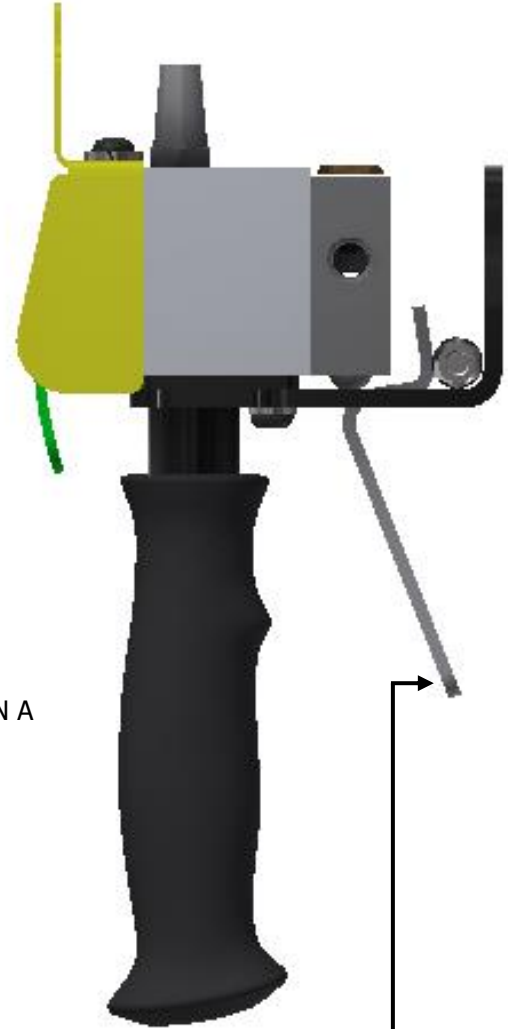


# 79686 – PNEUMATIC TWO BUTTON HANDLE ASSEMBLY FOR UP/DOWN WITH TRIGGER

- TEMPERATURE RANGE: 32 TO 125 DEGREES F
- MAXIMUM PRESSURE: 100 PSI
- PORT 1: 1/4" NPT AIR SUPPLY
- PORT 2: 1/4" NPT UP/FILL
- PORT 3: 1/4" NPT DOWN/EXHAUST
- TRIGGER BLOCK PORTS
  - PORT 1: 1/8" NPT AIR SUPPLY
  - PORT 2: 1/8" NPT PILOT SIGNAL
- HARDWARE TO BE SNUG TIGHT
- REQUIRES CLEAN DRY AIR



2-WAY VALVE FOR USE ON A SINGLE ACTING AIR BALANCER OR LIFTING CYLINDER



TRIGGER: 3-WAY VALVE USED FOR SENDING 1 PILOT SIGNAL

