

**BUDGIT<sup>®</sup>**  
*Hoists*

# POWERED HOISTS & TROLLEYS

ELECTRIC CHAIN HOISTS

AIR CHAIN HOISTS

TROLLEYS



COLUMBUS MCKINNON CORPORATION

## Budgit Electric Hoist

*Since 1935, Budgit® has led the industry in innovation, quality, and dependability. Our compact, lightweight, economical hoists are built to withstand the rigors of heavy service and repeated lifting cycles. Budgit hoists are easy to service, require minimal maintenance, and offer excellent headroom.*

**Budgit Hoists** are designed for H4 duty (300 starts/hour, 30 minutes/hour on time), which meets most heavy-duty industrial applications. BUDGIT's range of specifications and features have made it the perfect solution for thousands of hoists sold in industries such as:

- Automotive Industry
- Chemical Plants
- Pulp and Paper
- Fabricating shops/ machine shops
- Lumber Mills
- Marine
- Manufactured Housing Industry
- Foundries and Steel Mills
- Construction
- Shipping receiving and warehousing
- Textile
- Plastics

### ***Budgit also offers special hoists for specific industries***

#### ***Food Handling and Pharmaceutical***

Options include clean hoist (no paint) or FDA approved epoxy enamel paint, stainless steel lower block, hooks and chain and food grade oil for gear transmission.

#### ***Corrosion Resistant / Plating Applications***

Options include zinc-plated load chain and hooks, zinc-plated or anodized lower block, motor shaft seal and sealing of electrical joints.

#### ***Explosion Proof and Spark Resistant Features***

Hoist options allow for use in Class 1, Div. 2, Group C & D applications and Class 2, Div.2, Group F & G. Options include NEMA 7 panel for Class 1, Div. 1 and NEMA 4/12 panel for Class 2, Div. 2, stainless steel load chain, hook & lower block and intrinsically safe relays.

#### ***Precision Handling***

Budgit offers a wide range of hoisting speeds to suit your application. Optional 2-speed control (3:1 speed ratio) or variable frequency control (10:1 speed ratio) will offer precision handling control of loads.

#### ***Outdoor Service***

Weather resistant options such as zinc-plated load chain, water resistant covers and sealing of electrical joints make the hoist a good choice for use in outdoor applications.

UNSURPASSED **VALUE** WITH A **BUDGIT**

### ***Think Safety, Think Budgit***

Standard safety features:

- Overload Clutch – prevents and protects operator, hoist and supporting structure from lifting excessive loads.
- Paddle Type Upper & Lower Limit Switch – Automatically shuts down power to the hoist preventing lower block from two-blocking into hoist frame.
- Safety Latches – Spring loaded safety latches for both upper and lower hooks.
- Designed To Meet ASME/ANSI B30.16, CSA, NEC electrical codes and is ISO 9001 certified.

# Budgit Electric Hoist Cutaway



## Manguard Overload Protection

The Manguard prevents lifting loads beyond the hoist's load range, which may damage the hoist or supporting structure. Optional mechanical load brake is available.

## NEW Heavy Duty Motor Brake

AC spring set disc brake for positive braking action and long life with minimal maintenance. Easy 1-step adjustment procedure.

## Gearing

Totally enclosed, oil-bath lubricated for long life.

## High-Torque, Heavy Duty Hoist Motor

Motors are H4 30-minute rated with class "F" insulation and include a thermal actuated switch –(TAS) embedded in the motor winding for protection

## Load Sprocket & Chain Guide

Provided with a full floating chain guide that assures proper engagement of chain on load sprocket.

## Lower Block

Provided with a 360° rotating hook riding on thrust bearings. As standard, the hook is provided with a spring-loaded latch.

## Push-Button Controls

Standard push-button control station is contoured for operator comfort allowing easy one-handed sure grip control and provided with a weatherproof NEMA-4X enclosure. The push-button cable is provided with built-in strain relief to help prevent cable damage.

## Suspension

Hook suspension permits portability of the hoist while lug suspension reduces headroom and can be used with any of our rigid-mount trolleys. New design allows easy change out of either hook or lug suspension.

## Paddle Limit Switch

Paddle upper & lower control limit switch standard on all hoists.

## Hoist Controls

Single speed (standard) or optional two speed and variable frequency for precision handling is located under a removable cover for easy access.

## Powder Coat Finish

Provides a long lasting durable finish and added resistance to corrosive environments.

## Chain Container

Included as standard for lifts up to 20'.

## Die-Cast Aluminum Alloy Housing and Frame

Lightweight & rugged. Housing is precision machined for accurate gear and bearing alignment.

All hoists are built in compliance to ASME/ANSI B30.16 standards and NEC electrical codes. Budgit® electric hoists and motor-driven trolleys are CSA approved and are ISO9001 certified.

## Specifications

|                        |  |
|------------------------|--|
| <b>Capacity Range</b>  | 1/4 thru 3 tons  |
| <b>Lift</b>            | 10 feet standard, additional lifts available.  |
| <b>Lifting Speed</b>   | 5 to 64 FPM  |
| <b>AC Power Supply</b> | 115/230 1-60 HZ; 230/460-3-60 reconnectable or 208 and 575-3-60 single voltage             |
| <b>Control</b>         | Push-button control voltage of 115 volts standard on all models. 24-volt control optional. |
| <b>Suspension</b>      | Hook and Lug   |

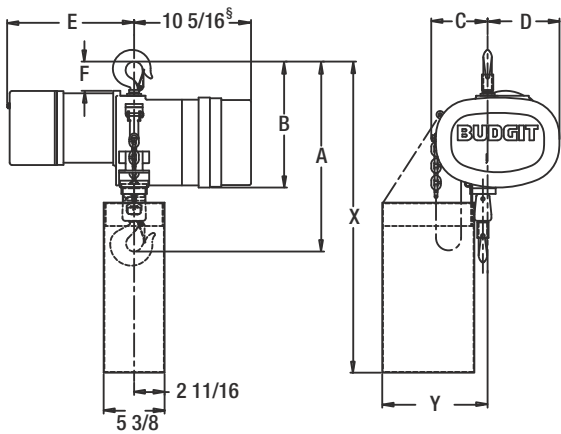
# Hook & Lug Mounted Hoists



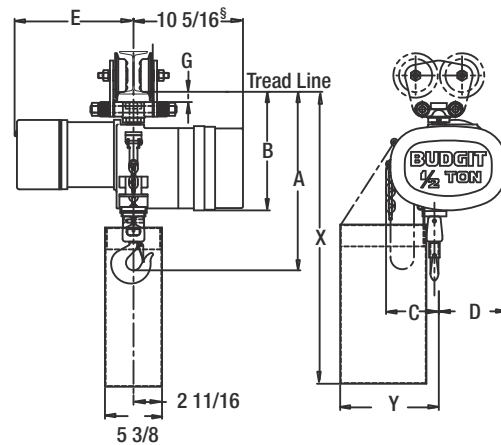
- Single speed standard. Optional 2-speed or variable frequency control available for precision load spotting.
- Heavy duty AC spring set motor brake with easy 1-step adjustment procedure.
- Gearing totally enclosed in oil-bath lubrication for long life.
- High-torque H4 rated heavy duty motor with Class 'F' insulation with thermal actuated switches embedded in the motor winding for protection from overheating
- Weatherproof NEMA-4X enclosed push-button control station specially contoured for operator comfort allowing easy one-handed sure grip control.
- Paddle type upper & lower control limit switch.
- Powder coat finish provides long lasting durable finish and added resistance to corrosive environments.
- Manguard overload protection prevents lifting excessive loads.
- Choice of either hook suspension permitting portability of the hoist or lug suspension which reduces valuable headroom.
- All hoists are built in compliance to ASME/ANSI B30.16 & CSA standards, ISO certified and NEC electrical codes.



## Hook Mount



## Lug Mount



§ This dimension becomes 11-5/16" for 2-speed and 2-1/2 Hp models only

## Specifications & Dimensions

| Capacity<br>tons | Hoist<br>Catalog # | Lift<br>Speed<br>FPM | Motor<br>H.P. | Parts of<br>Chain | Net<br>Weight<br>lbs | A          |           | B          |           | C     | D      | E**<br>Max. | F       | G      | X***       |           | Y      |
|------------------|--------------------|----------------------|---------------|-------------------|----------------------|------------|-----------|------------|-----------|-------|--------|-------------|---------|--------|------------|-----------|--------|
|                  |                    |                      |               |                   |                      | Hook<br>in | Lug<br>in | Hook<br>in | Lug<br>in |       |        |             |         |        | Hook<br>in | Lug<br>in |        |
| 1/4              | BEHC2516           | 16                   | 1/4*          | 1                 | 77                   | 16-3/4     | 16-13/16  | 11-1/8     | 11-3/16   | 5     | 6-5/16 | 14-1/4      | 2-9/16  | 15/16  | 27-1/2     | 27-5/8    | 9-1/2  |
|                  | BEHC2532           | 32                   | 1/2           |                   | 80                   |            |           |            |           |       |        |             |         |        |            |           |        |
|                  | BEHC2564           | 64                   | 1             |                   | 77                   |            |           |            |           |       |        |             |         |        |            |           |        |
| 1/2              | BEHC5016           | 16                   | 1/2           | 1                 | 80                   | 16-3/4     | 16-13/16  | 11-1/8     | 11-3/16   | 5     | 6-5/16 | 14-1/4      | 2-9/16  | 15/16  | 27-1/2     | 27-5/8    | 9-1/2  |
|                  | BEHC5032           | 32                   | 1             |                   | 81                   |            |           |            |           |       |        |             |         |        |            |           |        |
| 1                | BEHC0108           | 8                    | 1/2           | 1                 | 88                   | 17-1/2     | 17-3/8    | 11-7/16    | 11-3/8    | 5-1/8 | 6-5/16 | 14-1/4      | 2-15/16 | 1-1/8  | 27-7/8     | 27-3/4    | 9-1/2  |
|                  | BEHC0116           | 16                   | 1             |                   | 89                   |            |           |            |           |       |        |             |         |        |            |           |        |
|                  | BEHC0132           | 32                   | 2-1/2         |                   | 95                   |            |           |            |           |       |        |             |         |        |            |           |        |
| 2                | BEHC0204           | 4                    | 1/2           | 2                 | 110                  | 23         | 22-1/16   | 13-1/8     | 12-3/16   | 6-3/8 | 5-1/16 | 14-1/4      | 4-9/16  | 1-1/16 | 33-1/2     | 32-5/8    | 10-3/4 |
|                  | BEHC0208           | 8                    | 1             |                   | 111                  |            |           |            |           |       |        |             |         |        |            |           |        |
|                  | BEHC0216           | 16                   | 2-1/2         |                   | 112                  |            |           |            |           |       |        |             |         |        |            |           |        |
| 3                | BEHC0305           | 5                    | 1             | 3                 | 136                  | 25-7/8     | 26-5/16   | 14-3/8     | 14-7/8    | 7-7/8 | 7-1/8  | 14-1/4      | 5-7/8   | 2      | 38-7/8     | 39-1/4    | 12-1/4 |
|                  | BEHC0310           | 10                   | 2-1/2         |                   | 146                  |            |           |            |           |       |        |             |         |        |            |           |        |

\* Two speed hoist has a 1/2 H.P. motor

\*\* Maximum length between one & two speed model hoists. Consult factory for exact dimensions.

\*\*\* Dimensions based on lifts thru 30 ft (1/4 - 1 Ton capacities), thru 15 ft lift (2 Ton capacity) and thru 10 ft lift (3 Ton capacity)

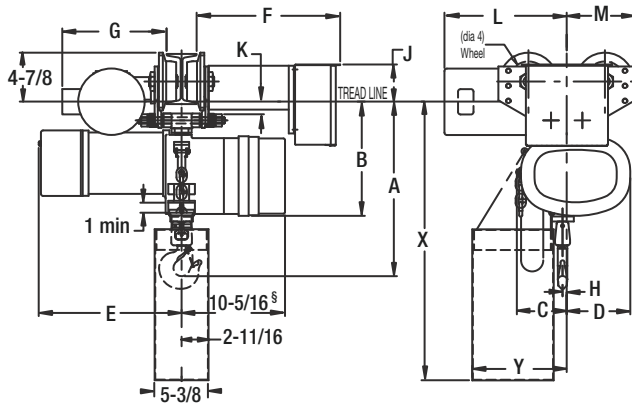
# Lug Hoists with Motor Driven Trolley

## One & Two Speed Hoists

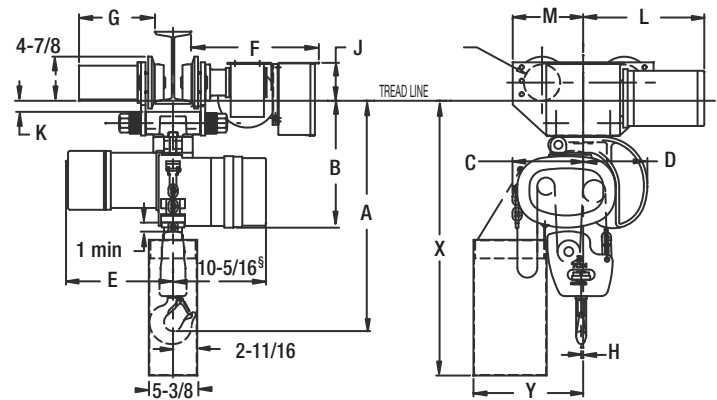


- Single speed standard. Optional 2-speed or variable frequency control available for precision load spotting for both hoist and trolley motions.
- Heavy duty AC spring set hoist motor brake with easy 1-step adjustment procedure.
- Trolley worm gear design provides smooth stopping performance.
- Hoist gearing totally enclosed in oil-bath lubrication for long life.
- Weatherproof NEMA-4X enclosed push-button control.
- Paddle Type upper & lower hoist travel limit switch.
- Manguard hoist overload protection prevents lifting excessive loads.
- All hoists and trolleys are built in compliance to ASME/ANSI B30.16 & CSA standards, NEC electrical codes and are ISO 9001 certified.

### 1/4, 1/2, 1 & 2 Ton Trolley



### 3 Ton Trolley



§ This dimension becomes 11-5/16" for 2-speed and 2-1/2 Hp models only

## Specifications & Dimensions

| Capacity | Hoist Catalog Number | Lift Speed | Motor | Parts of Chain | Net Weight | A       | B       | C     | D      | E** Max. | F Max.  | G Max. | J       | K      | L Max. | M Max.  | X***   | Y      | H    |
|----------|----------------------|------------|-------|----------------|------------|---------|---------|-------|--------|----------|---------|--------|---------|--------|--------|---------|--------|--------|------|
| tons     |                      | FPM        | H.P.  |                | lbs.       | in      | in      | in    | in     | in       | in      | in     | in      | in     | in     | in      | in     | in     | in   |
| 1/4      | BEHC2516             | 16         | 1/4*  | 1              | 162        | 17-1/16 | 10-3/16 | 5     | 6-5/16 | 14-1/4   | 14-3/8  | 10-3/8 | 3-3/4   | 1-3/16 | 12-1/4 | 6-13/16 | 27-7/8 | 9-1/2  | 7/16 |
|          | BEHC2532             | 32         | 1/2   |                | 165        |         |         |       |        |          |         |        |         |        |        |         |        |        |      |
|          | BEHC2564             | 64         | 1     |                | 164        |         |         |       |        |          |         |        |         |        |        |         |        |        |      |
| 1/2      | BEHC5016             | 16         | 1/2   | 1              | 165        | 17-1/16 | 10-3/16 | 5     | 6-5/16 | 14-1/4   | 14-3/8  | 10-3/8 | 3-3/4   | 1-3/16 | 12-1/4 | 6-13/16 | 27-7/8 | 9-1/2  | 7/16 |
|          | BEHC5032             | 32         | 1     |                | 166        |         |         |       |        |          |         |        |         |        |        |         |        |        |      |
|          | BEHC0108             | 8          | 1/2   |                | 173        |         |         |       |        |          |         |        |         |        |        |         |        |        |      |
| 1        | BEHC0116             | 16         | 1     | 1              | 174        | 17-7/16 | 10-3/16 | 5     | 6-5/16 | 14-1/4   | 14-5/16 | 10-3/8 | 3-11/16 | 1-3/16 | 12-1/4 | 6-13/16 | 27-7/8 | 9-1/2  | 7/16 |
|          | BEHC0132             | 32         | 2-1/2 |                | 182        |         |         |       |        |          |         |        |         |        |        |         |        |        |      |
|          | BEHC0204             | 4          | 1/2   |                | 207        |         |         |       |        |          |         |        |         |        |        |         |        |        |      |
| 2        | BEHC0208             | 8          | 1     | 2              | 209        | 22-1/4  | 11-1/8  | 6-3/8 | 7-1/16 | 14-1/4   | 14-1/2  | 10-1/2 | 4-3/8   | 1-1/4  | 12-1/4 | 7-9/16  | 28-3/4 | 10-3/4 | 3/16 |
|          | BEHC0216             | 16         | 2-1/2 |                | 210        |         |         |       |        |          |         |        |         |        |        |         |        |        |      |
|          | BEHC0305             | 5          | 1     |                | 296        |         |         |       |        |          |         |        |         |        |        |         |        |        |      |
| 3        | BEHC0310             | 10         | 2-1/2 | 3              | 304        | 25-9/16 | 12-7/8  | 7-7/8 | 7-1/8  | 14-1/4   | 14-1/4  | 8-1/2  | 4-3/16  | 1-1/4  | 13-1/2 | 7-13/16 | 30-1/2 | 12-1/4 | 7/32 |

\* Two speed hoist has a 1/2 H.P. motor

\*\* Maximum length between one & two speed model hoists. Consult factory for exact dimensions.

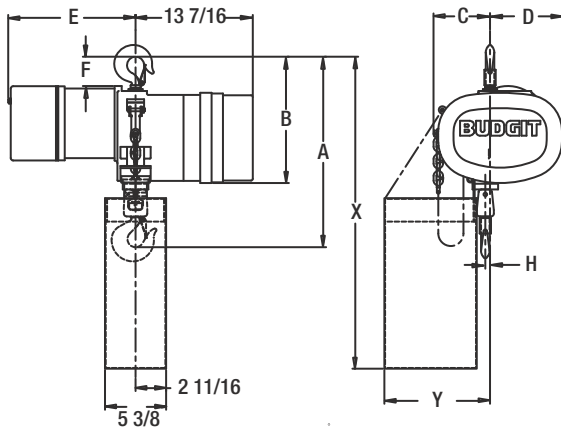
\*\*\* Dimensions based on lifts thru 30 ft (1/4 - 1 Ton capacities), thru 15 ft lift (2 Ton capacity) and thru 10 ft lift (3 Ton capacity)

# VFD Hoist

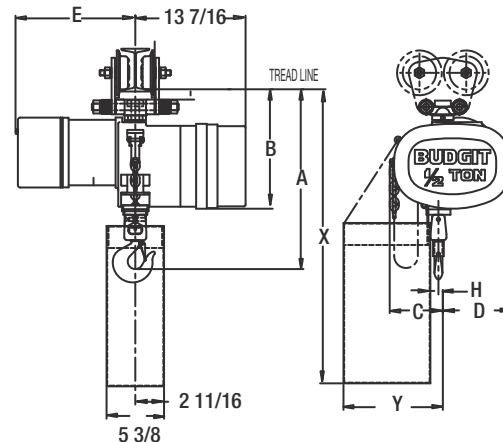


- Variable speed control with single speed motor
- Minimizes high-starting current on motor which helps keep it cool extending life of motor and also permits increase in motor run-time and starts/stops over standard contactor control.
- Electronic reversing, multispeed operation (up to 3 steps) eliminates conventional magnetic contactors which are wearable components
- Voltages available are 380-460/3/60, 208-230/3/60 and 208-230/1/60
- 10:1 speed ratio permits precise positioning for load spotting
- H4 duty rating
- 2-step infinitely variable push-button control standard. 3-step also available
- Thermal overload protection
- Fault recorder helps troubleshoot various problems such as power related issues.
- 3 programmable outputs

## Hook Mount



## Lug Mount



## Specifications & Dimensions

| Capacity | Hoist Catalog # | Lift Speed | Motor | Parts of Chain | Net Weight | A      |          | B       |         | C     | D      | E* Max. | F       | G      | X**    |        | Y      |
|----------|-----------------|------------|-------|----------------|------------|--------|----------|---------|---------|-------|--------|---------|---------|--------|--------|--------|--------|
|          |                 |            |       |                |            | Hook   | Lug      | Hook    | Lug     |       |        |         |         |        | Hook   | Lug    |        |
| tons     |                 | FPM        | H.P.  |                | lbs        | in     | in       | in      | in      | in    | in     | in      | in      | in     | in     | in     |        |
| 1/4      | BEHC2516V       | 16         | 1/4   | 1              | 77         | 16-3/4 | 16-13/16 | 11-1/8  | 11-3/16 | 5     | 6-5/16 | 14-1/4  | 2-9/16  | 15/16  | 27-1/2 | 27-5/8 | 9-1/2  |
|          | BEHC2532V       | 32         | 1/2   |                | 80         |        |          |         |         |       |        |         |         |        |        |        |        |
|          | BEHC2564V       | 64         | 1     |                | 77         |        |          |         |         |       |        |         |         |        |        |        |        |
| 1/2      | BEHC5016V       | 16         | 1/2   | 1              | 80         | 16-3/4 | 16-13/16 | 11-1/8  | 11-3/16 | 5     | 6-5/16 | 14-1/4  | 2-9/16  | 15/16  | 27-1/2 | 27-5/8 | 9-1/2  |
|          | BEHC5032V       | 32         | 1     |                | 81         |        |          |         |         |       |        |         |         |        |        |        |        |
|          | BEHC0108V       | 8          | 1/2   |                | 88         |        |          |         |         |       |        |         |         |        |        |        |        |
| 1        | BEHC0116V       | 16         | 1     | 1              | 89         | 17-1/2 | 17-3/8   | 11-7/16 | 11-3/8  | 5-1/8 | 6-5/16 | 14-1/4  | 2-15/16 | 1-1/8  | 27-7/8 | 27-3/4 | 9-1/2  |
|          | BEHC0132V       | 32         | 2-1/2 |                | 95         |        |          |         |         |       |        |         |         |        |        |        |        |
|          | BEHC0204V       | 4          | 1/2   |                | 110        |        |          |         |         |       |        |         |         |        |        |        |        |
| 2        | BEHC0208V       | 8          | 1     | 2              | 111        | 23     | 22-1/16  | 13-1/8  | 12-3/16 | 6-3/8 | 5-1/16 | 14-1/4  | 4-9/16  | 1-1/16 | 33-1/2 | 32-5/8 | 10-3/4 |
|          | BEHC0216V       | 16         | 2-1/2 |                | 112        |        |          |         |         |       |        |         |         |        |        |        |        |
|          | BEHC0305V       | 5          | 1     |                | 136        |        |          |         |         |       |        |         |         |        |        |        |        |
| 3        | BEHC0310V       | 10         | 2-1/2 | 3              | 146        | 25-7/8 | 26-5/16  | 14-3/8  | 14-7/8  | 7-7/8 | 7-1/8  | 14-1/4  | 5-7/8   | 2      | 38-7/8 | 39-1/4 | 12-1/4 |

\* Maximum length for 3 phase model hoists. Consult factory for exact dimensions.

\*\* Dimensions based on lifts thru 30 ft (1/4 - 1 Ton capacities), thru 15 ft lift (2 Ton capacity) and thru 10 ft lift (3 Ton capacity)



### **WEATHER RESISTANT**

Weather resistant options such as water resistant covers, zinc-plated load chain, upper & lower hooks and sealing of electrical joints permit the hoist to be used for out door applications.



### **HEAVY DUTY RIGID MOUNT TROLLEYS FOR HEAVY DUTY SERVICE TRAVERSE APPLICATIONS**

Designed for use specifically with BUDGIT® lug mounted electric chain hoists. The wheels are heat treated forged steel with dual tread design for operation on either "S" or wide flange beams. Sealed precision ball bearings and heavy gauge steel side plates provide a heavy duty unit. Optional drop lugs available.



### **HOOK SUSPENSION**

Standard on all electric hoists. Hook suspension provides portability allowing the hoist to be moved throughout a facility.



### **LUG SUSPENSION BRACKETS**

Used to convert hoists from hook to lug suspensions. Must be used to accommodate rigid mount push, hand-gearred and motor-driven trolleys.



### **FOOD & PHARMACEUTICAL SERVICE OPTIONS**

Clean hoist (no paint) or FDA approved epoxy enamel paint, stainless steel load chain, hooks & lower block, and food grade lubrication.



### **PUSH-BUTTON STATION**

All motions can be controlled from a convenient, easy to operate NEMA 4X push-button station. Push-button stations are available for one and two speed, or variable frequency applications.



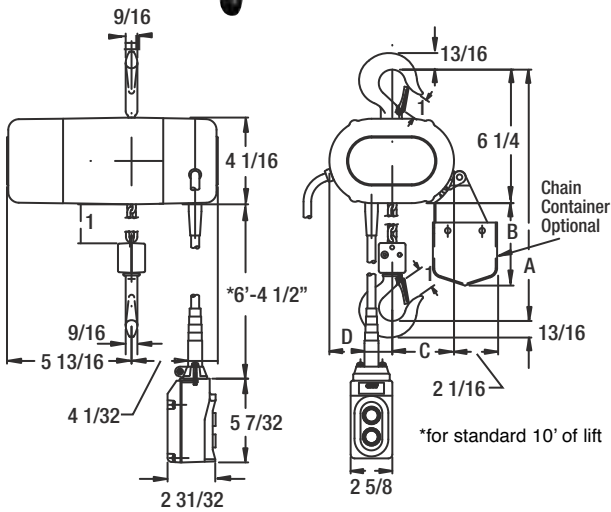
### **LINK CHAIN**

Link chain hoists are ideally suited for applications requiring heavier capacities, faster hoisting speeds and/or heavier duty cycles.



### **CABLE REELS**

Spring loaded reels keep power conductor cables taut and out of the way. Suitable for use with BUDGIT® and other electric hoists and trolleys. Cable reel is stationary type with a 340° pivot base.



- Easy installation and maintenance
- Standard protector overload device
- 10-pocket, oblique lay liftwheel for smooth chain operation, constant chain speed and reduced chain wear
- NEMA 4, industrial-rated control station
- Gear train lifetime lubricated with non-oxidizing grease
- Alloy load chain for smooth operation and maximum chain life
- Thermally-protected hoist duty motor
- Dual brake system - D.C. plus regenerative
- Rugged cast aluminum alloy hoist frame
- Small, compact design for commercial applications
- Totally enclosed, non-ventilated hoist frame protects the motor from environmental contamination
- Optional impact-resistant chain container is available
- Rigid latch style upper hook prevents tangling of power cord
- Precision bearings used throughout the hoist
- Hardened forged steel latch-style lower hook rotates 360°
- True vertical lift
- Lifetime Warranty

## Specifications & Dimensions

| Capacity | Lift Speed | Motor | Reeving | Hoist Catalog Number |          |          |          | Lift | A       | B     | C       | D      | Shipping Weight |
|----------|------------|-------|---------|----------------------|----------|----------|----------|------|---------|-------|---------|--------|-----------------|
|          |            |       |         | *115-1-60            | 115-1-60 | 230-3-60 | 460-3-60 |      |         |       |         |        |                 |
| lbs.     | FPM        | H.P.  |         |                      |          |          | ft.      | in   | in      | in    | in      | lbs.   |                 |
| 250      | 16         | 1/16  | single  | 931770               | -        | -        | -        | 10   | 11-1/16 | 3-7/8 | 2-15/16 | 3      | 26              |
|          | 16         |       | single  | -                    | 931769   | 931771   | 931772   |      |         |       |         |        | 28              |
|          | 24         |       | single  | -                    | -        | 931774   | 931775   |      |         |       |         |        | 28              |
|          | 40         |       | single  | -                    | -        | 931777   | 931778   |      |         |       |         |        | 28              |
| 300      | 16         | 1/16  | single  | 931781               | -        | -        | -        | 10   | 11-1/16 | 3-7/8 | 2-15/16 | 3      | 26              |
|          | 16         |       | single  | -                    | 931780   | 931783   | 931784   |      |         |       |         |        | 28              |
|          | 24         |       | single  | -                    | -        | 931786   | 931787   |      |         |       |         |        | 28              |
|          | 40         |       | single  | -                    | -        | 931806   | 931807   |      |         |       |         |        | 28              |
| 500      | 8          | 1/16  | double  | 931843               | -        | -        | -        | 10   | 12-1/8  | 5-3/4 | 2-3/8   | 3-9/16 | 32              |
|          | 8          |       | double  | -                    | 931842   | 931844   | 931845   |      |         |       |         |        | 34              |
|          | 12         |       | single  | 931838               | -        | -        | -        |      |         |       |         |        | 26              |
|          | 12         |       | single  | -                    | 931837   | 931839   | 931840   |      |         |       |         |        | 28              |
|          | 20         |       | double  | -                    | -        | 931847   | 931848   |      |         |       |         |        | 34              |
|          | 24         |       | single  | -                    | -        | 931862   | 931863   |      |         |       |         |        | 28              |
| 600      | 8          | 1/16  | double  | 931791               | -        | -        | -        | 10   | 12-1/8  | 5-3/4 | 2-3/8   | 3-9/16 | 34              |
|          | 8          |       | double  | -                    | 931790   | 931793   | 931794   |      |         |       |         |        | 34              |
|          | 12         |       | double  | -                    | -        | 931796   | 931797   |      |         |       |         |        | 34              |
|          | 20         |       | double  | -                    | -        | 931880   | 931881   |      |         |       |         |        | 34              |
| 1000     | 6          | 1/16  | double  | 931866               | -        | -        | -        | 10   | 12-1/8  | 5-3/4 | 2-3/8   | 3-9/16 | 34              |
|          | 6          |       | double  | -                    | 931865   | 931867   | 931868   |      |         |       |         |        | 34              |
|          | 8          |       | double  | -                    | -        | 931870   | 931871   |      |         |       |         |        | 32              |
|          | 12         |       | double  | -                    | -        | 931873   | 931874   |      |         |       |         |        | 32              |

\* Contractor in PB station



The first Budgit air hoist was introduced in 1958 in response to an industry need for an economical, high-performance air hoist. Constant improvements in design have kept Budgit air hoists ahead of changing industry demands.

## Budgit Air Hoist Advantages



- **Precise Load Spotting**  
Lifting and lowering speeds are continuously variable from zero to maximum.
- **Operates In Extreme Heat**  
The air hoist motor is designed for operation under conditions of relatively high ambient temperatures without need for special protection.
- **Higher Speeds**  
For applications where speed is a critical factor in production, Budgit air hoists provide very fast lowering speeds.
- **Free From Hazard of Electrical Shock**  
Since compressed air is the power source, Budgit air hoists have a distinct advantage over electrical shock hazards especially in wet locations.
- **Spark Resistant Features**  
Spark resistant options allow air hoists to be used in areas where danger of combustion or explosion from atmospheric conditions exist.
- **Easier To Maintain**  
There are no contactors, transformers, motor windings, fuses, etc. that are typical in electric hoists that need to be checked or replaced. As long as air going into the air motor is good and lubrication is supplied to the air motor, the Budgit air hoist is very easy to maintain.



UNSURPASSED **VALUE** WITH A **BUDGIT**



- Die-cast aluminum frame - lightweight, rugged, holds shafts and bearings in close alignment
- Gearing - combination of precision cut, heat treated helical and spur gears for quiet, efficient operation
- Mechanical load brake - positive action, spring biased Weston type load brake holds the load and provides exact load spotting and control
- Overload protection - MANGUARD overload device protects against excessive overloads... clutch also acts at upper and lower limits
- Multi-vane rotary air motor - eight vanes provide high torque smooth operation, positive starting and excellent control
- Internal Muffler - reduces sound level
- Pendant control - pendant throttle handle is of the full flow design for excellent load spotting capabilities
- Throttle valve - precision throttle valves meter the air for smooth operation

## Basic Hoist Data

### Rated Loads

1,2, and 3-ton (Spark resistant models are rated at 1/2, 1 and 2-ton).

### Air Pressure Recommended

90 PSI

### Air Consumption

70 SCFM (full load-full speed) slow speed model;  
80 SCFM (full load-full speed) fast speed model.

### Pendant Control Hose

6 foot pendant hose standard for 10 foot lift hoist, longer hose assemblies up to 36 foot available.

### Lift

10 foot lifts are standard. Additional lifts available.

### Net Weight (Basic Hoist)

100 lbs.

### Suspension

Hook or lug

### Air Inlet Size

3/4 NPTF

### Air Supply Hose Size

3/4 I.D. min.

## Hook & Lug Suspension Specifications

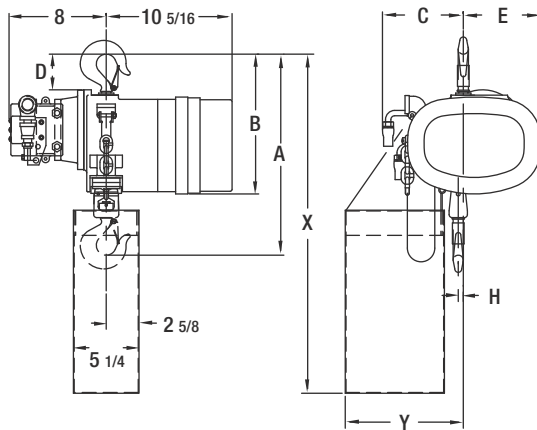
| Capacity | Model           | Hoist Catalog # | Full Load Lift Speed | Full Load Lowering Speed | Parts of Chain | Net Weight |
|----------|-----------------|-----------------|----------------------|--------------------------|----------------|------------|
| tons     |                 |                 | *FPM                 | *FPM                     |                | lbs.       |
| 1/2      | Hook / Spark    | 911683          | 16                   | 22                       | 1              | 95         |
|          | Lug / Spark     | 911693          |                      |                          |                | 110        |
| 1        | Hook / Standard | 911644          | 13                   | 18                       | 1              | 93         |
|          |                 | 911641          | 30                   | 42                       |                | 95         |
|          | Hook / Spark    | 911684          | 8                    | 11                       | 2              | 112        |
|          |                 | 911654          | 13                   | 18                       | 1              | 106        |
|          | Lug / Standard  | 911651          | 30                   | 42                       |                | 108        |
|          |                 | Lug / Spark     | 911694               | 8                        | 11             | 2          |
| 2        | Hook / Standard | 911645          | 6                    | 9                        | 2              | 110        |
|          |                 | 911642          | 15                   | 12                       |                | 112        |
|          | Hook / Spark    | 911685          | 5                    | 7                        | 3              | 146        |
|          |                 | 911655          | 6                    | 9                        | 2              | 116        |
|          | Lug / Standard  | 911652          | 15                   | 21                       |                | 118        |
|          |                 | Lug / Spark     | 911695               | 5                        | 7              | 3          |
| 3        | Hook / Standard | 911646          | 4                    | 6                        | 3              | 144        |
|          |                 | 911643          | 10                   | 14                       |                | 146        |
|          | Lug / Standard  | 911656          | 4                    | 6                        |                | 164        |
|          |                 | 911653          | 10                   | 14                       |                | 166        |

\*Hoist speeds based on 90 PSI line pressure with full rated hoist load

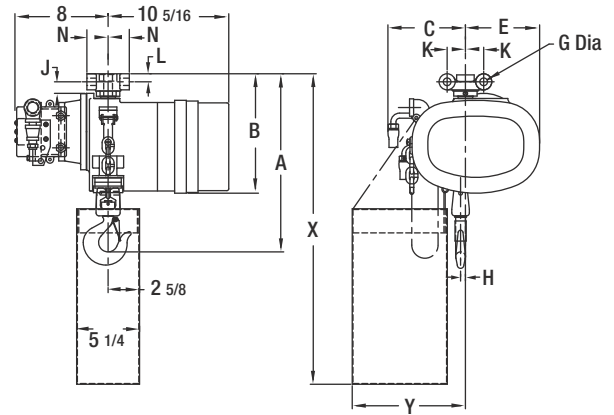
## Hook Suspension Specifications & Dimensions

| Capacity | Model           | Hoist Catalog # | A      | B        | C       | D       | E      | H    | X        | Y       |
|----------|-----------------|-----------------|--------|----------|---------|---------|--------|------|----------|---------|
| tons     |                 |                 | in     | in       | in      | in      | in     | in   | in       | in      |
| 1/2      | Hook / Spark    | 911683          | 16-1/2 | 11-7/16  | 6-5/8   | 2-15/16 | 6-3/8  | 7/16 | 27-13/16 | 9-11/16 |
| 1        | Hook / Standard | 911644          | 16-1/2 | 11-17/16 | 6-5/8   | 2-15/16 | 6-3/8  | 7/16 | 27-13/16 | 9-11/16 |
|          |                 | 911641          |        |          |         |         |        |      |          |         |
|          | Hook / Spark    | 911684          | 22     | 13-1/8   | 7-15/16 | 4-9/16  | 5-1/16 | 3/16 | 29-1/2   | 11      |
| 2        | Hook / Standard | 911645          | 22     | 13-1/8   | 7-15/16 | 4-9/16  | 5-1/16 | 3/16 | 29-1/2   | 11      |
|          |                 | 911642          |        |          |         |         |        |      |          |         |
|          | Hook / Spark    | 911685          | 24-7/8 | 14-3/8   | 9-3/8   | 5-7/8   | 7-1/8  | 1/4  | 30-3/4   | 12      |
| 3        | Hook / Standard | 911646          | 24-7/8 | 14-3/8   | 9-3/8   | 5-7/8   | 7-1/8  | 1/4  | 30-3/4   | 12      |
|          |                 | 911643          |        |          |         |         |        |      |          |         |

### Hook Suspension



### Lug Suspension



## Lug Suspension Specifications & Dimensions

| Capacity | Model          | Hoist Catalog # | B       | C       | E      | J       | K      | L       | M        | N       | G     | H    | X       | Y       |
|----------|----------------|-----------------|---------|---------|--------|---------|--------|---------|----------|---------|-------|------|---------|---------|
| tons     |                |                 | in      | in      | in     | in      | in     | in      | in       | in      | in    | in   | in      | in      |
| 1/2      | Lug / Spark    | 911693          | 15-1/4  | 6-5/8   | 6-3/8  | 1       | 1-9/16 | 1-11/16 | 10-13/16 | 1-13/16 | 5/8   | 7/16 | 26-9/16 | 9-11/16 |
| 1        | Lug / Standard | 911654          | 15-1/4  | 6-5/8   | 6-3/8  | 1       | 1-9/16 | 1-11/16 | 10-13/16 | 1-13/16 | 5/8   | 7/16 | 26-9/16 | 9-11/16 |
|          |                | 911651          |         |         |        |         |        |         |          |         |       |      |         |         |
|          | Lug / Spark    | 911694          | 21      | 7-15/16 | 5-1/16 | 1-11/16 | 2-1/2  | 1-7/8   | 11-1/8   | 2-3/16  | 1     | 3/16 | 27-1/2  | 11      |
| 2        | Lug / Standard | 911655          | 21      | 7-15/16 | 5-1/16 | 1-11/16 | 2-1/2  | 1-7/8   | 11-1/8   | 2-3/16  | 1     | 3/16 | 27-1/2  | 11      |
|          |                | 911652          |         |         |        |         |        |         |          |         |       |      |         |         |
|          | Lug / Spark    | 911695          | 23-5/16 | 9-3/8   | 7-1/8  | 3-1/16  | 3      | 1-1/4   | 12-7/8   | 3       | 1-1/4 | 1/4  | 29-1/4  | 12      |
| 3        | Lug / Standard | 911656          | 23-5/16 | 9-3/8   | 7-1/8  | 3-1/16  | 3      | 1-1/4   | 12-7/8   | 3       | 1-1/4 | 1/4  | 29-1/4  | 12      |
|          |                | 911653          |         |         |        |         |        |         |          |         |       |      |         |         |

## Spark Resistant Models

Spark resistant hoists offer greater protection in hazardous environments. Components for spark resistance includes bronze alloy hooks with stainless steel hook latches, lower blocks of stainless steel on single part chain and aluminum on 2 and 3 part chain, chrome nickel non-magnetic stainless steel alloy load chain, bronze limit stop with aluminum limit actuators and modified sprocket and guide. A spark resistant chain container is recommended on 10 foot lift spark resistant hoists. Spark resistant chain containers are stainless steel.

The spark resistant Series 6000 air hoists have lower speeds and are derated due to the use of stainless steel load chain. The lower wear life of stainless steel chain limits applications to medium duty service.

When specifying lug suspended spark resistant hoists, care must be taken in the trolley selection to assure that the trolley fits the derated hoist lug. If this is your first purchase, consult the factory for assistance.



- Pull cord control provides a lightweight, economical hoist for accurate control of loads
- Pendant throttle control hoists offer ergonomic one-handed controls, for ease of operation
- Inlet air swivel with built-in strainer provides free hoist movement
- Aluminum frame and end cover contributes to the lightweight, easily portable, and rugged design
- Heavy duty shoe type brake is a proven design for stopping and holding loads in heavy duty applications
- External adjustment screws for decreased lift and lower speeds
- External brake adjustment
- Limit stops prevent over-travel in upper and lowering directions
- Equa-torque gearing of alloy steel, heat treated spur gears is accurately machined to provide a close meshed, compact gear reduction
- Eight-vane motor provides high torque, smooth starting and excellent control
- Tapped exhaust port 1/2 NPTF... for clean applications or to add a supplemental muffler in addition to the built-in muffler for even quieter operation

## Basic Hoist Data

**Rated Loads**  
1/4, 1/2, and 1-ton  
(Spark resistant models are rated at 3/8 and 3/4-ton).

**Air Pressure Recommended**  
90 PSI

**Air Consumption**  
48 SCFM at 90 PSI

**Pendant Control Hose**  
6 foot length is standard. Longer lengths are an optional extra up to 72ft available.

**Control**  
Pull cord or pendant throttle

**Lift**  
10 foot lifts are standard. Additional lifts available.

**Net Weight (Basic Hoist)**  
36 lbs.

**Suspension**  
Hook or lug

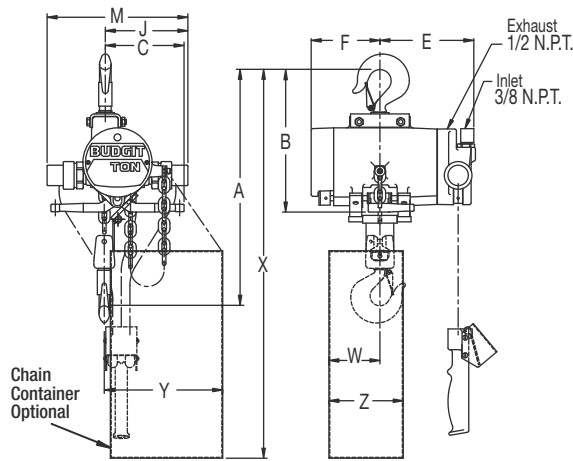
**Air Inlet Size**  
3/8 NPTF

**Air Supply Hose Size**  
1/2 I.D. min.

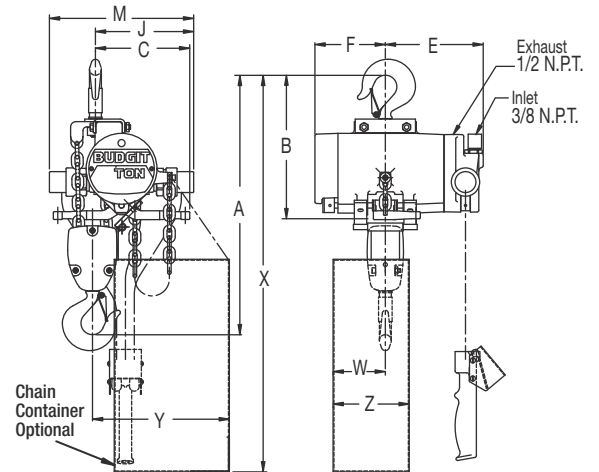
**Air Exhaust**  
1/2 NPTF

## Hook & Lug Suspension Specifications

| Type                          | Capacity | Pull Cord Control |            | Pendant Throttle Control |            | Parts of Load Chain | Lifting Speed Max** | Lowering Speed Max** |
|-------------------------------|----------|-------------------|------------|--------------------------|------------|---------------------|---------------------|----------------------|
|                               |          | Model #           | Net Weight | Model #                  | Net Weight |                     |                     |                      |
| tons                          | tons     |                   | lbs.       |                          | lbs.       | in                  | in                  | in                   |
| <b>Hook Mount Trolleys</b>    |          |                   |            |                          |            |                     |                     |                      |
| <b>Standard Models</b>        |          |                   |            |                          |            |                     |                     |                      |
| Roller Chain                  | 1/4      | 2201              | 37         | 2202                     | 47         | 1                   | 65                  | 95                   |
|                               | 1/2      | 2203              | 37         | 2204                     | 47         | 1                   | 45                  | 120                  |
|                               | 1        | 2205              | 51         | 2206                     | 61         | 2                   | 23                  | 60                   |
| Link Chain                    | 1/4      | 2211              | 36         | 2212                     | 46         | 1                   | 65                  | 95                   |
|                               | 1/2      | 2215              | 36         | 2216                     | 46         | 1                   | 45                  | 120                  |
|                               | 1        | 2219              | 49         | 2220                     | 59         | 2                   | 23                  | 60                   |
| <b>Spark Resistant Models</b> |          |                   |            |                          |            |                     |                     |                      |
| Link Chain                    | 3/8      | 2241              | 36         | 2242                     | 46         | 1                   | 60                  | 100                  |
|                               | 3/4      | 2243              | 49         | 2244                     | 59         | 2                   | 29                  | 52                   |
| <b>Lug Mount Trolleys</b>     |          |                   |            |                          |            |                     |                     |                      |
| <b>Standard Models</b>        |          |                   |            |                          |            |                     |                     |                      |
| Link Chain                    | 1/4      | 2251              | 36         | 2252                     | 46         | 1                   | 65                  | 95                   |
|                               | 1/2      | 2255              | 36         | 2256                     | 46         | 1                   | 45                  | 120                  |
|                               | 1        | 2259              | 49         | 2260                     | 59         | 2                   | 23                  | 60                   |
| <b>Spark Resistant Models</b> |          |                   |            |                          |            |                     |                     |                      |
| Link Chain                    | 3/8      | 2281              | 36         | 2282                     | 46         | 1                   | 60                  | 100                  |
|                               | 3/4      | 2283              | 49         | 2284                     | 59         | 2                   | 29                  | 52                   |



**1/4 and 1/2 ton**

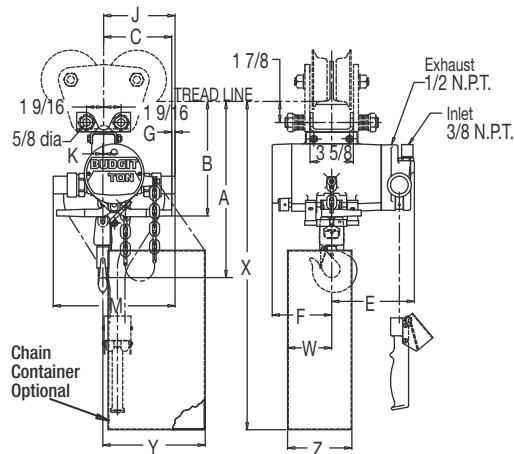


**1 ton**

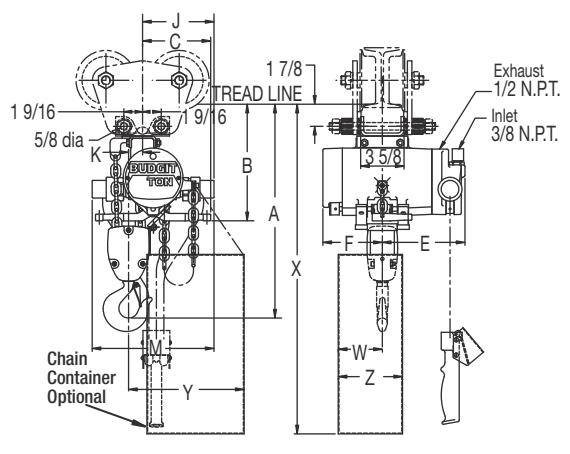
**Hook Suspension Specifications & Dimensions**

| Type                          | Capacity | Pull Cord Control Model # | Pendant Throttle Control Model # | A      | B      | C     | E      | F      | J       | M       | W     | X      | Y       | Z     |  |
|-------------------------------|----------|---------------------------|----------------------------------|--------|--------|-------|--------|--------|---------|---------|-------|--------|---------|-------|--|
| tons                          | tons     |                           |                                  | in     | in     | in    | in     | in     | in      | in      | in    | in     | in      | in    |  |
| <b>Standard Models</b>        |          |                           |                                  |        |        |       |        |        |         |         |       |        |         |       |  |
| Roller Chain                  | 1/4      | 2201                      | 2202                             | 15-1/4 | 10-1/4 | 4-3/4 | 7-1/16 | 5-1/16 | 6-15/16 | 10-3/16 | 3-5/8 | 30-1/8 | 8-9/16  | 5-1/4 |  |
|                               | 1/2      | 2203                      | 2204                             | 15-1/4 | 10-1/4 | 4-3/4 | 7-1/16 | 5-1/16 | 6-15/16 | 10-3/16 | 3-5/8 | 30-1/8 | 8-9/16  | 5-1/4 |  |
|                               | 1        | 2205                      | 2206                             | 18     | 10-1/4 | 5-3/4 | 7-1/16 | 5-1/16 | 6-15/16 | 10-3/16 | 3-5/8 | 30-1/8 | 9-11/16 | 5-1/4 |  |
| Link Chain                    | 1/4      | 2211                      | 2212                             | 15-1/4 | 10-1/4 | 4-3/4 | 7-1/16 | 5-1/16 | 6-15/16 | 10-3/16 | 3-5/8 | 30-1/8 | 8-9/16  | 5-1/4 |  |
|                               | 1/2      | 2215                      | 2216                             | 15-1/4 | 10-1/4 | 4-3/4 | 7-1/16 | 5-1/16 | 6-15/16 | 10-3/16 | 3-5/8 | 30-1/8 | 8-9/16  | 5-1/4 |  |
|                               | 1        | 2219                      | 2220                             | 18     | 10-1/4 | 5-3/4 | 7-1/16 | 5-1/16 | 6-15/16 | 10-3/16 | 3-5/8 | 30-1/8 | 9-11/16 | 5-1/4 |  |
| <b>Spark Resistant Models</b> |          |                           |                                  |        |        |       |        |        |         |         |       |        |         |       |  |
| Link Chain                    | 3/8      | 2241                      | 2242                             | 15-1/4 | 10-1/4 | 4-3/4 | 7-1/16 | 5-1/16 | 6-15/16 | 10-3/16 | *     | *      | *       | *     |  |
|                               | 3/4      | 2243                      | 2244                             | 18     | 10-1/4 | 5-3/4 | 7-1/16 | 5-1/16 | 6-15/16 | 10-3/16 | *     | *      | *       | *     |  |

\* Spark resistant chain container dimensions can be found in the Air Hoist Accessories section of this brochure



**1/4 and 1/2 ton**



**1 ton**

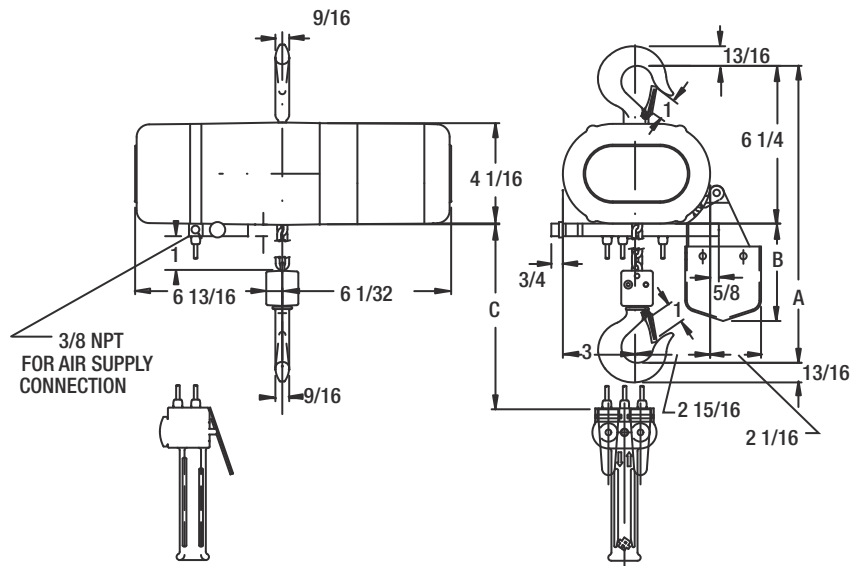
**Lug Suspension Specifications & Dimensions**

| Type                          | Capacity | Pull Cord Control Model # | Pendant Throttle Control Model # | A      | B     | C     | E      | F      | G     | J  | K      | M       | W     | X      | Y       | Z     |
|-------------------------------|----------|---------------------------|----------------------------------|--------|-------|-------|--------|--------|-------|----|--------|---------|-------|--------|---------|-------|
| tons                          | tons     |                           |                                  | in     | in    | in    | in     | in     | in    | in | in     | in      | in    | in     | in      | in    |
| <b>Standard Models</b>        |          |                           |                                  |        |       |       |        |        |       |    |        |         |       |        |         |       |
| Link Chain                    | 1/4      | 2251                      | 2252                             | 13-7/8 | 9-5/8 | 4-3/4 | 7-1/16 | 5-1/16 | 1-1/4 | 6  | 1/16   | 10-3/16 | 3-5/8 | 29-1/4 | 8-9/16  | 5-1/4 |
|                               | 1/2      | 2255                      | 2256                             | 13-7/8 | 9-5/8 | 4-3/4 | 7-1/16 | 5-1/16 | 1-1/4 | 6  | 1/16   | 10-3/16 | 3-5/8 | 29-1/4 | 8-9/16  | 5-1/4 |
|                               | 1        | 2259                      | 2260                             | 17     | 9-3/4 | 5-3/4 | 7-1/16 | 5-1/16 | 1/4   | 6  | 1-3/16 | 10-3/16 | 3-5/8 | 29-1/4 | 9-11/16 | 5-1/4 |
| <b>Spark Resistant Models</b> |          |                           |                                  |        |       |       |        |        |       |    |        |         |       |        |         |       |
| Link Chain                    | 3/8      | 2281                      | 2282                             | 13-7/8 | 9-5/8 | 4-3/4 | 7-1/16 | 5-1/16 | 1-1/4 | 6  | 1/16   | 10-3/16 | *     | *      | *       | *     |
|                               | 3/4      | 2283                      | 2284                             | 17     | 9-3/4 | 5-3/4 | 7-1/16 | 5-1/16 | 1/4   | 6  | 1-3/16 | 10-3/16 | *     | *      | *       | *     |

\* Spark resistant chain container dimensions can be found in the Air Hoist Accessories section of this brochure



- 10-pocket oblique-lay liftwheel provides longer chain life
- Epoxy powder coat finish is smooth and tough
- Double reduction gearing
- Variable flow, two-lever pendant for precise load spotting
- Threaded external exhaust for piping away exhaust in clean room or painting operations
- Rugged cast aluminum alloy hoist frame. Small, compact design for commercial and industrial applications
- Industrial-duty air motor for tough requirements
- Gear train is lifetime-lubricated with non-oxidizing grease
- Hardened, forged steel, latch-style lower hook rotates 360°. Upper hook provided with a positive load engagement.
- Chain bucket optional



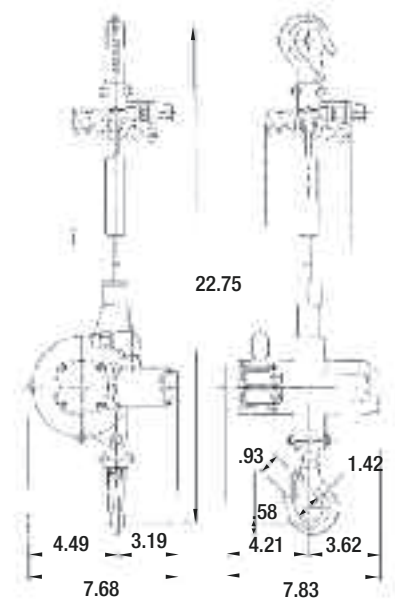
## Specifications & Dimensions

| Capacity<br>lbs. | Lift Speed<br>FPM | Parts of Chain | Hoist Catalog Number | Headroom<br>in | A<br>in  | B<br>in | *C<br>in | Shipping Weight<br>lbs. |
|------------------|-------------------|----------------|----------------------|----------------|----------|---------|----------|-------------------------|
| 250              | 0-31              | 1              | 931889               | 10-7/8         | 10-7/8   | 3-7/8   | 6'4"     | 30                      |
| 300              | 0-31              | 1              | 931890               | 10-7/8         | 10-7/8   | 3-7/8   | 6'4"     | 30                      |
| 500              | 0-21              | 1              | 931892               | 10-7/8         | 10-7/8   | 3-7/8   | 6'4"     | 30                      |
| 500              | 0-16              | 2              | 931894               | 11-15/16       | 11-15/16 | 5-3/4   | 6'4"     | 34                      |
| 600              | 0-16              | 2              | 931895               | 11-15/16       | 11-15/16 | 5-3/4   | 6'4"     | 34                      |
| 1000             | 0-11              | 2              | 931897               | 11-15/16       | 11-15/16 | 5-3/4   | 6'4"     | 34                      |

\* Pendant drop is for 10' lift. Other lifts available.



- Capacity: Rated loads 300 lbs./140 kg.
- Efficient rotary vane motor provides high uniform torque for quick response and smooth, quiet operation.
- Handle-mounted pendant control for one-handed operation and load positioning.
- Precise and infinite speed control for accurate load spotting.
- Self-winding lifting cable stores conveniently inside unit.
- Swivel top and bottom hooks with safety latches standard, for portability and quick installation.
- Secures load and eliminates drift when pendant is released.
- A 3/8" NPT air filter-regulator-lubricator is needed for effective operation. Spark resistant features are not available.
- Lifetime Warranty
- Ideal Applications
  - Assembly Line
  - Machine Shops
  - Cleaning and/or Dipping Operations
  - Manufacturing Plants
  - Power Generating Stations
  - Shipping Departments
  - Chemical Facilities
  - Fabricating Shops
  - Repetitive Lifting Applications
  - Auto/Truck Repair
  - Handling Fixtures and Dies



**Specifications & Dimensions**

| Capacity | Model # | Standard Lift | Lift Speed w/ load |      | Lift Speed w/o load |      | Air Consump. | Headroom | Housing Dimensions |       |        | Max Air Pressure | Net Weight |
|----------|---------|---------------|--------------------|------|---------------------|------|--------------|----------|--------------------|-------|--------|------------------|------------|
|          |         |               | Up                 | Down | Up                  | Down |              |          | D                  | W     | L      |                  |            |
| lbs.     |         | ft.           | FPM                |      |                     |      | CFM          | in       | in.                |       |        | psi              | lbs.       |
| 300      | TMM-140 | 6' 6"         | 36                 | 59   | 49                  | 39   | 21.2         | 22-3/4   | 7-2/3              | 7-7/8 | 23-3/4 | 70-95            | 18.7       |

# Air Hoist Accessories



## FILTER-LUBRICATOR UNIT

Air hoists must have a supply of clean, lubricated air for their operation. A filter and lubricator must be installed in the air supply line, as close as practical to the hoist. The recommended operating air pressure for all capacities of Budget air hoists is 90 psig. When air line pressure exceeds 115 psig, it is required that a pressure regulator be provided in the supply line to maintain proper pressure.



### Filter - Lubricator Units

| Catalog # | Inlet / Outlet Size | Bowl Size. | Shipping Weight |
|-----------|---------------------|------------|-----------------|
|           | in                  | oz.        | lbs.            |
| 902960    | 3/8                 | 11         | 8               |
| 902961    | 1/2                 | 11         | 8               |
| 902962    | 3/4                 | 24         | 12              |
| 902963    | 1                   | 24         | 12              |

### Filter - Regulator - Lubricator Units

| Catalog # | Inlet / Outlet Size | Bowl Size. | Shipping Weight |
|-----------|---------------------|------------|-----------------|
|           | in                  | oz.        | lbs.            |
| 902966    | 3/8                 | 11         | 14              |
| 902967    | 1/2                 | 11         | 14              |
| 902968    | 3/4                 | 24         | 18              |
| 902969    | 1                   | 24         | 18              |



## BULLARD HOOKS

All hoists are furnished as standard with hooks equipped with hook latches. Bullard Hooks with rugged cast swing gate locking member that provides greater assurance of load containment are available at additional cost. Spark resistant Bullard Hooks are not available.



## REDUNDANT SUPPORT

Hoist suspension redundant support for Series 2200 hoist is available for additional cost. This redundant support features a cable that inserts through the hoist frame and around the initial support.



## PENDANT THROTTLE CONVERSION KIT

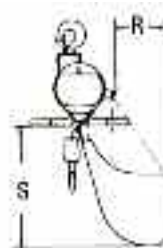
Kits for converting the pull cord Series 2200 Budget Air Hoist to pendant throttle operation has standard 6-foot pendant hose assembly. Longer hose assemblies available. Order Catalog No. 2269. Shipping weight is 8 pounds.

## CHAIN CONTAINERS

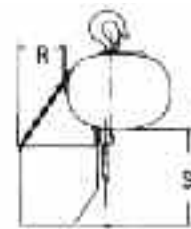
Chain containers provide an ideal means for eliminating hanging tail chains. They are easily installed and accept the chain in such a way that chains tend not to kink or twist. State codes are more frequently calling for use of chain container with each hoist.

### Chain Container for Series 2200 Air Hoist

| Catalog # | Chain Type      | Maximum Lift      |            | Shipping Weight | Dimension |        |
|-----------|-----------------|-------------------|------------|-----------------|-----------|--------|
|           |                 | 1/4, 3/8, 1/2 Ton | 3/4, 1 Ton |                 | R         | S      |
|           |                 | ft                | ft         | lbs.            | in        | in     |
| 902631    | Link Chain      | 25                | 12         | 4-1/2           | 4-1/2     | 12     |
| 902635    | Link Chain      | 45                | 22         | 9               | 4-1/2     | 17     |
| 902634    | Link Chain      | 25                | 12         | 5               | 4-1/2     | 12     |
| 902636    | Spark Resistant | 45                | 22         | 10              | 4-1/2     | 7      |
| 902632    | Roller Chain    | 15                | -          | 6-1/2           | 9         | 17-1/2 |
| 902633    | Roller Chain    | 30                | 15         | 11              | 12-1/2    | 22-1/4 |



Series 2200



Series 6000

### Chain Container for Standard Series 6000 Air Hoist

| Catalog # | Maximum Lift |            |            | Shipping Weight | Dimension |    |
|-----------|--------------|------------|------------|-----------------|-----------|----|
|           | 1 Ton        | 2 Ton      | 3 Ton      |                 | R         | S  |
|           | ft           | ft         | ft         | lbs.            | in        | in |
| 905434    | 15           | do not use | do not use | 4               | 4-1/2     | 10 |
| 905435    | 30           | 15         | 10         | 8               | 4-1/2     | 15 |
| 905436    | 45           | 22         | 15         | 10              | 4-1/2     | 19 |
| 905437    | 60           | 30         | 20         | 14              | 4-1/2     | 23 |
| 905438    | 75           | 37         | 25         | 15              | 4-1/2     | 28 |
| 905439    | 90           | 45         | 30         | 16              | 4-1/2     | 33 |

### Chain Container for Spark Resistant Series 6000 Air Hoist

| Catalog # | Maximum Lift |            |            | Shipping Weight | Dimension |    |
|-----------|--------------|------------|------------|-----------------|-----------|----|
|           | 1/2 Ton      | 1 Ton      | 2 Ton      |                 | R         | S  |
|           | ft           | ft         | ft         | lbs.            | in        | in |
| 905444    | 15           | do not use | do not use | 4               | 4-1/2     | 10 |
| 905445    | 30           | 15         | 10         | 8               | 4-1/2     | 15 |
| 905446    | 45           | 22         | 15         | 10              | 4-1/2     | 19 |
| 905447    | 60           | 30         | 20         | 14              | 4-1/2     | 23 |
| 905448    | 75           | 37         | 25         | 15              | 4-1/2     | 28 |
| 905449    | 90           | 45         | 30         | 16              | 4-1/2     | 33 |



## AIR HOSE ASSEMBLY

Assembly requires Catalog No. for both hose and fittings

### Air Supply Hose

| Catalog # | ID  | OD    | Braid | Max. PSI | Width |
|-----------|-----|-------|-------|----------|-------|
|           | in  | in    |       |          | ft    |
| 901610    | 1/2 | 15/16 | 1     | 200      | 0.33  |
| 901611    | 3/4 | 1-1/4 | 2     | 225      | 0.52  |
| 901612    | 1   | 1-1/2 | 3     | 200      | 0.65  |

### Fittings\*

Male Swivel at One End -  
Standard Male at Opposite End

| Catalog # | Hose ID | Thread Size M-NPT |
|-----------|---------|-------------------|
|           | in      | in                |
| 901614    | 1/2     | 3/8               |
| 901615    | 3/4     | 3/4               |
| 901616    | 1       | 3/4               |

\* Fitting installed on above hose.

### Fittings with Quick Disconnect\*

Quick Disconnect on One End -  
Standard Male at Opposite End

| Catalog # | Hose ID | Thread Size M-NPT |
|-----------|---------|-------------------|
|           | in      | in                |
| 901618    | 1/2     | 3/8               |
| 901619**  | 3/4     | 3/4               |
| 901620**  | 1       | 3/4               |

\* Fitting installed on above hose.  
\* 3/4 NPT Quick disconnect is without check valve.



### AIR HOSE TROLLEYS CATALOG NO. 254

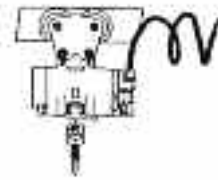
(For use with Series 2200 and Series 6000 Air Hoists)

These trolleys are used to support air hose and are installed on the same track as a hoist. Hose clamp swivels and will fit 5/8 to 1-1/2 inch diameter hoses. Shipped from factory in cartons of six only.

### RECOIL AIR HOSE WITH FITTING

For application where air hose trolleys with looped hose is impractical; coil type self-storing hose is recommended.

### Self Storing Air Hose with Fittings



| Catalog # | Hose Size x Working Length | Fitting Each End              |
|-----------|----------------------------|-------------------------------|
|           | I.D. in x ft               |                               |
| 901621    | 1/2 x 15                   | 3/8 NPTF Male Swivel Fittings |
| 901622    | 1/2 x 25                   |                               |
| 901624    | 3/4 x 15                   | 3/4 NPTF Male Swivel Fittings |
| 901625    | 3/4 x 25                   |                               |
| 901626    | 3/4 x 50                   |                               |

### Nylon Coated Cable with Eyebolt Fittings Each End for Supporting Recoil Air Hose (Supports by Others)

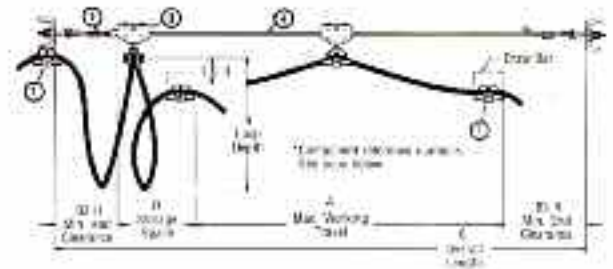
| Catalog # | Length |
|-----------|--------|
|           | ft     |
| 901629    | 25     |
| 901630    | 50     |

## WIRE ROPE FESTOON SYSTEMS FOR AIR SUPPLY HOSE

System include (note numerical key in illustration at right): (1) 2 end clamp assemblies; (2) 1 hardware kit consisting of 2 eye-bolts, 5 clamps and 1 ball stop; (3) Intermediate carriers - see specified quantity in last column of chart below; (4) Nylon covered wire rope per required length.

### Hose System (from 0.91" to 1.25" O.D.)

| Catalog # | A  | B  | C    | D    | Maximum Combine Cable Wt. | Clamp Distance | No. of Carriers (item 3) |
|-----------|----|----|------|------|---------------------------|----------------|--------------------------|
|           | ft | ft | ft   | ft   | lbs. / ft                 | ft             |                          |
| 901601    | 16 | 3  | 18.5 | 0.84 | 1.31                      | 6.87           | 2                        |
|           | 21 | 4  | 23.5 | 0.84 | 1.01                      | 8.87           | 2                        |
| 901602    | 28 | 3  | 31.1 | 1.40 | 1.31                      | 6.87           | 4                        |
|           | 37 | 4  | 40.1 | 1.40 | 1.01                      | 8.87           | 4                        |
| 901603    | 40 | 3  | 43.6 | 1.97 | 1.31                      | 6.87           | 6                        |
|           | 52 | 4  | 55.6 | 1.97 | 1.01                      | 8.87           | 6                        |



### NOTE:

Festooning hose and connectors are not included in the system.

# Rigid Mount Trolley



- Designed especially for use with lug suspended BEHC, 6000 Series, 2200 Series and USA Models.
- Ideal for low head room applications where distance from floor to I-beam is limited.
- Trolley side plates are of all-steel construction providing maximum strength.
- Wheels have hardened dual treads ensuring long life and operate on ball bearings for easy travel. Pressure fittings are provided in wheel axels to simplify lubrication.
- Dual treads allow trolley to run on both I-beam and width flange type beam applications. Optional patented type wheels available for patented track systems.
- Hand-gearred models, the hand chain operated wheel turns a pinion which meshes with steel gears for ease of operation and accurate spotting. Chain guide provided to ensure chain alignment with wheel.
- Anti-tilt rollers are provided on hand-gearred trolleys to eliminate the tilting of trolley on beam when operating with a light load or without a load.
- Optional safety drop stops and bumpers available.
- Spark resistant models available, heavy duty rigid mount trolleys.

## Specifications & Dimensions

| Capacity                               | Push Trolley |            | Hand Geared* |            | Flange widths               | Min. Beam Depth** | Min. Radius Curve | A     | B       | C      | D      | WD      | F Max.† | G Dia. | H      | J Max.  | M Max.   | N     |
|--|--------------|------------|--------------|------------|-----------------------------|-------------------|-------------------|-------|---------|--------|--------|---------|---------|--------|--------|---------|----------|-------|
|  | Model #      | Net Weight | Model #      | Net weight |                             |                   |                   |       |         |        |        |         |         |        |        |         |          |       |
| tons                                   |              | lbs.       |              | lbs.       | in                          | in                | in                | in    | in      | in     | in     | in      | in      | in     | in     | in      | in       | in    |
| <b>Rigid Mount Trolleys</b>            |              |            |              |            |                             |                   |                   |       |         |        |        |         |         |        |        |         |          |       |
| 1/4 & 1/2                              | 905401       | 15         | -            | -          | 2-5/8 to 4-5/8 <sup>§</sup> | 4                 | 2' 6"             | 4-3/8 | 2-5/8   | 3-3/16 | 11/16  | 3-1/8   | 1-5/8   | 5/8    | 8-1/8  | 3-11/16 | -        | 3-1/8 |
|  | 905402       | 23         | -            | -          | 3 to 5                      | 5                 | 3' 6"             | 6-1/8 | 2-9/16  | 3-7/8  | 11/16  | 4       | 1-7/8   | 5/8    | 8-7/8  | 5       | -        | 3-1/8 |
|  | 905405       | 24         | -            | -          | 5-1/4 to 7-3/8              |                   |                   |       |         |        |        |         |         |        | 11-1/8 |         | -        |       |
|  | -            | -          | 905411       | 40         | 3 to 5                      |                   |                   |       |         |        |        |         |         |        | 8-7/8  |         | 9-3/4    |       |
|  | -            | -          | 905413       | 41         | 5-1/4 to 7-3/8              |                   |                   |       |         |        |        |         |         |        | 11-1/8 |         | 11-1/8   |       |
| 2                                      | 905403       | 43         | 905412       | 57         | 3-3/8 to 6                  | 6                 | 5' 0"             | 6-7/8 | 3-13/16 | 4-7/16 | 1      | 4-15/16 | 2       | 1      | 10-1/8 | 5-13/16 | 10-1/4   | 5     |
|  | 905406       | 44         | 905414       | 58         | 6-1/4 to 8-7/8              |                   |                   |       |         |        |        |         |         |        | 13     |         | 11-7/8   |       |
| 3                                      | 905404       | 50         | 905417       | 65         | 3-3/8 to 6                  | 6                 | 5' 0"             | 6-7/8 | 4-3/16  | 5-3/4  | 1-3/8  | 4-15/16 | 3-1/4   | 1-1/4  | 12-3/4 | 5-13/16 | 18-3/8   | 6     |
|  | 905407       | 52         | 905418       | 67         | 6-1/8 to 8-7/8              |                   |                   |       |         |        |        |         |         |        | 15-3/4 |         | 19-7/8   |       |
|  | 905408       | 54         | 905419       | 69         | 9 to 11                     |                   |                   |       |         |        |        |         |         |        | 17-7/8 |         | 21-1/8   |       |
| <b>Heavy Duty Rigid Mount Trolleys</b> |              |            |              |            |                             |                   |                   |       |         |        |        |         |         |        |        |         |          |       |
| 1                                      | 900211       | 35         | 900261       | 50         | 3 to 5                      | 6                 | 3' 0"             | 7-5/8 | 3       | 3-7/8  | 3/4    | 4       | 1-7/8   | 5/8    | 8-7/8  | 4-7/8   | 10-9/16  | 3-1/8 |
|  | 900212       | 38         | 900262       | 53         | 5-1/8 to 7-1/4              |                   |                   |       |         |        |        |         |         |        | 11-1/4 |         | 11-11/16 |       |
|  | 900213       | 41         | 900263       | 56         | 7-1/2 to 9-1/8              |                   |                   |       |         |        |        |         |         |        | 12-3/4 |         | 12-5/8   |       |
| 2                                      | 900221       | 45         | 900271       | 60         | 3-3/8 to 6                  | 6                 | 5' 0"             | 9-1/8 | 3       | 4-1/8  | 1-5/16 | 4       | 2-1/8   | 1      | 9-1/2  | 4-7/8   | 10-1/16  | 5     |
|  | 900222       | 48         | 900272       | 63         | 6-1/4 to 8-5/8              |                   |                   |       |         |        |        |         |         |        | 12-1/8 |         | 11-3/8   |       |
|  | 900223       | 51         | 900273       | 66         | 8-7/8 to 11-1/4             |                   |                   |       |         |        |        |         |         |        | 14-3/4 |         | 12-11/16 |       |
| 3                                      | 900231       | 55         | 900281       | 70         | 4 to 6-1/4                  | 6                 | 5' 0"             | 9-1/8 | 3-1/4   | 4-1/2  | 1-3/8  | 4       | 2-1/2   | 1-1/4  | 12     | 4-7/8   | 16-1/2   | 6     |
|  | 900232       | 58         | 900282       | 73         | 6-3/8 to 8-5/8              |                   |                   |       |         |        |        |         |         |        | 14-3/8 |         | 17-11/16 |       |
|  | 900233       | 62         | 900283       | 77         | 8-3/4 to 11                 |                   |                   |       |         |        |        |         |         |        | 16-3/4 |         | 18-7/8   |       |

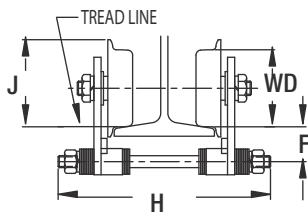
\* Hand-gearred trolleys have standard hand chain drop of 9'-6". Longer chain available.

\*\* When used on smallest I-Beam size, beam must be free of all obstructions such as clips, suspension bolts and nuts.

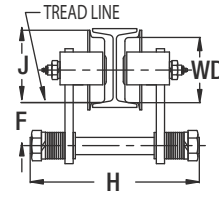
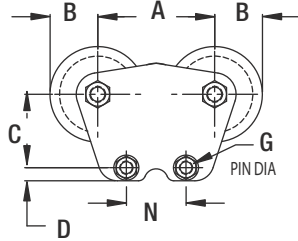
§ For 1/4 and 1/2 ton applications on wider flange beams, mount on 1 ton trolleys.

¥ Dimension "F" is based on largest size beam on which trolley will operate. Dimension increases slightly for each of the smaller beam sizes.

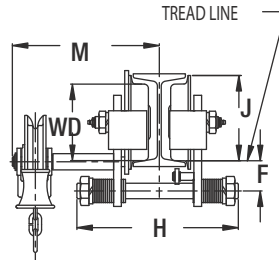
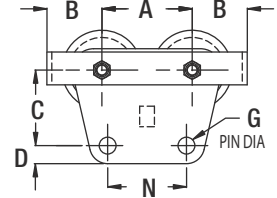
**Rigid Mount Trolleys**



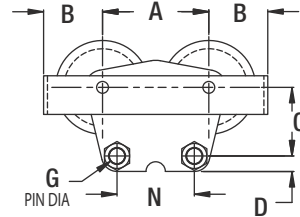
**Push Trolley 1/4, 1/2 & 1 ton**



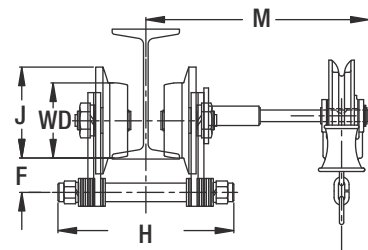
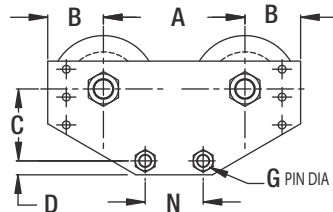
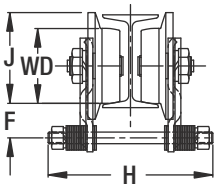
**Push Trolley 2 & 3 ton**



**Hand-Geared Trolley 1/2, 1, 2 & 3 ton**



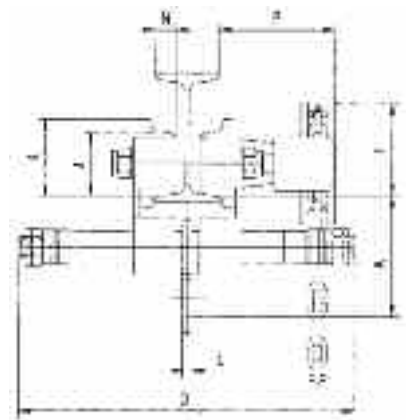
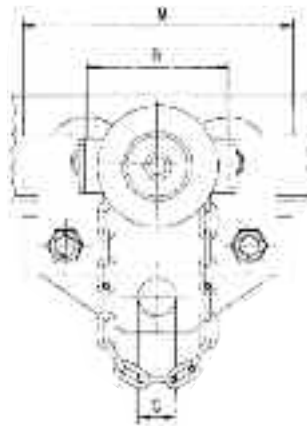
**Heavy Duty Rigid Mount Trolleys**



# Hook Suspension Trolleys



- Capacities from 1/4 to 5 ton (metric rated).
- Trolley sides are of all-steel construction for maximum strength
- Wheels are steel with hardened treads and roller bearings for easy traversing and long life
- Self aligning frames keep the load equally distributed, and are adjustable to fit several sizes of beams
- Wrap-around side plates provide built in drop stops to increase operator safety and act as a bumper to protect wheels
- Push trolleys are an economical alternative for low duty cycle, lighter capacity applications with lifts under 20 feet
- Hand geared trolleys are designed for applications requiring close control of horizontal movement of the hoist and its load
- Hand geared trolleys are deal for those applications where an operator shouldn't be near or touch the load to move or position it



## Specifications & Dimensions

| Capacity*           | Model # **   | Standard Beam Height | I-Beam Width | Min. Radius Curve | Wheel Tread Diameter |      |      |      |       |      |      |      | (CBTG) |      |       |      | Net Weight |      |
|---------------------|--------------|----------------------|--------------|-------------------|----------------------|------|------|------|-------|------|------|------|--------|------|-------|------|------------|------|
|                     |              |                      |              |                   |                      | A    | B    | C    | D     | F    | J    | K    | K      | L    | M     | N    |            | P    |
| tons                |              | in                   | in           | in                | in                   | in   | in   | in   | in    | in   | in   | in   | in     | in   | in    | in   | in         | lbs. |
| <b>Push Trolley</b> |              |                      |              |                   |                      |      |      |      |       |      |      |      |        |      |       |      |            |      |
| 1/4                 | CBTP-0025    | 4 to 24              | 2.0 to 8.7   | 27                | 2.36                 | 3.94 | 3.54 | 1.18 | 11.81 | -    | 2.36 | 2.83 | -      | 0.31 | 7.56  | 0.71 | -          | 19   |
| 1/2                 | CBTP-0050    | 4 to 24              | 2.0 to 8.7   | 27                | 2.36                 | 3.94 | 3.54 | 1.18 | 11.81 | -    | 2.36 | 2.83 | -      | 0.31 | 7.56  | 0.71 | -          | 19   |
| 1                   | CBTP(G)-0100 | 5 to 24              | 2.3 to 8.7   | 36                | 2.36                 | 4.33 | 5.12 | 1.38 | 12.20 | 3.60 | 2.36 | 2.83 | 3.03   | 0.31 | 9.84  | 0.71 | 4.33       | 26   |
| 1-1/2               | CBTP(G)-0150 | 6 to 24              | 2.3 to 8.7   | 45                | 3.15                 | 5.12 | 5.91 | 1.89 | 12.60 | 3.56 | 3.15 | 3.78 | 3.86   | 0.47 | 11.81 | 0.79 | 4.33       | 46   |
| 2                   | CBTP(G)-0200 | 6 to 24              | 2.3 to 8.7   | 45                | 3.15                 | 5.12 | 5.91 | 1.89 | 12.60 | 3.56 | 3.15 | 3.78 | 3.86   | 0.47 | 11.81 | 0.79 | 4.33       | 46   |
| 3                   | CBTP(G)-0300 | 8 to 24              | 3.0 to 8.7   | 55                | 4.41                 | 6.18 | 7.09 | 2.36 | 13.39 | 4.23 | 4.41 | 5.20 | 5.24   | 0.55 | 14.57 | 1.14 | 4.33       | 86   |
| 5                   | CBTP(G)-0500 | 10 to 24             | 3.5 to 8.7   | 70                | 4.92                 | 7.09 | 8.23 | 2.76 | 13.78 | 5.89 | 4.92 | 5.63 | 5.87   | 0.79 | 17.32 | 1.26 | 4.33       | 130  |

\* Metric rated

\*\* When ordering specify "P" for plain trolley or "G" for geared trolley

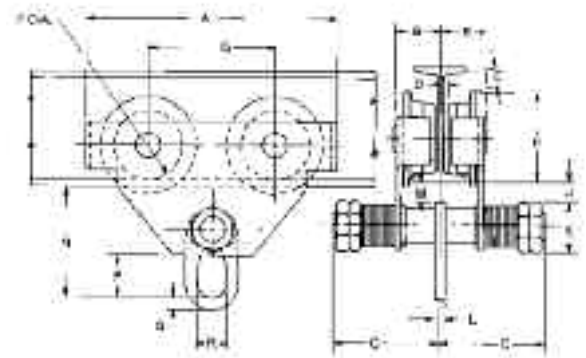
## Series 633 Ball Bearing Trolley



- Rugged steel side plates formed to include bumpers and trolley guards
- Frames connected by steel equalizer pin, secured by two nuts on each side
- Universal tread flanged trackwheels equipped with shielded ball bearings
- Easy rolling on American standard shaped, wide flange shapes or patented rail
- Hardened wheels and axles for added strength and durability
- Spacer washers can be shifted inside or outside for easy adjustment to wide range of beams
- To be used with hook suspended hoists
- Suspension plate for easy attachment is standard
- Bearings pre-packed with lifetime lubricant
- One-year warranty

### Specifications & Dimensions

| Capacity | Model # | Depth | Flange Width   | Tread Dia. Of Wheels | Min. Curve Rad. | Net Weight |
|----------|---------|-------|----------------|----------------------|-----------------|------------|
| tons     |         | in    | in             | in                   | in              | in         |
| 1/2      | 922085  | 3-15  | 2-1/2 to 5-5/8 | 2-9/32               | 35              | 17         |
| 1        | 922086  | 5-24  | 3 to 8         | 3-15/32              | 35              | 35         |
| 2        | 922087  | 6-24  | 3-5/8 to 8     | 3-15/16              | 59              | 53         |
| 3        | 922088  | 8-24  | 4 to 8         | 5-1/8                | 71              | 101        |
| 5        | 922089  | 10-24 | 4-5/8 to 8     | 6-1/8                | 94              | 145        |



| Capacity | Model # | A        | B       | C       | D     | E      | F       | G      | H       | J      | K       | L     | M      | N       | P       | Q       | R       |
|----------|---------|----------|---------|---------|-------|--------|---------|--------|---------|--------|---------|-------|--------|---------|---------|---------|---------|
| tons     |         | in       | in      | in      | in    | in     | in      | in     | in      | in     | in      | in    | in     | in      | in      | in      | in      |
| 1/2      | 922085  | 8-1/2    | 2-5/32  | 5-1/16  | 1/16  | -1/4   | 2-9/32  | 4      | 3       | 1-1/32 | 1-3/4   | 1/2   | 15/16  | 4-3/32  | 1-7/32  | 19/32   | 31/32   |
| 1        | 922086  | 10-13/16 | 2-13/32 | 6-9/16  | 7/16  | 11/32  | 3-15/32 | 4-7/8  | 4-11/32 | 1-1/32 | 2-3/32  | 1/2   | 31/32  | 5-1/16  | 1-3/4   | 19/32   | 1-5/32  |
| 2        | 922087  | 12-7/32  | 2-11/16 | 6-25/32 | 13/32 | 25/32  | 3-15/16 | 5-1/2  | 4-29/32 | 25/32  | 2-1/2   | 5/8   | 11/16  | 5-13/16 | 2-5/32  | 13/16   | 1-5/8   |
| 3        | 922088  | 14-13/16 | 3-1/16  | 7-13/32 | 1/2   | 1-7/16 | 5-1/8   | 6-9/16 | 6-1/8   | 1-3/16 | 3-13/32 | 5/8   | 15/16  | 7-7/16  | 2-9/16  | 1-3/8   | 1-31/32 |
| 5        | 922089  | 18-1/8   | 3-21/32 | 8       | 9/16  | 2-3/16 | 6-1/8   | 7-7/8  | 7-9/32  | 2-1/8  | 3-13/32 | 13/16 | 1-7/16 | 9-15/16 | 3-23/32 | 1-25/32 | 2-9/16  |

# Hook Suspension Trolleys



## Series 632 Close Radius Trolley

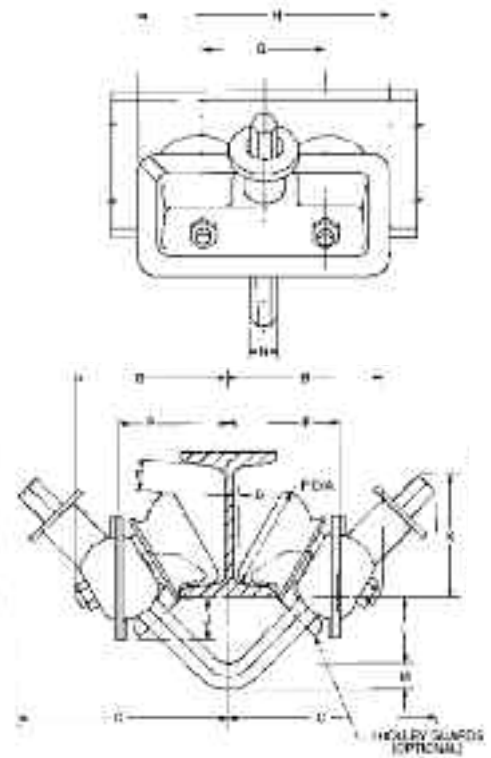
- Negotiates radius curves as tight as 7"
- Made of the highest quality rolled steel
- Unique double row, ball bearing wheel design provides five times greater wear capacity
- Larger V-bars available for wider flange adjustment
- For low headroom applications
- Bearings pre-packed with lifetime lubricant
- Exclusive Dial-Fit collar quickly adapts trolley to a wide range of beams and patented rails
- Dust covers shield and protect bearings
- Trolleys available for larger beams, rails and tracks; contact factory
- Cast iron trolley guards available (except for 3 ton)
- Lifetime Warranty

### A Compact Close Radius Trolley

With revolutionary advances, this shorter, more compact trolley is 50% lighter than competitive trolleys, yet every bit as tough.

## Specifications & Dimensions

| Capacity* | Model # | Adj. for standard S-beam |                 | Tread diameter | Net weight | Ship Weight | Min. Radius Curve |
|-----------|---------|--------------------------|-----------------|----------------|------------|-------------|-------------------|
|           |         | Depth of Beam            | Flange width    |                |            |             |                   |
| tons      |         | in                       | in              | in             | lbs        | lbs         | in                |
| 1/4 & 1/2 | B3222   | 4-12                     | 2-5/8 to 5-1/16 | 2-3/4          | 9          | 11          | 7                 |
| 1         | B3224   | 4-12                     | 2-5/8 to 5-1/16 | 2-3/4          | 10         | 12          | 7                 |
| 1-1/2 & 2 | B3226   | 6-15                     | 3-3/8 to 5-5/8  | 3-1/2          | 23         | 25          | 10                |
| 3         | B3230   | 8-18                     | 4 to 6-1/4      | 3-1/2          | 29         | 32          | 10                |



| Capacity** | Model # | B      | C      | D     | E      | F     | G     | H  | J     | K       | L       | M     | N     | P       | Q   | R     |
|------------|---------|--------|--------|-------|--------|-------|-------|----|-------|---------|---------|-------|-------|---------|-----|-------|
| tons       |         | in     | in     | in    | in     | in    | in    | in | in    | in      | in      | in    | in    | in      | in  | in    |
| 1/4 & 1/2  | B3222   | 4-1/4  | 5-7/8  | 3/16  | 13/16  | 2-3/4 | 3-3/8 | 7  | 1-1/8 | 3-3/8   | 1-13/16 | 11/16 | 7/8   | 3       | -   | -     |
| 1          | B3224   | 4-3/8  | 6      | 3/16  | 13/16  | 2-3/4 | 3-3/8 | 7  | 1-1/8 | 3-1/2   | 1-5/8   | 7/8   | 1     | 3-1/8   | -   | -     |
| 1-1/2 & 2  | B3226   | 5-5/8  | 7-1/2  | 3/8   | 2-3/16 | 3-1/2 | 4-1/2 | 9  | 1-1/2 | 4-3/8   | 2       | 1-1/8 | 1-1/4 | 3-7/8   | -   | -     |
| 3          | B3230   | 6-3/16 | 8-1/16 | 11/16 | 4-1/16 | 3-1/2 | 4-1/2 | 9  | 1-5/8 | 4-13/16 | 2-5/8   | 1-1/8 | 1-1/4 | 4-15/16 | 1/8 | 1-7/8 |

\* All capacities can be supplied for S-beams larger than listed and also for wide flange beams, rails or track with approximately equivalent flange widths

\*\* Dimensions given are for minimum S-beam and will vary with larger beams

## Push and Hand-Geared Trolleys



- Capacities 1/4 - 25 tons
- Heavy rolled steel side frames extend beyond the wheels providing superior strength and added protection for trackwheels
- Thick section steel clevis suspended from steel equalizer pin. Alloy steel axles and equalizer pins are heat treated for maximum strength and wear life.
- Trolley wheels are fully machined from alloy cast iron and hardened for high strength and long service life. Units 1/4 through 16 tons employ universal wheel treads for use on flat or tapered beam flanges. 25 ton model operates on American Standard I-beams with tapered flanges. For patented track, consult factory.
- Lifetime lubricated, precision ball bearings standard on units through 3 ton capacity. 4 ton trolleys and greater feature eight, sealed Timken, tapered roller bearings and grease fittings.
- On hand-gearred models, a hand chain operated wheel turns a machined steel drive pinion, engaging the two geared wheels.

## Specifications & Dimensions

| Capacity<br>tons | Model #   |           | Beam Height<br>in | Flange Width<br>in | Minimum Radius Curve<br>in | Net Weight<br>lbs |        |
|------------------|-----------|-----------|-------------------|--------------------|----------------------------|-------------------|--------|
|                  | Plain     | Geared    |                   |                    |                            | Plain             | Geared |
| 1/4              | 1641-0025 | 1642-0025 | 4-12              | 2.66-5.00          | 20                         | 23                | 38     |
| 1/2              | 1641-0050 | 1642-0050 | 4-12              | 2.66-5.00          | 20                         | 23                | 38     |
| 1                | 1641-0100 | 1642-0100 | 5-12              | 3.00-6.00          | 24                         | 43                | 62     |
| 1-1/2            | 1641-0150 | 1642-0200 | 5-12              | 3.00-6.00          | 24                         | 45                | 65     |
| 2                | 1641-0200 | 1642-0300 | 6-18              | 3.33-6.25          | 30                         | 67                | 90     |
| 3                | 1641-0300 | 1642-0400 | 6-18              | 3.33-6.25          | 30                         | 70                | 93     |
| 4                | 1641-0400 | 1642-0500 | 8-24              | 4.00-7.00          | 36                         | 155               | 184    |
| 5                | 1641-0500 | 1642-0600 | 8-24              | 4.00-7.00          | 36                         | 160               | 188    |
| 6                | 1641-0600 | 1642-0800 | 8-24              | 4.00-7.00          | 36                         | 160               | 188    |
| 8                | 1641-0800 | 1642-1000 | 10-24             | 4.62-8.00          | 60                         | 300               | 347    |
| 10               | 1641-1000 | 1642-1200 | 10-24             | 4.62-8.00          | 60                         | 310               | 360    |
| 12               | 1641-1200 | 1641-1600 | 10-24             | 4.62-8.00          | 60                         | 310               | 360    |
| 16               | 1641-1600 | 1641-1600 | 18-24             | 6.00-8.00          | 96                         | 800               | 895    |
| 20               | 1642-2000 | 1642-2000 | 18-24             | 6.00-8.00          | 96                         | 845               | 955    |
| 25               | 1631-2500 | 1632-2500 | 18-24             | 6.00-8.00          | 120                        | 1045              | 1200   |

Note: Wheels with convex treads are standard on all capacities 1/4 - 20, 20, 25, 30 and 40 ton trolleys can be furnished in tandem construction - Dimensions for 30 through 50 ton upon request. Dimensions shown are for minimum beam size and will vary proportionately for larger beams.

| Capacity<br>tons | A<br>in | B<br>in | C<br>in | D<br>in | E<br>in | F<br>in | G<br>in | H<br>in  | I<br>in | J<br>in | K<br>in  | L<br>in | M<br>in | N<br>in | O<br>in | P<br>in |
|------------------|---------|---------|---------|---------|---------|---------|---------|----------|---------|---------|----------|---------|---------|---------|---------|---------|
| 1/4              | 11-1/2  | 6       | 1-7/8   | 4-7/8   | 7/8     | 1-3/4   | 2-3/4   | 6        | -       | 7/8     | 4        | 2-7/8   | 1       | 1/4     | 2       | 4-1/8   |
| 1/2              | 11-1/2  | 6       | 1-7/8   | 4-7/8   | 7/8     | 1-3/4   | 2-3/4   | 6        | -       | 7/8     | 4        | 2-7/8   | 1       | 1/4     | 2       | 4-1/8   |
| 1                | 13-1/4  | 6-3/4   | 2-1/4   | 5-3/8   | 1       | 1-3/4   | 3       | 6-1/8    | -       | 1-1/8   | 5        | 3-3/4   | 1-1/4   | 1/4     | 1-3/4   | 4-3/4   |
| 1-1/2            | 13-1/4  | 6-3/4   | 2-1/4   | 5-3/8   | 1       | 2       | 3-1/4   | 6-1/8    | -       | 1-1/8   | 5        | 3-3/4   | 1-1/4   | 3/8     | 1-3/4   | 4-3/4   |
| 2                | 15-5/8  | 7-5/8   | 2-5/8   | 6-3/4   | 1-1/8   | 2-1/8   | 3-5/8   | 6-1/8    | -       | 1-1/8   | 6        | 4-1/2   | 1-1/2   | 3/8     | 2-1/8   | 5-1/4   |
| 3                | 15-5/8  | 7-5/8   | 2-5/8   | 6-7/8   | 1-1/8   | 2-1/4   | 4       | 6-1/8    | -       | 1-1/8   | 6        | 4-1/2   | 1-1/2   | 1/2     | 2-1/8   | 5-1/4   |
| 4                | 18-3/4  | 8-1/2   | 3-1/4   | 8-3/8   | 1-1/4   | 2-3/4   | 4-3/4   | 8-1/8    | 1/8     | 1-3/8   | 8        | 6-3/8   | 2       | 5/8     | 2-5/8   | 6-1/8   |
| 5                | 18-3/4  | 8-1/2   | 3-1/4   | 8-5/8   | 1-1/4   | 3       | 5-1/2   | 8-1/8    | 1/8     | 1-3/8   | 8        | 6-3/8   | 2       | 5/8     | 2-5/8   | 6-1/8   |
| 6                | 18-3/4  | 8-1/2   | 3-1/4   | 8-5/8   | 1-1/4   | 3       | 5-1/2   | 8-1/8    | 1/8     | 1-3/8   | 8        | 6-3/8   | 2       | 5/8     | 2-5/8   | 6-1/8   |
| 8                | 23-5/8  | 10-5/8  | 3-7/8   | 10-5/8  | 1-3/8   | 3-1/2   | 6-1/2   | 9        | 1/8     | 1-11/16 | 10       | 8-1/4   | 2-1/2   | 3/4     | 3-1/4   | 6-7/8   |
| 10               | 23-5/8  | 10-5/8  | 3-7/8   | 11-1/8  | 1-3/8   | 4-1/2   | 8       | 9        | 1/8     | 1-11/16 | 10       | 8-1/4   | 2-1/2   | 1       | 3-1/4   | 6-7/8   |
| 12               | 23-5/8  | 10-5/8  | 3-7/8   | 11-1/8  | 1-3/8   | 4-1/2   | 8       | 9        | 1/8     | 1-11/16 | 10       | 8-1/4   | 2-1/2   | 1       | 3-1/4   | 6-7/8   |
| 16               | 28      | 12      | 4-3/4   | 13-3/4  | 1-7/16  | 4       | 9       | 10-11/16 | 1/4     | 1-3/4   | 11-11/16 | 9-3/4   | 3-1/4   | 1-1/4   | 4-5/8   | 7-5/8   |
| 20               | 28      | 12      | 4-3/4   | 16-3/4  | 1-7/16  | 4-1/2   | 10      | 10-11/16 | 1/4     | 1-3/4   | 11-11/16 | 9-3/4   | 3-1/4   | 1-1/4   | 4-5/8   | 7-5/8   |
| 25               | 28-1/4  | 14      | 5-7/8   | 16-3/4  | 2-1/8   | 4       | 10      | 14-1/2   | 5/16    | 2       | 13-1/2   | 11-3/4  | 3-1/4   | 1-3/4   | 7       | 8-1/4   |

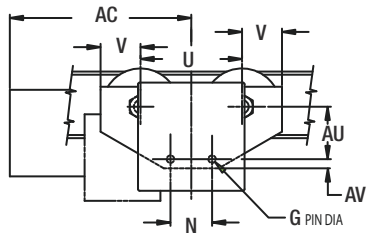
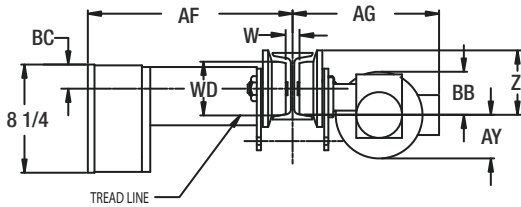
Note: For wide flange beam adaptation, patented track or for beams larger than standard consult factory. For geared trolley weight is shown less chain. 8ft standard zinc plated hand chain drop on geared trolley. Specify curve on order

# Motor Driven Trolley

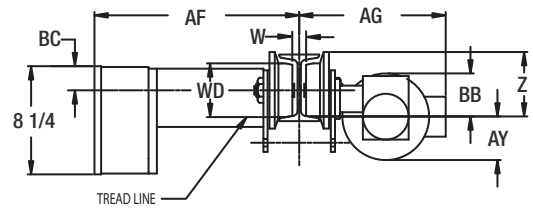


- Steel frame side plates extend beyond the wheels for end stop contacts. Side plates have tapped holes for collector bracket attachment. Optional safety drop stops and bumpers.
- Wheels are forged heat-treated steel with contour tread for use on American Standard I-beam or wide flange beams.
- Traverse motor is 30-minute rated, totally enclosed non-ventilated with class “F” insulation and TAS as standard.
- Traverse gearing is housed in a heavy duty right angle drive reducer with output pinion meshing with machine cut wheel gears.
- Trolley controls are housed in a NEMA 1 enclosed panel mounted on the trolley side for easy access. The controls include a reversing contractor, terminal strip and NEMA 4X pendant station with hoist and trolley push-button controls as standard.

## 1/4 to 1 & 2 ton

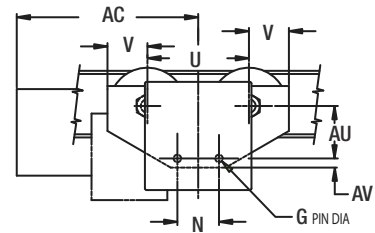


## 3 ton



## Specifications & Dimensions

| Capacity | Model # | Standard Width Adjustment | Optional Flange Extended Adjustment |                 | Trolley Speed | Optional Standard Speeds | Special Speed | Motor |
|----------|---------|---------------------------|-------------------------------------|-----------------|---------------|--------------------------|---------------|-------|
|          |         |                           | 1st Extension                       | 2nd Extension   |               |                          |               |       |
| tons     |         | in                        | in                                  | in              | FPM           | FPM                      | FPM           | HP    |
| 1/4 to 1 | MDT01   | 3 to 5                    | 5-1/8 to 7-1/4                      | 7-1/2 to 9-1/8  | 75            | 50 & 100                 | 25, 150       | 1/4   |
| 2        | MDT02   | 3-5/8 to 6                | 6-1/4 to 8-5/8                      | 8-7/8 to 11-1/4 | 60            | 40 & 80                  | 30, 120       | 1/4   |
| 3        | MDT03   | 4 to 6-1/4                | 6-3/8 to 8-5/8                      | 8-3/4 to 11     | 50            | 75 & 100                 | 25, 125       | 1/4   |



| Capacity | Model # | AC     | AF Max   | AG Max | AU    | AV      | AY      | BB Max | BC      | G Dia | N     | U     | V     | Z     | WD | Min Radius |
|----------|---------|--------|----------|--------|-------|---------|---------|--------|---------|-------|-------|-------|-------|-------|----|------------|
| tons     |         | in     | in       | in     | in    | in      | in      | in     | in      | in    | in    | in    | in    | in    | in | ft.        |
| 1/4 to 1 | MDT01   | 12     | 16-7/8   | 12-1/2 | 3-7/8 | 3/4     | 2-9/16  | 3-1/8  | 1-13/16 | 5/8   | 3-1/8 | 7-3/4 | 3     | 4-7/8 | 4  | 3          |
| 2        | MDT02   | 12     | 16-7/8   | 12-1/2 | 4-1/8 | 1-15/16 | 1-15/16 | 2-1/16 | 2-7/16  | 1     | 5     | 9-1/8 | 3     | 4-7/8 | 4  | 5          |
| 3        | MDT03   | 13-1/2 | 16-13/16 | 5-7/8  | 4-1/2 | 1-3/8   | -       | -      | 2-1/8   | 1-1/4 | 6     | 9-1/8 | 3-1/4 | 4-7/8 | 4  | 5          |

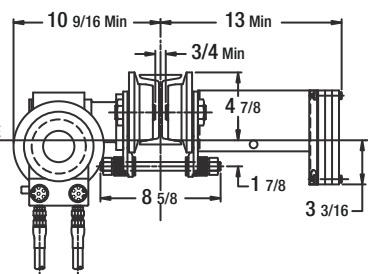
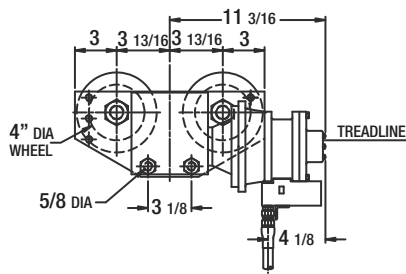
Always specify voltage when ordering. Voltages available: 115/230-1-60, 208-230/460-3-60, 575-3-60  
 115/230-1-60 is not available on trolleys for two speed hoists or two speed trolley.  
 Two speed trolleys have a 3:1 speed ratio. Standard pendant drop from trolley is 7 feet. Longer cables are available.  
 Trolleys are equipped with 3-foot length power supply cable. Longer lengths are available.



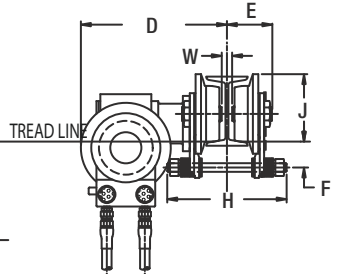
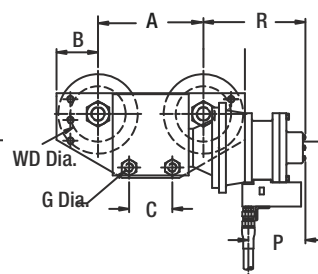


- Steel frame side plates extend beyond the wheels for end stop contacts. Side plates have tapped holes for optional safety drop stops & bumpers.
- Wheels are forged heat-treated steel with contoured tread for use on American Standard tapered or wide flange beams.
- Wheel bearings are sealed lifetime lubricated precision ball bearings
- Traverse gear reducer is rugged right angle drive reducer with output pinion meshing with machine cut wheel gears. The drive units are shipped with high-grade synthesized hydrocarbon oil for excellent gear protection and wide temperature range capacities.
- Eight vane air motor provides high torque, smooth starting and excellent control.
- Pendant throttle control provides precise, controlled spotting and efficient load handling.
- Spark resistant models are available for those areas where protection is needed in a hazardous environment. They contain all the same features except for the introduction of a spark resistant bronze wheel.
- Air consumption: 50 SCFM, Air pressure recommended: 90 PSI

## Series 2200



## Series 6000



## Specifications & Dimensions

| Capacity                        | Model # | Flange Width Adjustment | Inverse Speed | A     | B     | C     | Max D   | Max E | Min F  | Dia G | H     | Max J  | Max L   |
|---------------------------------|---------|-------------------------|---------------|-------|-------|-------|---------|-------|--------|-------|-------|--------|---------|
| tons                            |         | in                      | FPM           | in    | in    | in    | in      | in    | in     | in    | in    | in     | in      |
| <b>Standard Trolleys</b>        |         |                         |               |       |       |       |         |       |        |       |       |        |         |
| 1/4, 1/2, 1                     | 911706  | 3 to 5                  | 50            | 7-5/8 | 3     | 3-1/8 | 11-9/16 | 4-1/2 | 1-7/16 | 5/8   | 8-7/8 | 5-1/8  | 3-11/16 |
| 2                               | 911707  | 3-5/8 to 6              | 60            | 9-1/8 | 3     | 5     | 12-1/16 | 5     | 1-5/8  | 1     | 9-1/2 | 5-3/16 | 3-5/8   |
| 3                               | 911708  | 4 to 6-1/4              | 60            | 9-1/8 | 3-1/4 | 6     | 12-1/2  | 5     | 1-7/8  | 1-1/4 | 12    | 5-5/8  | 3-1/2   |
| <b>Spark Resistant Trolleys</b> |         |                         |               |       |       |       |         |       |        |       |       |        |         |
| 3/8, 1/2, 3/4                   | 911710  | 3 to 5                  | 50            | 7-5/8 | 3     | 3-1/8 | 11-9/16 | 4-1/2 | 1-7/16 | 5/8   | 8-7/8 | 5-1/8  | 3-11/16 |
| 1                               | 911711  | 3-5/8 to 6              | 60            | 9-1/8 | 3     | 5     | 12-1/16 | 5     | 1-5/8  | 1     | 9-1/2 | 5-3/16 | 3-5/8   |
| 2                               | 911712  | 4 to 6-1/4              | 60            | 9-1/8 | 3-1/4 | 6     | 12-1/2  | 5     | 1-7/8  | 1-1/4 | 12    | 5-5/8  | 3-1/2   |

| Capacity                        | Model # | P     | R     | Min W  | WD | Min Radius | Min Beam Depth | Flange Adjustment |                |                 | Net Weight |
|---------------------------------|---------|-------|-------|--------|----|------------|----------------|-------------------|----------------|-----------------|------------|
|                                 |         |       |       |        |    |            |                | Standard          | 1st Extension  | 2nd Extension   |            |
|                                 |         | in    | in    | in     | in | in         | in             | in                | in             | in              |            |
| <b>Standard Trolleys</b>        |         |       |       |        |    |            |                |                   |                |                 |            |
| 1/4, 1/2, 1                     | 911706  | 4-1/8 | 7-3/8 | 1/2    | 4  | 3'-0"      | 6              | 3 to 5            | 5-1/8 to 7-1/4 | 7-1/2 to 9-1/8  | 95         |
| 2                               | 911707  | 4-1/8 | 6-5/8 | 1-1/16 | 4  | 5'-0"      | 7              | 3-5/8 to 6        | 6-1/4 to 8-5/8 | 8-7/8 to 11-1/4 | 105        |
| 3                               | 911708  | 4-1/8 | 6-5/8 | 1-3/8  | 4  | 5'-0"      | 8              | 4 to 6-1/4        | 6-3/8 to 8-5/8 | 8-3/4 to 11     | 150        |
| <b>Spark Resistant Trolleys</b> |         |       |       |        |    |            |                |                   |                |                 |            |
| 3/8, 1/2, 3/4                   | 911710  | 4-1/8 | 7-3/8 | 1/2    | 4  | 3'-0"      | 6              | 3 to 5            | 5-1/8 to 7-1/4 | 7-1/2 to 9-1/8  | 95         |
| 1                               | 911711  | 4-1/8 | 6-5/8 | 1-1/16 | 4  | 5'-0"      | 7              | 3-5/8 to 6        | 6-1/4 to 8-5/8 | 8-7/8 to 11-1/4 | 105        |
| 2                               | 911712  | 4-1/8 | 6-5/8 | 1-3/8  | 4  | 5'-0"      | 8              | 4 to 6-1/4        | 6-3/8 to 8-5/8 | 8-3/4 to 11     | 150        |

Equipped with 7 foot pendant control hose.  
 Always specify the hoist catalog number that will operate with the trolley.  
 Models for patented track with narrow flat tread steel wheels are available.  
 Models with extended beam flange adjustment are available.

## Budgit Hoists Offers

In addition to the diverse line of hoists outlined in this catalog, Budgit Hoists offers an array of related products for lifting and pulling. Manual hoists with integral load limiters are prevalent in industrial settings. For construction and maintenance applications, lever tools may be used to secure loads during repair and positioning work. Special products such as spark-resistant hoist and trolley combinations are used in sensitive environments. The versatile products from Budgit Hoists are designed to tackle a variety of material handling needs with smooth, dependable efficiency.



**CM Series 622**  
Hand Chain Hoist  
Capacities 1/2 to 5 Ton

- Rugged steel frame construction
- Enclosed housing allows outdoor use
- Weston-type load brake requires no lubrication
- 2-stage gears and pinion
- Roller and ball bearings



**Budgit Series USA**  
Hand Chain Hoist  
Capacities 1/4 to 6 tons

- Standard lift 8' (other lifts available)
- Portable - light weight housing
- Overload device - standard
- One-piece steel load sprocket and sprocket gear
- Hook latches on all models
- Spark & corrosion resistant models
- A real "Made in America" competitor



**Budgit Series USA**  
Army-Type Hand Chain Hoist  
Capacities 1/4 to 6 tons

- Compact design for low headroom applications
- Same features as the Series USA hand chain hoist with the exception of substituting a lug suspension for the normal hook suspension
- Rigid mount trolleys available in push type or hand geared type

HAND CHAIN HOISTS



**CM Bandit**  
Ratchet Lever Hoist  
Capacities 3/4 to 6 Ton

- **LIGHTWEIGHT & COMPACT**  
CM Bandit hoist's portable design and 360° rotating handle makes it one of the most versatile on the market.
- **FAST SHIPPING – GUARANTEED**  
3/4 & 1-1/2 ton capacity Bandit hoists are guaranteed to ship in 3 days or less with our In-Stock Guarantee.
- **EASY IDENTIFICATION**  
CM SmartID is available standard on all CM Bandit ratchet lever hoists for the U.S. market - making it the world's first HMI-Certified ratchet lever hoist with RFID technology.
- Assembled in USA (U.S. model)
- Chain made in USA (U.S. model)
- Bolted-on hooks made in USA (3/4 and 1-1/2 ton U.S. model only)



**CM Series 653**  
Ratchet Lever Hoist  
Capacities 3/4 to 6 Ton

- Impact resistant, stamped steel frame, gear case & cover
- Light weight design
- Double-pawl arrangement for assured load control
- Weston-type braking system
- Shipyard hook option available



**CM Series 602 & 603**  
Mini Ratchet Lever Hoist  
Capacities 550 to 1100 lbs.

- Small compact design. Use in confined conditions
- Weston-type load brake
- Impact resistant, all steel frame
- Free wheeling feature
- Metric rated



**Single Girder Top-Running Components**  
Capacities up to 5 Tons

- Maximum bridge span up to 48' for dual drive configuration
- Push, hand-gear and motorized models available
- High strength ductile iron wheels are hardened to 220 BHN for long life
- Wheel variations allow truck to run on either ASE rail or square bar runways
- Long life worm gear drive reducer provides smooth acceleration and deceleration minimizing load swing
- Precision lifetime lubricated ball bearings
- Drive motors are NEMA design 30 minute rated TENV with class 'F' insulation with overload protection as standard
- Frame is robot welded for true alignment and rigidity



**Single Girder Under Running Components**  
Capacities up to 5 Tons

- Maximum bridge span up to 48' for 3 Ton dual drive and 36' for 5 Ton
- Push, hand-gear and motorized models available
- Long life steel wheels are hardened to 300 BHN. Dual contour tread allows for operation on either I beam or wide flange runways
- Spark resistant features available
- Long life worm gear drive reducer provides smooth acceleration and deceleration minimizing load swing.
- Precision lifetime lubricated ball bearings
- Girder pads allow for easy welded or bolted connection to bridge girder
- Drive motors are NEMA design 30 minute rated TENV with class 'F' insulation with overload protection as standard
- Frame is robot welded for true alignment and rigidity

# THE POWER OF INTELLIGENT LIFTING

Columbus McKinnon is one of the most respected and well-known names in the material handling industry. We combine two different yet complimentary areas of expertise – rigging products and hoists – to develop complete floor-to-ceiling lifting systems for even the most unique material handling applications.

Columbus McKinnon designs and manufactures a large portfolio of durable and reliable products for a variety of industries. Our portfolio includes powered and manual hoists, rigging products, below-the-hook attachments, cranes, enclosed track systems and specially engineered products.



## KNOW HOW. KNOW WHY. BE SAFE. GET TRAINED.



Not only is Columbus McKinnon a leader in material handling products, we are also a global leader in providing expertise and training on the proper use and inspection of rigging and overhead lifting equipment. With a range of comprehensive programs and seminars conducted at venues throughout North America, including our hands-on training centers and private companies, our courses include:

- Hoist Maintenance
- Crane & Hoist Inspection
- Crane Operator Training
- Safe Hoisting
- Load Securement
- Rigging
- Rigging Gear Inspection

One of our newest programs, **CMCO University™**, is a three-day course designed to give attendees an intimate knowledge of our products, the information they'll need to select the right product for the application, and the tools to win in the marketplace.

Classes are available at our state-of-the-art, hands-on training centers, including the **Niagara Training Center** and the **Hoist & Rigging Training Center of Excellence in the Center for Occupational Health and Automobile Manufacturing (COHAM) lab at The Ohio State University.**

Rely on Columbus McKinnon for the products and expertise you need to keep your workforce productive and safe.



USA: Ph: (800) 888.0985 • (716) 689.5400 • Fax: (716) 689.5644  
 CANADA: Ph: (877) 264.6478 • Fax: (877) 264.6477

