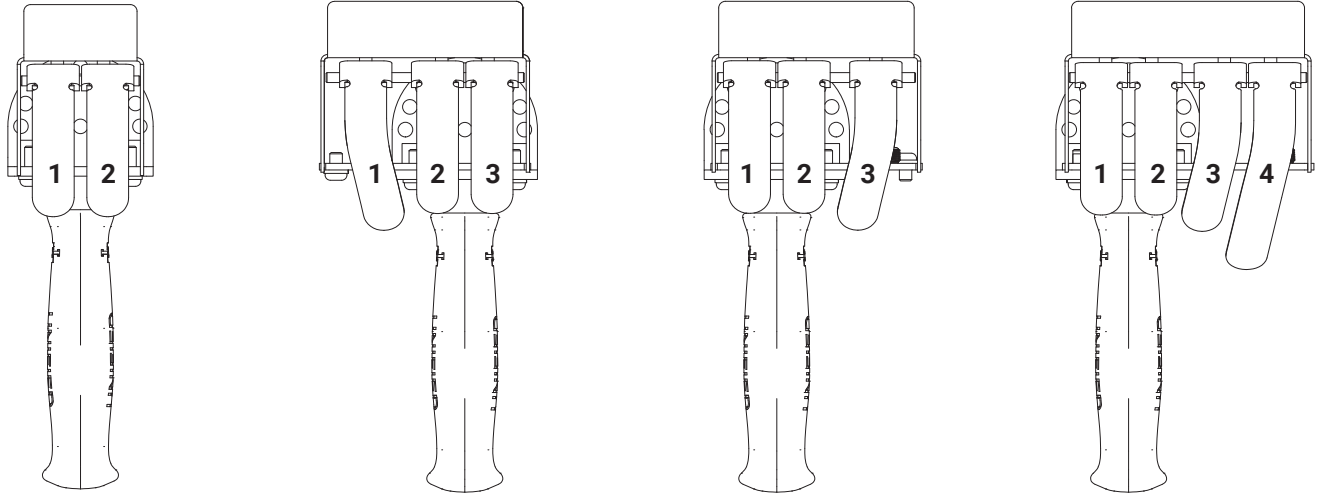




ORDERING INSTRUCTIONS FOR LEVER MARKINGS



Letter	Tag	Letter	Tag	Letter	Tag	Letter	Tag
A	Up	F	Low	K	No Part	Q	Clamp
B	Down	G	High	L	Tilt Up	R	Unclamp
C	Retract	H	Forward	M	Tilt Down	S	Rotate
D	Extend	I	Reverse	N	Vac On	T	Brake
E	Tilt	J	Part	P	Vac Off	U	Common

When ordering a pendant, you must indicate lever function tags for handles.

Example: 79629-1Q-2R-3L-4M

(Pneumatic 4-Button LH Pendant , Lever 1 - Clamp, Lever 2 - Unclamp, Lever 3 - Tilt Up, & Lever 4 - Tilt Down)



Phone: 517.546.3220 · Fax: 517.546.0696
www.columbusmckinnon.com/unified