



HANGER & END TRUCK DRILL JIG

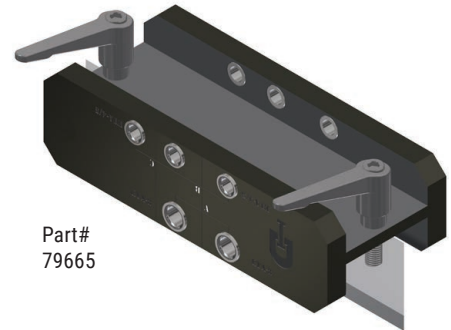
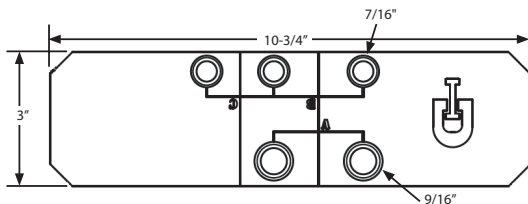
Hanging runway rails and bridges calls for precise measurement and can often be time consuming. The new Unified Hanger and End Truck Drill Jig can help. Whether you're hanging Unified rails from steel beams or attaching end trucks to bridge rails in the field, our unique Hanger and End Truck Jig significantly reduces installation time. Jig is designed for use with Unified ETA-4, 5, and 8 rail profiles.

HOW IT WORKS

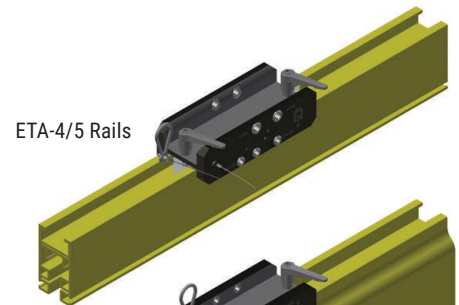
- 1 Simply put the jig on top of the rail where holes are needed.
- 2 Secure jig to the rail with its durable locking handles.
- 3 Reference the easy-to-read hole pattern guide to determine which holes to drill, depending on the Unified hanger or end truck you are installing.
- 4 Hang your rail or end truck. It's easy!

PRODUCT DETAILS

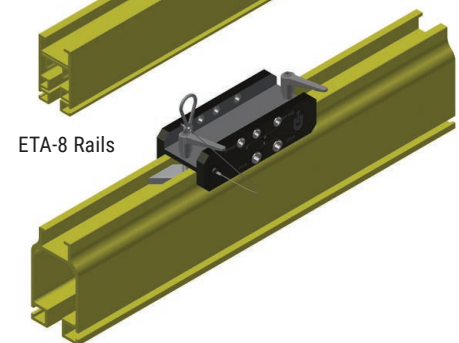
- Works on ETA-4, 5, and 8 profiles (Product does not work on ETA-3 rails.)
- Lightweight aluminum design
- Built to last with hardened drill guide bushings and anodized finish
- Safety tether included to prevent jig from falling during installation
- Includes part number chart for all Unified hangers and end trucks



Part#
79665



ETA-4/5 Rails



ETA-8 Rails



UNIFIED INDUSTRIES
A Columbus McKinnon Brand

Phone: 517.546.3220 · Fax: 517-546-0696
www.columbusmckinnon.com/unified