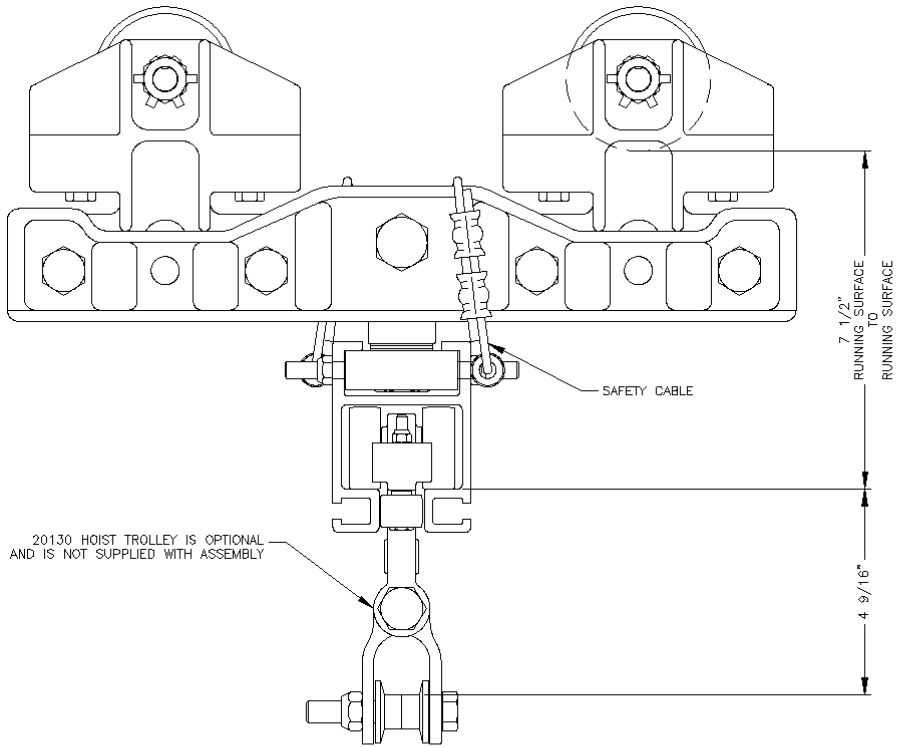
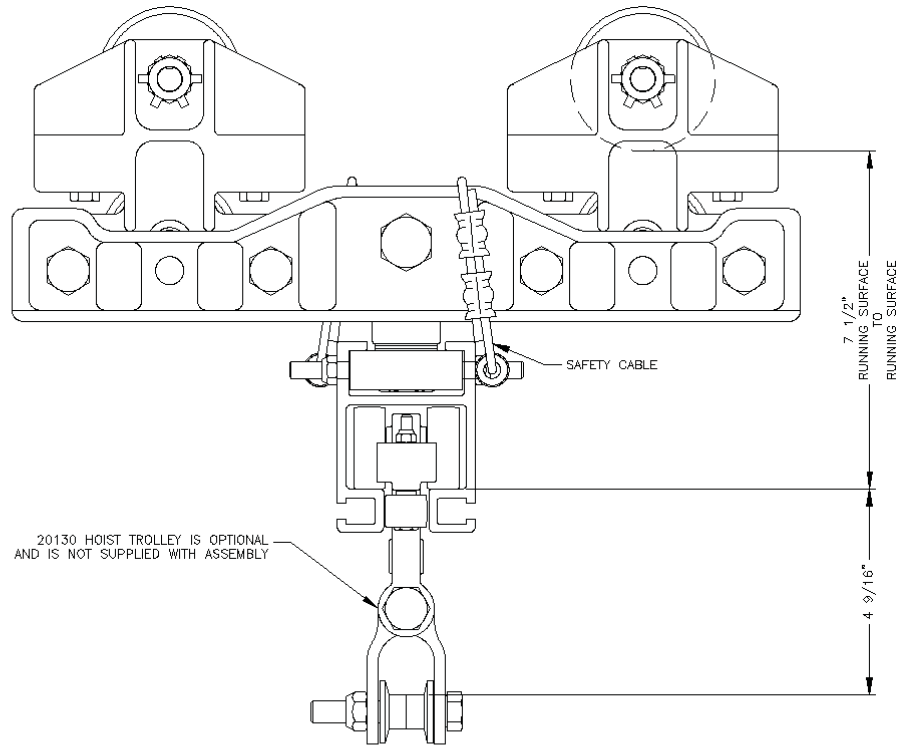


© Copyright 2010, Unified Industries, Inc. [www.unified-ind.com](http://www.unified-ind.com)



**END TRUCKS (WITHOUT KICKUP WHEELS)**  
 DUAL TROLLEY END TRUCK AT EACH END OF CRANE GIRDER.  
 RATED LOAD: 1000 lbs.  
 22557 MBC-500-3-325 END TRUCK TO RUN ON 3.25 PATENT TRACK.  
 22558 MBC-500-3-333 END TRUCK TO RUN ON S6x12.5.  
 22559 MBC-500-3-4-2.66 END TRUCK TO RUN ON S4x7.7.  
 WEIGHT: 32 LBS.



**END TRUCKS (WITH KICKUP WHEELS)**  
 DUAL TROLLEY END TRUCK AT EACH END OF CRANE GIRDER.  
 RATED LOAD: 1000 lbs.  
 22574 MBC-500-3-325 END TRUCK TO RUN ON 3.25 PATENT TRACK.  
 22575 MBC-500-3-333 END TRUCK TO RUN ON S6x12.5.  
 22576 MBC-500-3-4-2.66 END TRUCK TO RUN ON S4x7.7.  
 WEIGHT: 35 LBS.