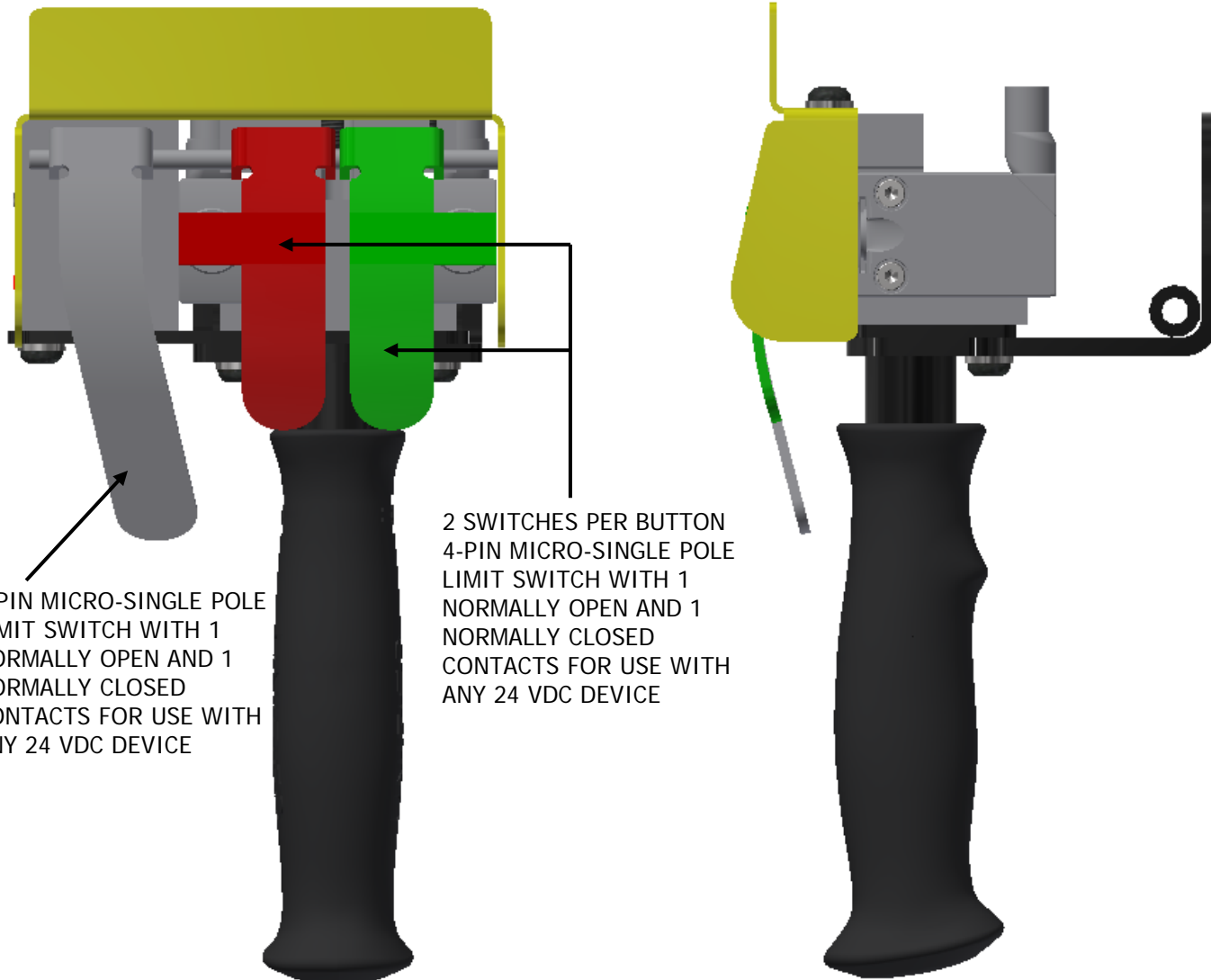


79723 – ELECTRIC TWO STEP HANDLE ASSEMBLY FOR UP/DN/COMMON



4-PIN MICRO-SINGLE POLE LIMIT SWITCH WITH 1 NORMALLY OPEN AND 1 NORMALLY CLOSED CONTACTS FOR USE WITH ANY 24 VDC DEVICE

2 SWITCHES PER BUTTON
4-PIN MICRO-SINGLE POLE LIMIT SWITCH WITH 1 NORMALLY OPEN AND 1 NORMALLY CLOSED CONTACTS FOR USE WITH ANY 24 VDC DEVICE

- LIMIT SWITCH DATA:
- PROTECTION RATING: IP69
 - SHOCK RESISTANCE: 25 GN
 - VIBRATION RESISTANCE: 5 GN
 - ELECTRICAL SHOCK PROTECTION: CLASS III IEC
 - TEMPERATURE RANGE: 32 TO 125 FF
 - HARDWARE TO BE SNUG TIGHT
 - ACCEPTS STANDARD M12 QUICK DISCONNECT CONNECTORS

