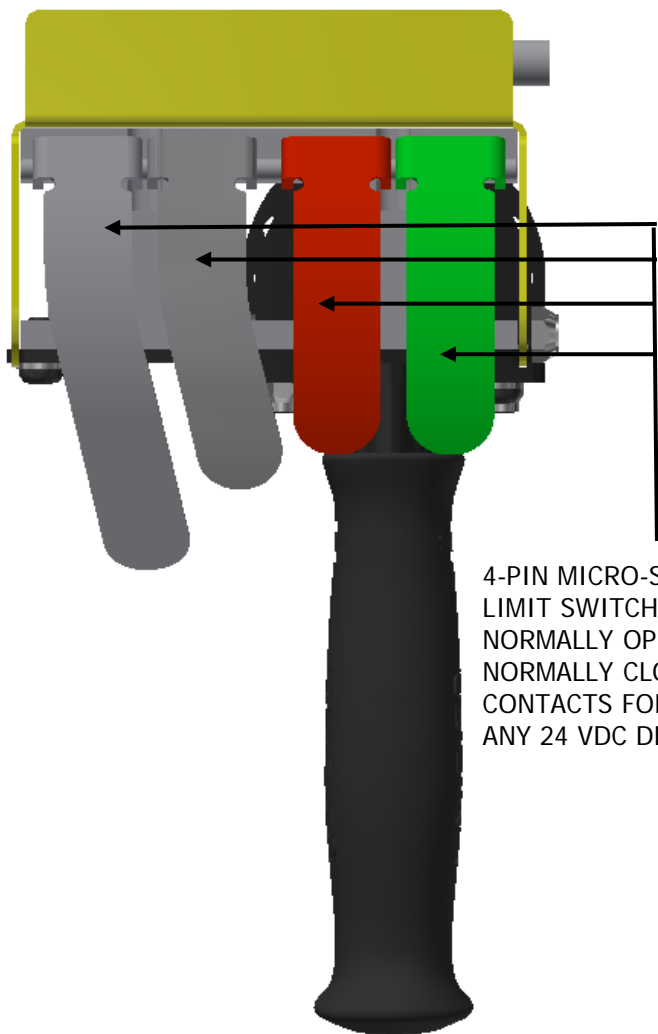
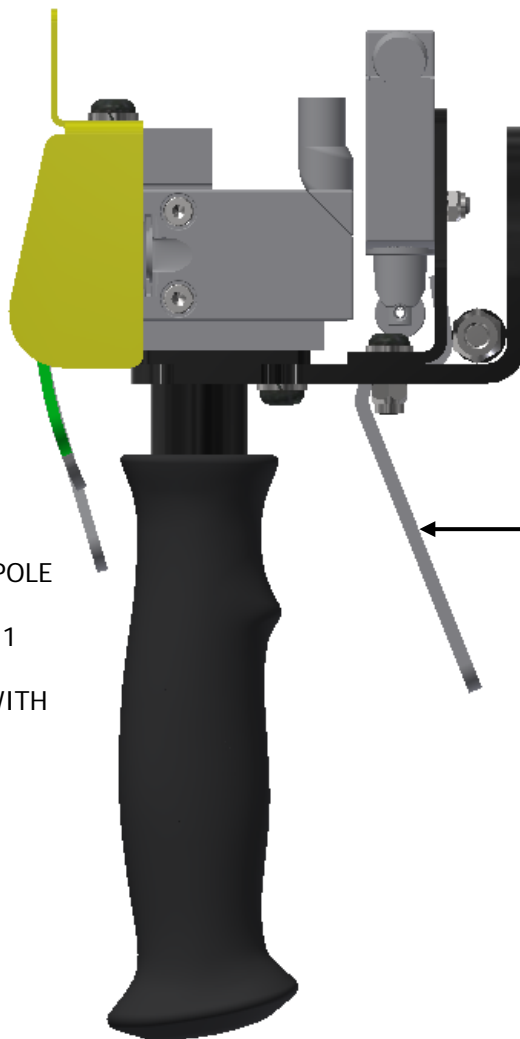


# 79717 – ELECTRIC FOUR BUTTON HANDLE ASSEMBLY FOR UP/DN RH WITH TRIGGER



4-PIN MICRO-SINGLE POLE LIMIT SWITCH WITH 1 NORMALLY OPEN AND 1 NORMALLY CLOSED CONTACTS FOR USE WITH ANY 24 VDC DEVICE



## LIMIT SWITCH DATA:

- PROTECTION RATING: IP69
- SHOCK RESISTANCE: 25 GN
- VIBRATION RESISTANCE: 5 GN
- ELECTRICAL SHOCK PROTECTION: CLASS III IEC
- TEMPERATURE RANGE: 32 TO 125 FF
- HARDWARE TO BE SNUG TIGHT
- ACCEPTS STANDARD M12 QUICK DISCONNECT CONNECTORS

4-PIN MICRO-SINGLE POLE LIMIT SWITCH WITH 1 NORMALLY OPEN AND 1 NORMALLY CLOSED CONTACTS FOR USE WITH ANY 24 VDC DEVICE

## LIMIT SWITCH CONTROLS:

