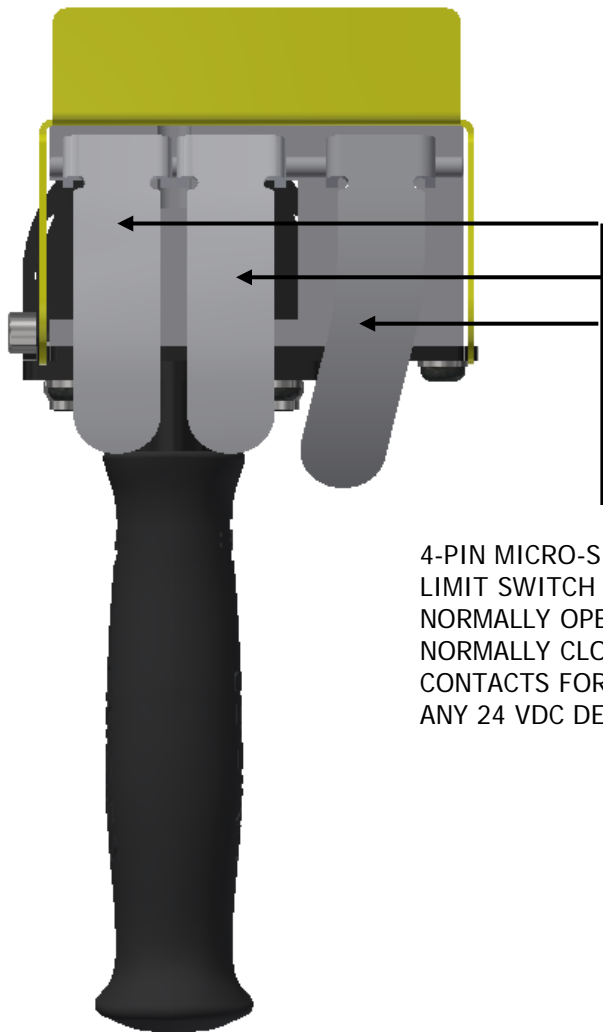
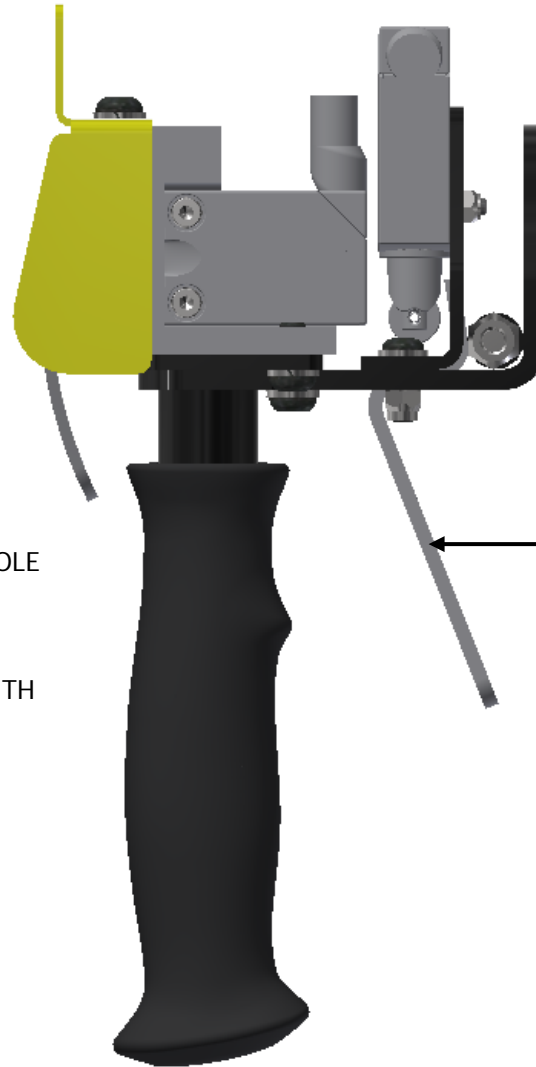


# 79714 – ELECTRIC THREE BUTTON HANDLE ASSEMBLY LH WITH TRIGGER



4-PIN MICRO-SINGLE POLE  
LIMIT SWITCH WITH 1  
NORMALLY OPEN AND 1  
NORMALLY CLOSED  
CONTACTS FOR USE WITH  
ANY 24 VDC DEVICE



## LIMIT SWITCH DATA:

- PROTECTION RATING: IP69
- SHOCK RESISTANCE: 25 GN
- VIBRATION RESISTANCE: 5 GN
- ELECTRICAL SHOCK PROTECTION:  
CLASS III IEC
- TEMPERATURE RANGE: 32 TO 125 FF
- HARDWARE TO BE SNUG TIGHT
- ACCEPTS STANDARD M12 QUICK  
DISCONNECT CONNECTORS

4-PIN MICRO-SINGLE POLE  
LIMIT SWITCH WITH 1  
NORMALLY OPEN AND 1  
NORMALLY CLOSED  
CONTACTS FOR USE WITH  
ANY 24 VDC DEVICE

## LIMIT SWITCH CONTROLS:

