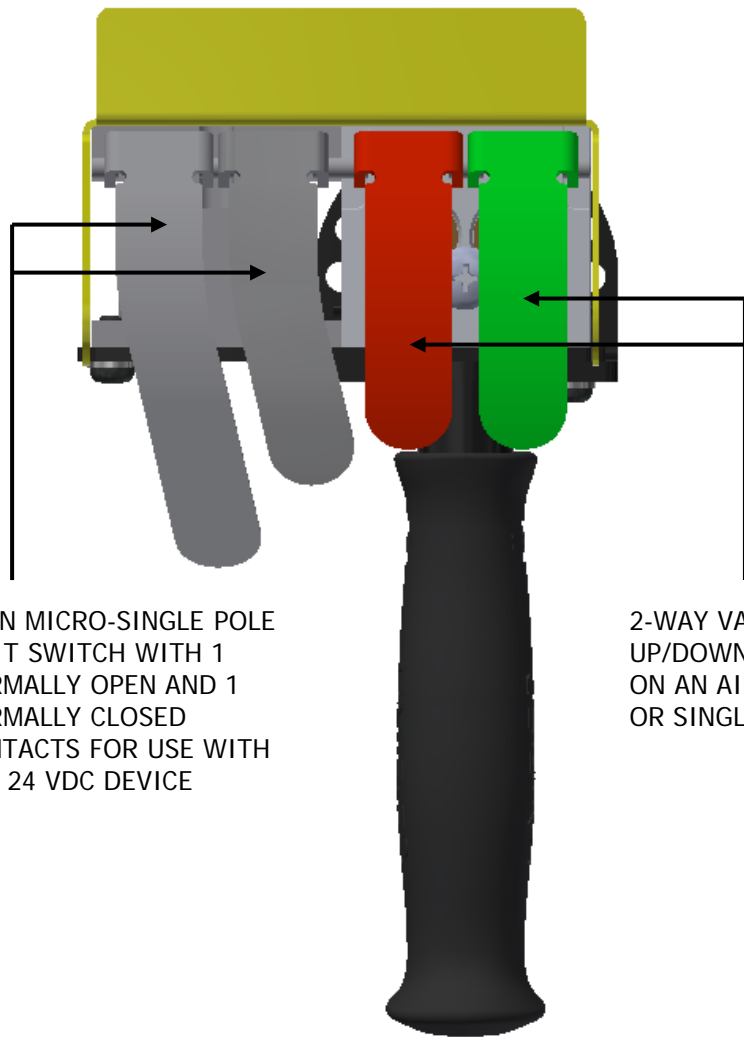
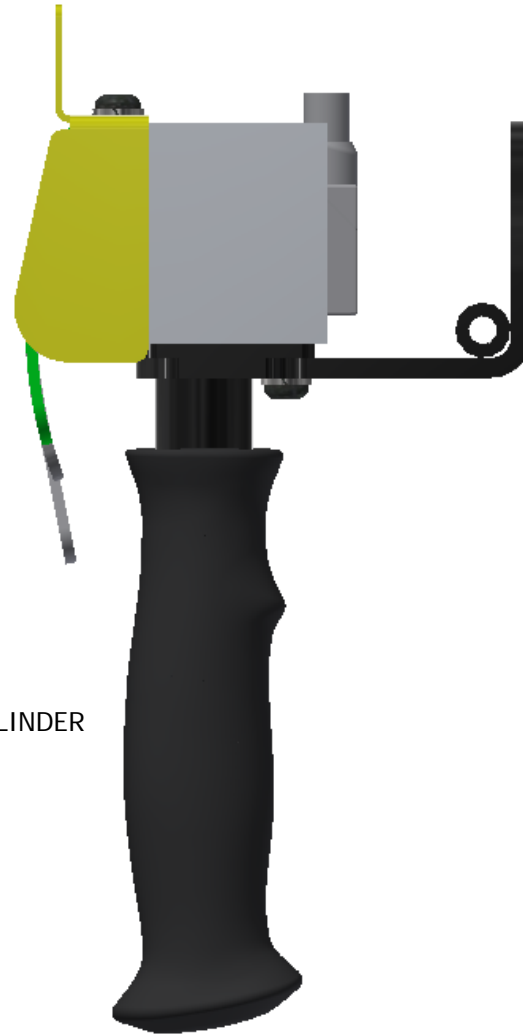


79710 – ELECTRIC PNEUMATIC FOUR BUTTON HANDLE ASSEMBLY FOR UP/DN RH



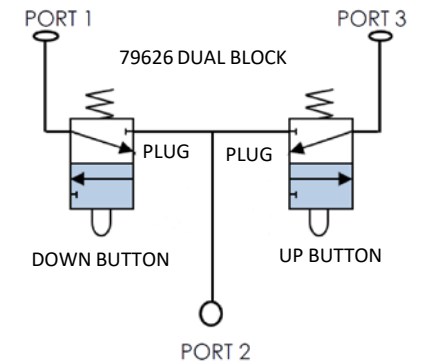
4-PIN MICRO-SINGLE POLE LIMIT SWITCH WITH 1 NORMALLY OPEN AND 1 NORMALLY CLOSED CONTACTS FOR USE WITH ANY 24 VDC DEVICE

2-WAY VALVE FOR UP/DOWN MOTION ON AN AIR BALANCER OR SINGLE ACTING CYLINDER



LIMIT SWITCH DATA:

- PROTECTION RATING: IP69
- SHOCK RESISTANCE: 25 GN
- VIBRATION RESISTANCE: 5 GN
- ELECTRICAL SHOCK PROTECTION: CLASS III IEC
- TEMPERATURE RANGE: 32 TO 125 FF
- HARDWARE TO BE SNUG TIGHT
- ACCEPTS STANDARD M12 QUICK DISCONNECT CONNECTORS
- MAX PRESSURE: 100PSI
- PORT 1: AIR SUPPLY
- PORT 2: UP/FILL
- PORT 3: DOWN/EXHAUST
- REQUIRES CLEAN DRY AIR



LIMIT SWITCH CONTROLS:

